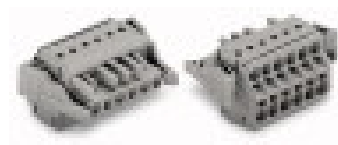


Printview: 2-conductor female connector; with locking levers; 3-pole; Pin spacing 5 mm / 0.197 in; codable; one latch only; Push-in CAGE CLAMP® Connection - Item No.: 231-2103/037-000



2-conductor female connector; with locking levers; 3-pole; Pin spacing 5 mm / 0.197 in; codable; one latch only; Push-in CAGE CLAMP® Connection

Item No.: 231-2103/037-000



2-conductor female connector; with locking levers; 3-pole; Pin spacing 5 mm / 0.197 in; codable; one latch only; Push-in CAGE CLAMP® Connection

Marking

RoHS ✓
Compliant

Business data

Supplier	WAGO
Item no.	231-2103/037-000
GTIN / EAN	4044918562942
Content	1
Order amount	50
Customer item number	

Notes

Item description: Universal connection for all conductor types Easy-to-use design does not require special tools Ability to wire while mated Simple, push-in termination of solid and ferruled stranded conductors Integrated test ports for testing parallel to conductor entry Coding option available

Technical data

Miscellaneous

Packaging type	BOX
Ratings per	IEC/EN 60664-1

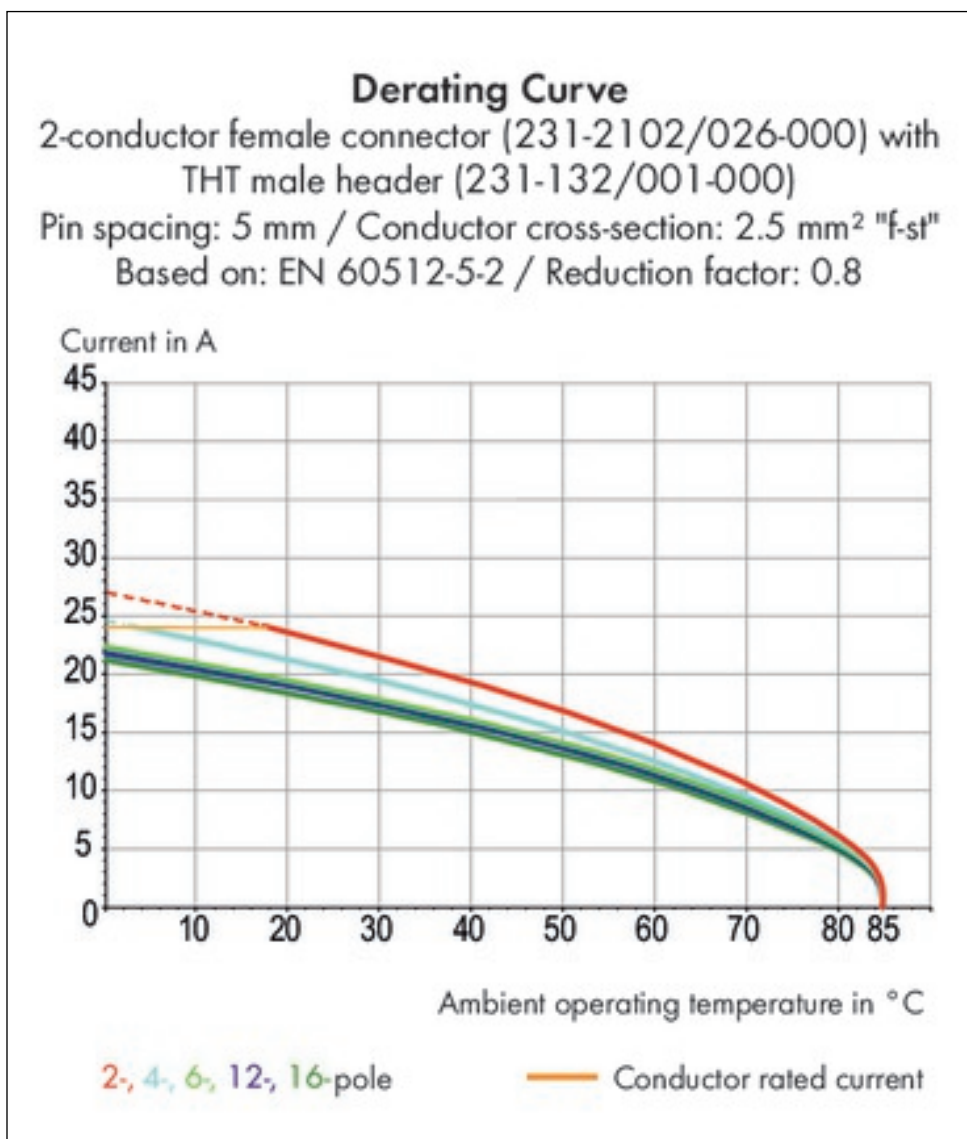
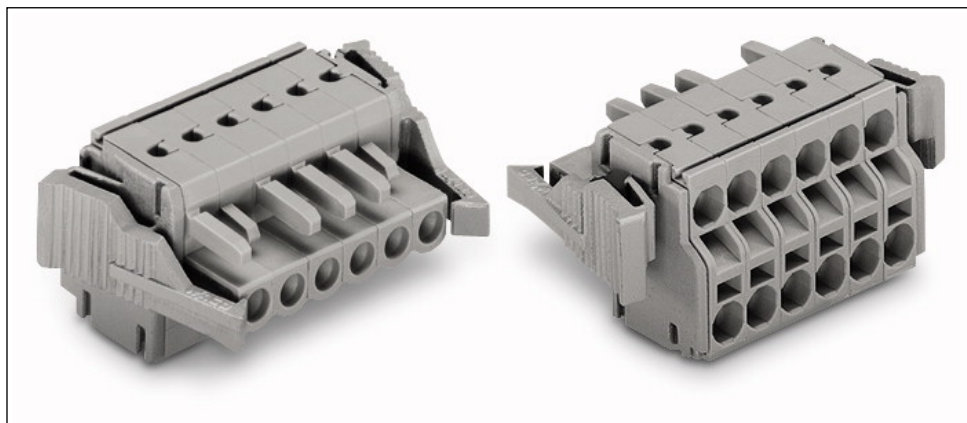
Printview: 2-conductor female connector; with locking levers; 3-pole; Pin spacing 5 mm / 0.197 in; codable; one latch only; Push-in CAGE CLAMP® Connection - Item No.: 231-2103/037-000

Technical data	
<i>Rated voltage (III / 3) [V]</i>	320 [V]
<i>Rated impulse voltage (III / 3) [kV]</i>	4 [kV]
<i>Rated voltage (III/2) [V]</i>	320 [V]
<i>Rated impulse voltage (III / 2) [kV]</i>	4 [kV]
<i>Rated voltage (II / 2) [V]</i>	630 [V]
<i>Rated impulse voltage (II / 2) [kV]</i>	4 [kV]
<i>Rated current [A]</i>	16 [A]
<i>Legend (ratings)</i>	(III / 2) Overvoltage category III / Pollution degree 2
<i>Approvals per</i>	UL 1059
<i>Rated voltage UL (Use Group B) [V]</i>	300 [V]
<i>Rated current UL (Use Group B) [A]</i>	20 [A]
<i>Rated voltage UL (Use Group D) [V]</i>	300 [V]
<i>Rated current UL (Use Group D) [A]</i>	10 [A]
<i>Rated voltage CSA (Use Group B) [V]</i>	300 [V]
<i>Rated current CSA (Use Group B) [A]</i>	15 [A]
<i>Rated voltage CSA (Use Group D) [V]</i>	300 [V]
<i>Rated current CSA (Use Group D) [A]</i>	10 [A]
<i>Total number of potentials</i>	3
<i>Number of connection types</i>	1
<i>Number of levels</i>	1
<i>Connection technology</i>	Push-in CAGE CLAMP®
<i>Number of connection points (connection type)</i>	2
<i>Actuation type</i>	Operating tool
<i>Solid conductor</i>	0.2 ... 2.5 mm ² / 24 ... 12 AWG
<i>Fine-stranded conductor</i>	0.2 ... 2.5 mm ² / 24 ... 12 AWG
<i>Fine-stranded conductor with ferrule with plastic collar</i>	0.25 ... 1.5 mm ² / ...
<i>Fine-stranded conductor with ferrule without plastic collar</i>	0.25 ... 2.5 mm ² / ...
<i>Strip length</i>	9 ... 10 mm / 0.35 ... 0.39 Inch
<i>Pin spacing</i>	5 mm (0.197 in)
<i>Width</i>	31.55 mm / 1.242 Inch
<i>Height</i>	20.8 mm / 0.819 Inch
<i>Depth</i>	29.8 mm / 1.173 Inch
<i>No. of poles</i>	3
<i>Contact type (pluggable connector)</i>	Female connector/socket

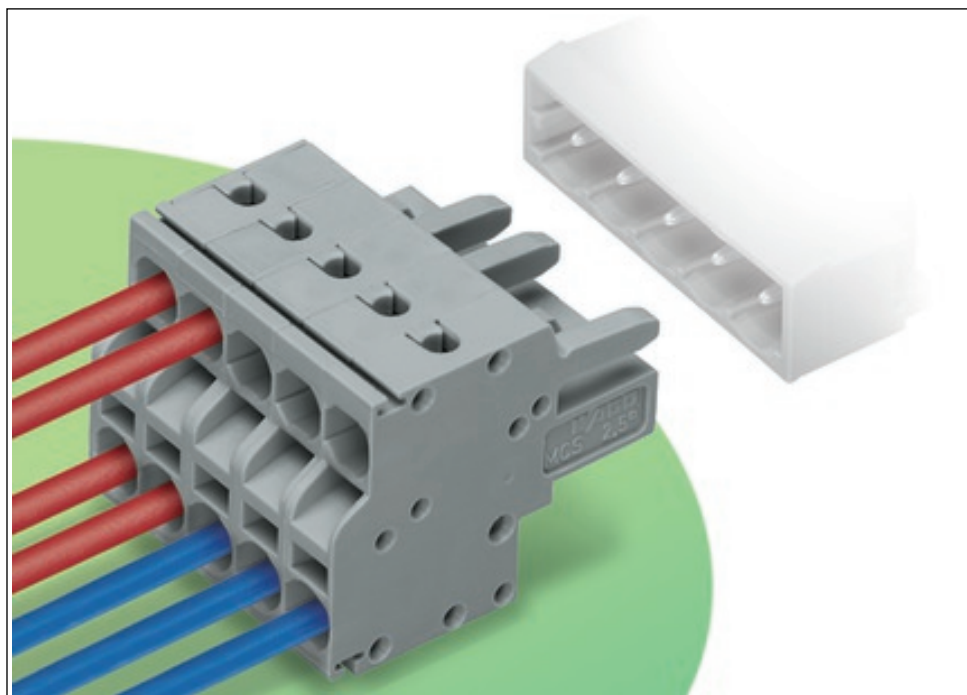
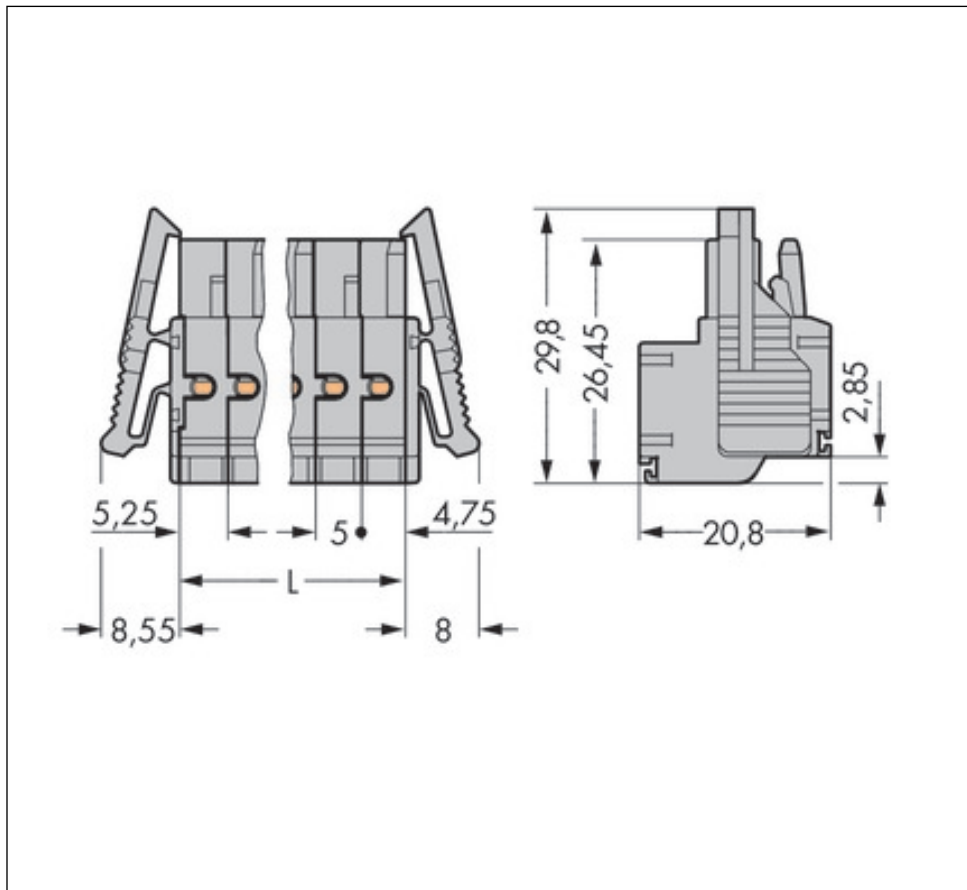
Printview: 2-conductor female connector; with locking levers; 3-pole; Pin spacing 5 mm / 0.197 in; codable; one latch only; Push-in CAGE CLAMP® Connection - Item No.: 231-2103/037-000

Technical data	
<i>Connector connection type</i>	<i>for conductors</i>
<i>Locking of plug-in connection</i>	<i>locking lever</i>
<i>Total number of connection points</i>	<i>6</i>
<i>Color</i>	<i>gray</i>
<i>Material group</i>	<i>I</i>
<i>Insulating material</i>	<i>Polyamide 66 (PA 66)</i>
<i>Flammability class per UL94</i>	<i>V0</i>
<i>Clamping spring material</i>	<i>Chrome nickel spring steel (CrNi)</i>
<i>Contact material</i>	<i>Copper alloy</i>
<i>Contact plating</i>	<i>tin-plated</i>
<i>Fire load [MJ]</i>	<i>0.158 [MJ]</i>
<i>RoHS Conformity</i>	<i>1</i>
<i>Weight [g]</i>	<i>8.29 [g]</i>
<i>Limit temperature range</i>	<i>-60 ... 85 °C</i>

Images & drawings



Printview: 2-conductor female connector; with locking levers; 3-pole; Pin spacing 5 mm / 0.197 in; codable; one latch only; Push-in CAGE CLAMP® Connection - Item No.: 231-2103/037-000



Printview: 2-conductor female connector; with locking levers; 3-pole; Pin spacing 5 mm / 0.197 in; codable; one latch only; Push-in CAGE CLAMP® Connection - Item No.: 231-2103/037-000

Address

WAGO Kontakttechnik GmbH & Co. KG

Hansastr. 27

32423 Minden

Telefon: 0571/887-0

Fax: 0571/887-169

<http://www.wago.com>

© WAGO Kontakttechnik GmbH & Co. KG

Technische Änderungen und Irrtümer vorbehalten.