



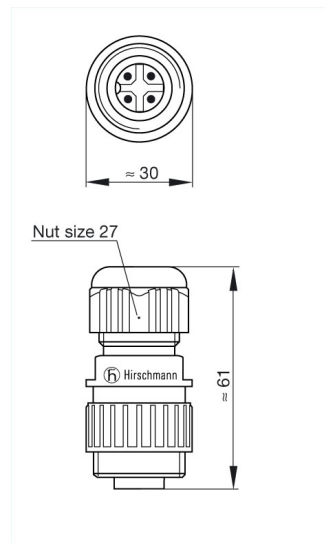
## CA 3 LS

Industrial Connectors: Circular connectors CA series: Cable plug and panel-mounted connector

### Product description

Description	Straight cable plug, integrated strain relief
Type	CA 3 LS
Order No.	934 124-100
Number of contacts	3 + PE
Cable gland	M 22x2
Cable diameter	6 mm to 12 mm
Conductor size	max. 2.5 mm <sup>2</sup>
Housing Color	black

### Drawing



### Technical data

Pin dimensions	2 mm
Rated voltage	DC 250 V / AC 400 V
Rated current	DC 10 A / AC 16 A
Contact resistance	≤ 3 mOhm
Type of termination	screw

### Material

Contact surface material	Ag
Contact bearer material	PA 66-GF 25
Housing material	PA 66-GF 25
O-Ring	NBR

### Environmental conditions

Protection class (IEC 60529)	IP 67
Pollution severity	3
Temperature range	-40 °C to +90 °C

### Inflammability class

Flammability, UL standard	94 V-0
---------------------------	--------

### Approvals

UL	UL
VDE	VDE
<b>Packaging unit</b>	
Packaging unit	100 pieces
<b>Scope of delivery and accessories</b>	
Scope of delivery	1 cable plug, not assembled, assembly instructions
Accessories to order separately	can be plugged into CA 3 LD, CA 3 GD; cap CA 00 SD 1, order no. 831 530-400