

REV.	DESCRIPTION	DRAWN	DATE
1	INITIAL RELEASE	FROS	2020/07/27
2	ECR2000013	FROS	2020/08/27

**SPECIFICATION:**

**1. ELECTRICAL**

- 1.1 Current Rating: 0.5A
- 1.2 Voltage Rating: 10V
- 1.3 Contact Resistance: 40mΩ
- 1.4 Insulation Resistance: 100MΩ
- 1.5 Dielectric Withstanding Voltage: 500VAC

**2. MECHANICAL**

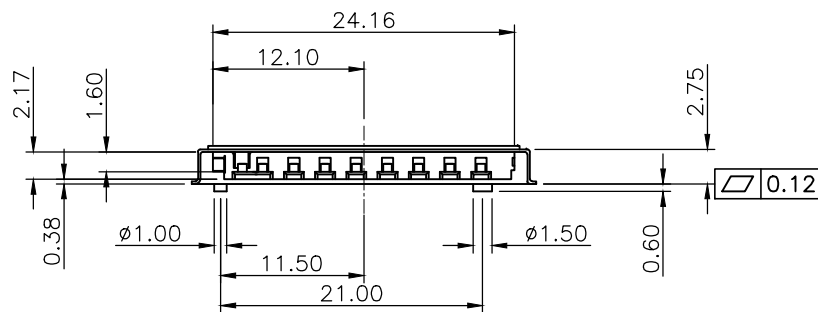
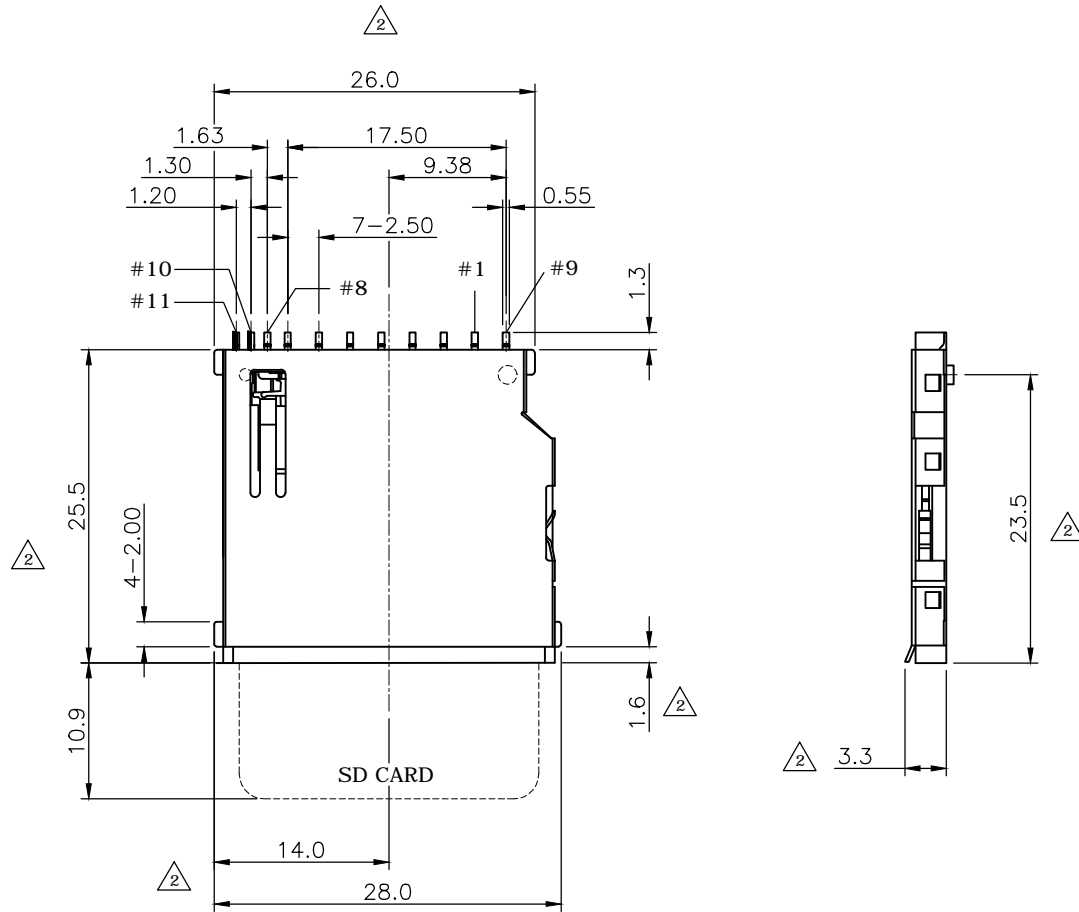
- 2.1 Durability: 10000 Cycle
- 2.2 Insertion Force: 40N Max.
- 2.3 Extraction Force: 2N Min.

**3. ENVIRONMENTAL**

- 3.1 Operating temperature range: -40°C~+85°C
- 3.2 Storage temperature range: -40°C~+85°C

**4. SOLDER ABILITY**

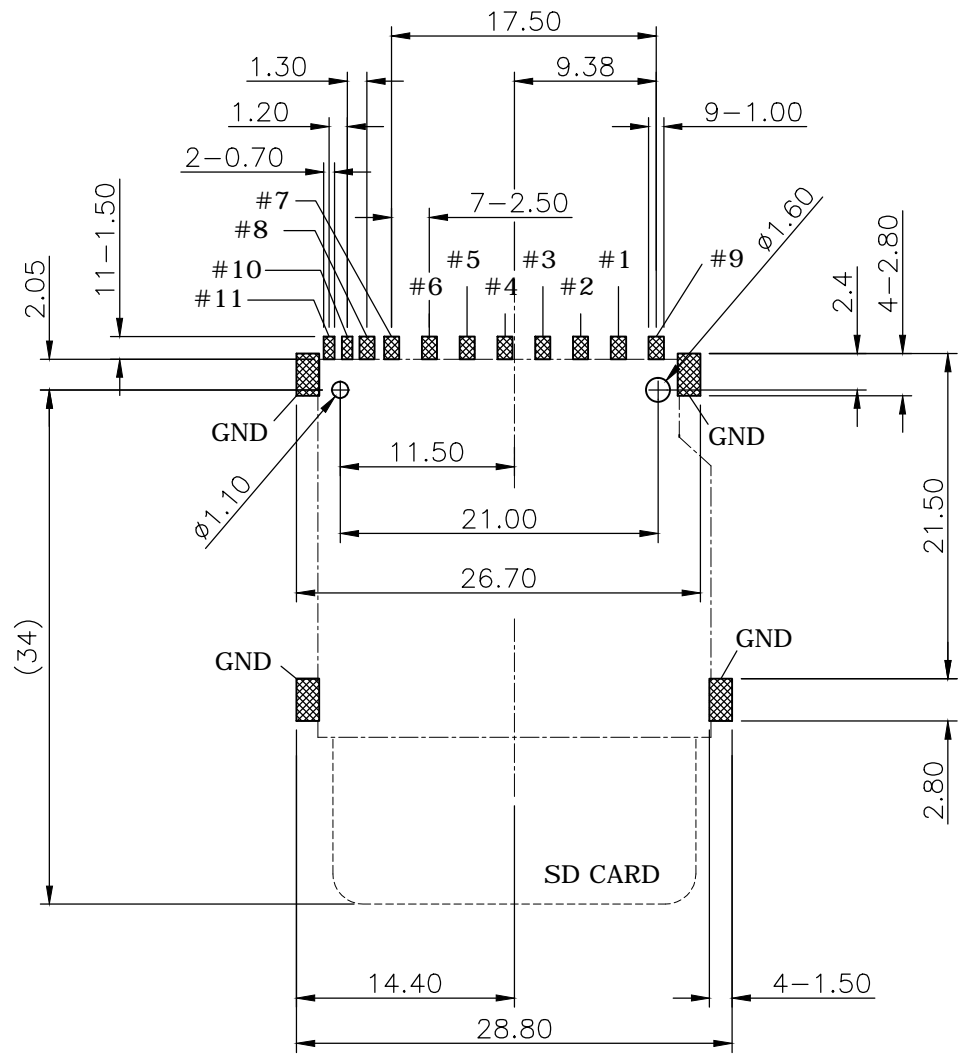
- 4.1 Recommended IR Reflow(Wave Soldering) Temperature: 260°C



3	SHELL	Copper alloy, Nickel plating	
2	CONTACT	Copper alloy, G/F on contact area, tin plating on on solder tails, under plating nickel	
1	HOUSING	LCP, UL94V-0, natural	
NO. PART NAME		DESCRIPTION	
UNLESS OTHERWISE SPECIFIED TOLERANCE			
UNIT:	DECIMAL	LINEAR	ANGLES
mm	X.	±0.50	±5°
	X.X	±0.25	±3°
	X.XX	±0.12	±1°
www.attend.com.tw			
DRAWN	Fros	2020/07/27	DRAWN NAME:
CHECKED	Tim	2020/07/27	SD Socket, Push-Pull Type, G/F, w/switch
APPROVED	Ken	2020/07/27	PRODUCT NO. 104C-TAA1
SCALE	1.65	SHEET 1/2	SIZE A4
FILE NAME		104C-TAA1_B_2	

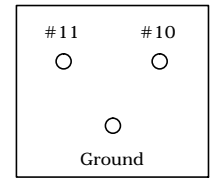


REV.	DESCRIPTION	DRAWN	DATE
	see sheet one		

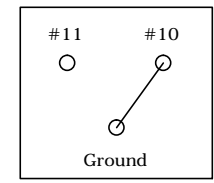


RECOMMENDED LAYOUT (TOP VIEW)  
GENERAL TOLERANCE: ±0.05MM

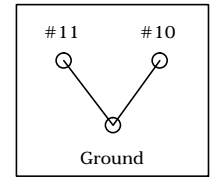
Circuit diagram



without card



card inserted  
write protect: Lock



card inserted  
write protect: unlock

PIN#	NAME
1	CD/DAT3
2	CMD
3	VSS1
4	VDD
5	CLK
6	VSS2
7	DAT0
8	DAT1
9	DAT2
10	Card detect switch
11	Write protect switch
Shell	Ground

UNLESS OTHERWISE SPECIFIED TOLERANCE			
UNIT:	DECIMAL	LINEAR	ANGLES
mm	X.	±0.50	±5°
	X.X	±0.25	±3°
	X.XX	±0.12	±1°
DRAWN	Fros	2020/07/27	DRAWN NAME: SD Socket, Push-Pull Type, G/F, w/switch
CHECKED	Tim	2020/07/27	
APPROVED	Ken	2020/07/27	
SCALE	SHEET	SIZE	FILE NAME
2/1	2/2	A4	104C-TAA1_B_2

www.attend.com.tw

DRAWN	Fros	2020/07/27	DRAWN NAME: SD Socket, Push-Pull Type, G/F, w/switch
CHECKED	Tim	2020/07/27	
APPROVED	Ken	2020/07/27	
SCALE	SHEET	SIZE	FILE NAME
2/1	2/2	A4	104C-TAA1_B_2