

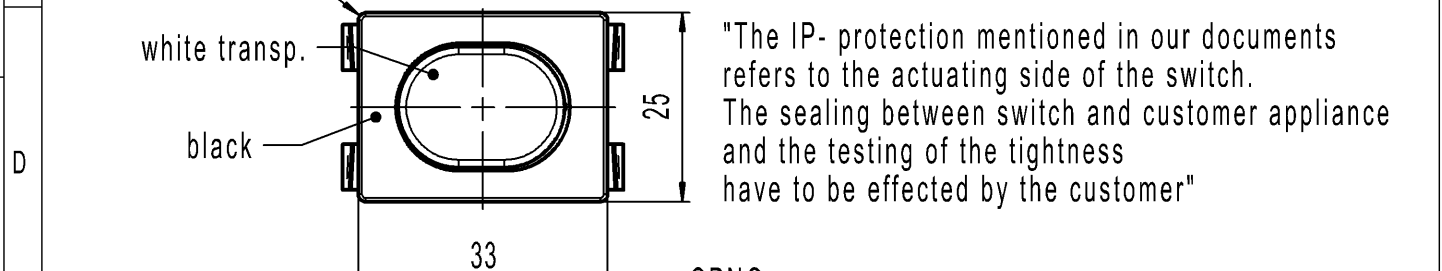
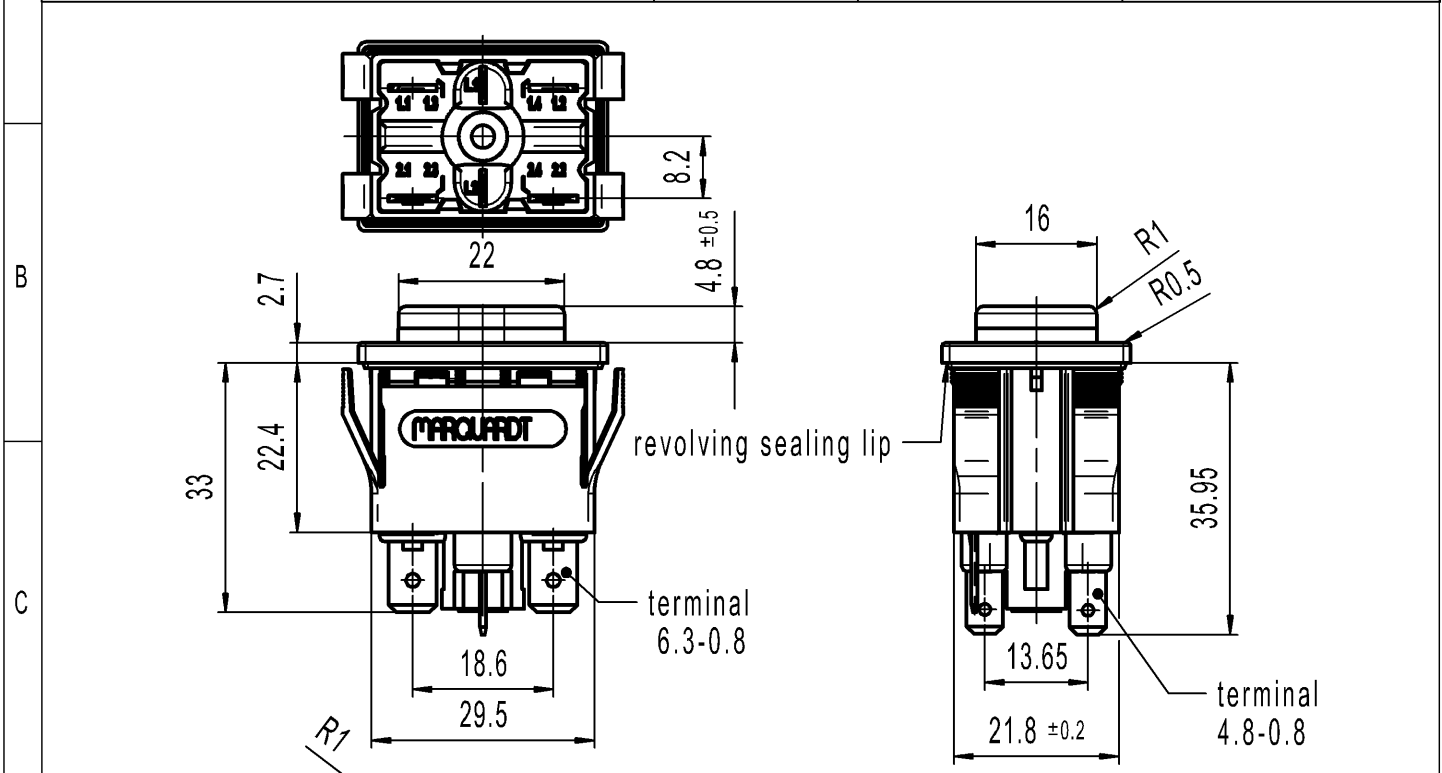
THIS DRAWING IS THE EXCLUSIVE PROPERTY OF MARQUARDT. WITHOUT THEIR CONSENT IT MAY NOT BE REPRODUCED OR GIVEN TO THIRD PARTIES.

CONFIDENTIAL

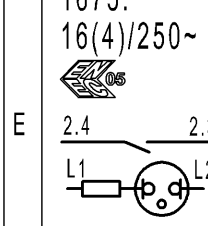
VERTRAULICH

Alle Rechte bei Marquardt, auch fuer den Fall von Schutzrechtsanmeldungen. Jede Veruegungsbefugnis, wie Kopier- und Weitergaberecht, bei uns.

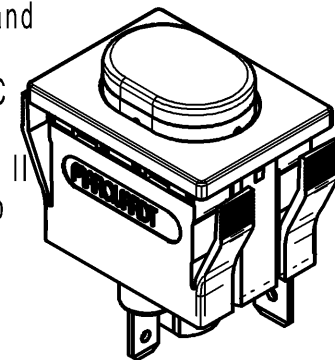
A	1	2	3	4	
	recommended cut-out for snap-in fixing (edge opposite to snap-in direction)		wall thickness	length of cut-out	width of cut-out
			0.8 to 5	30 +0.15	22.2 +0.15



Marking
 MARQUARDT[®]
 1675.
 16(4)/250~ T85/55



SPNO
 Rubber seal between actuator and housing.
 Neon lamp with Rv for 230 V AC
 Total travel 4.5±0.4
 Suitable for appliances of class II
 Actuating side protected acc. to
 DIN 40 050, IP 54



Code of manufacture: place/year/week

-	-	-	1675.5315-XX
Figure	Type	Customer Part No.	Art.No.-PI
Shape and location	Angle ± 2 °	Sheet 01	Ident. K
	Edge tolerance	Format DIN A4	Document number 16755315
	Length	Projection	Index c
	0-6 ± 0.2	Scale 1:1	Appliance Switch
	>6-15 ± 0.4	All dimensions are in millimetres	
	>15-30 ± 0.4		System NX V1872
	>30-70 ± 0.6	Replacement of	
	±	Zg.gl.Nr.v.27.11.2000	
c	137245	2021-04-30	
b	36501	2003-09-01	
a	32547	2002-09-02	
	30740	2000-11-27	
Index	MEC-No.	Date (YYYY-MM-DD)	Edited by