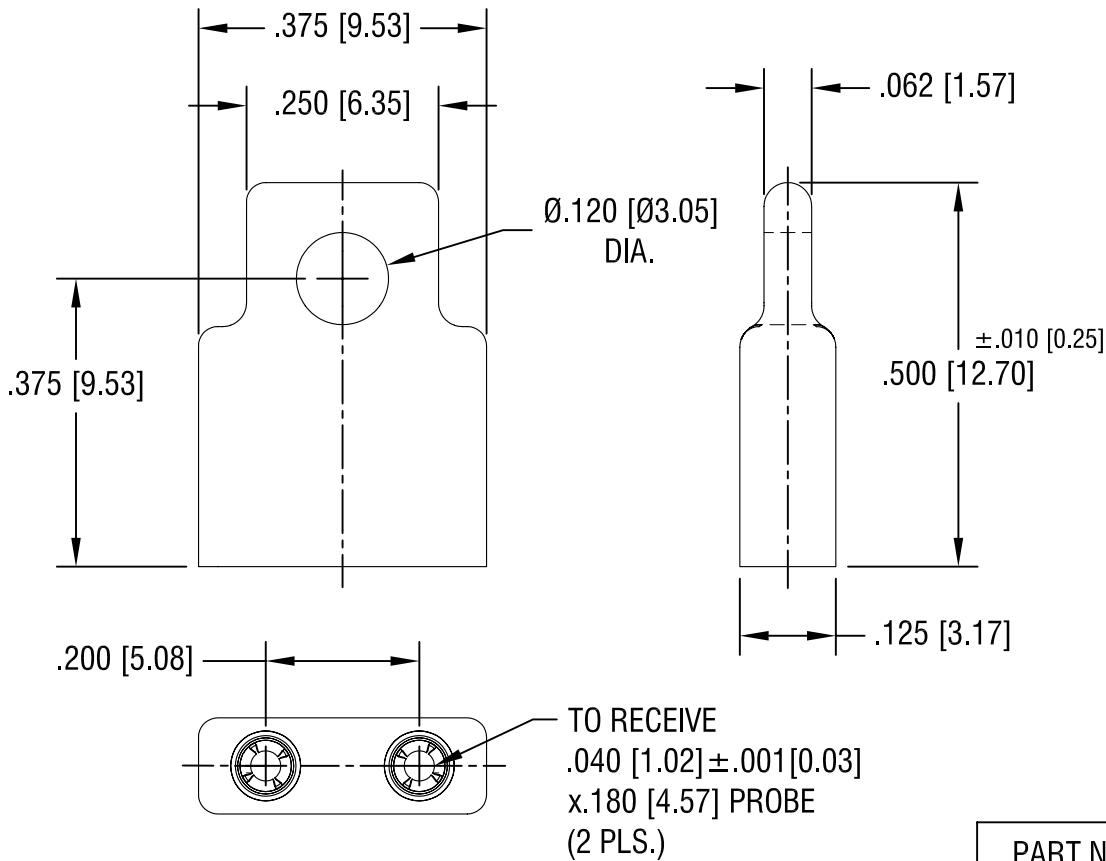
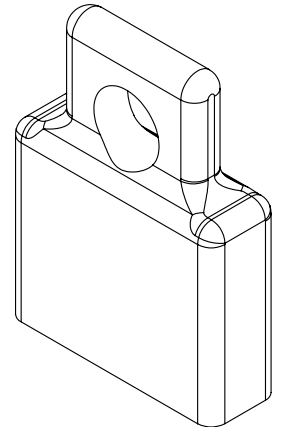


THIS DOCUMENT IS THE PROPERTY OF  
KEYSTONE ELECTRONICS CORP. AND  
SHALL NOT BE REPRODUCED, DISTRIBUTED  
OR USED AS A BASIS FOR MANUFACTURE  
WITHOUT PRIOR WRITTEN PERMISSION  
FROM KEYSTONE ELECTRONICS CORP.



NOTES:

1. HOUSING: ABS
2. SHELL: BRASS, GOLD PLATE
3. CONTACT: MT'L- BERYLLIUM COPPER  
GOLD PLATE
4. SLIGHT SHRINK DEPRESSION ON BOTH  
SIDES PERMISSIBLE

PART NO.	COLOR
1487L	BLUE
1487R	RED
1487B	BLACK

KEYSTONE ELECTRONICS CORP.			
ASTORIA, N.Y. 11105-2017			
PART NAME MOLDED SHORTING JACK			
MATERIAL AS NOTED			
FINISH AS NOTED		DRN BY NT	DATE 10.26.07
		APP'D	SCALE 4X
TOLERANCES	INCH [MM]	CODE	DWG NO.
DECIMAL	±.005 [±0.15]	C	1487-
ANGULAR ± 1° UNLESS OTHERWISE SPECIFIED			

DATE	DESCRIPTION	REV.