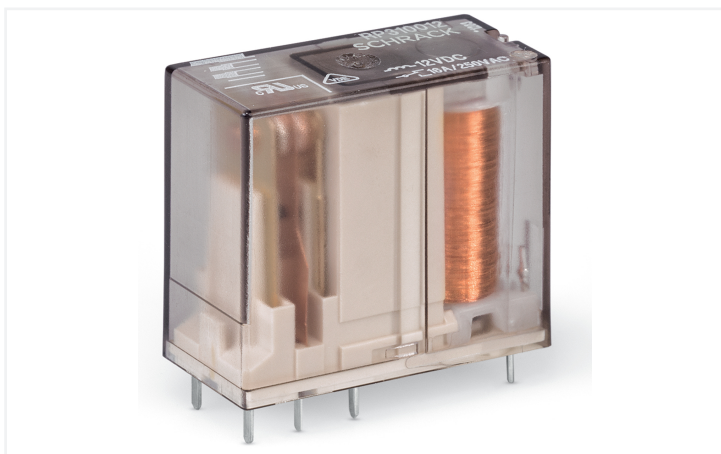


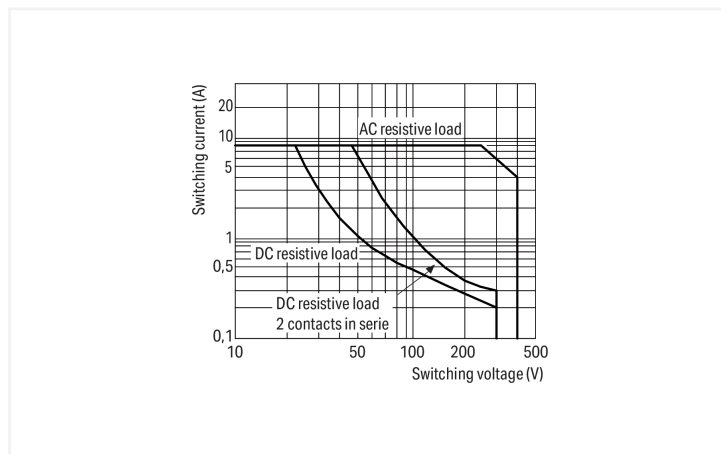
Data Sheet | Item Number: 788-936

Basic relay; Nominal input voltage: 24 VDC; 2 changeover contacts; Limiting continuous current: 8 A; with manual operation; Module width: 13 mm

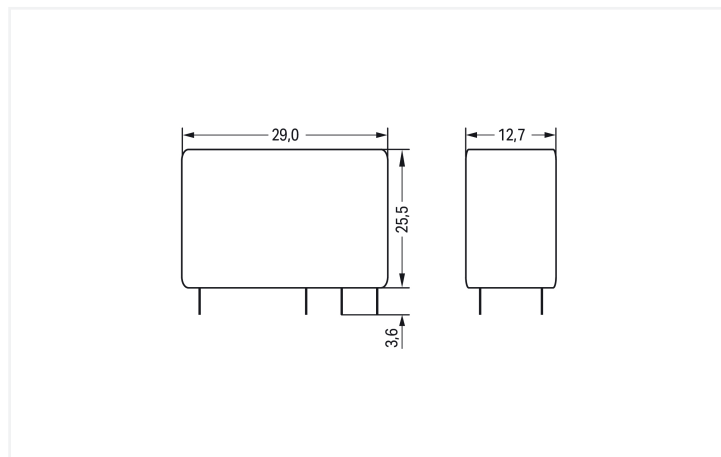
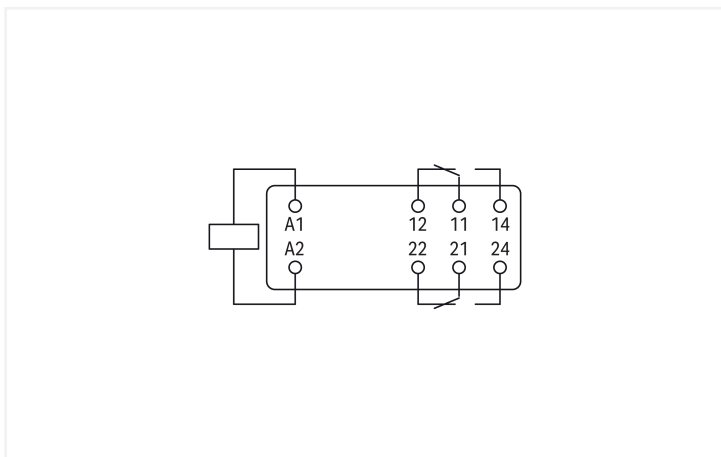
<https://www.wago.com/788-936>



Similar to illustration



Load limit curve



Dimensions in mm

Technical data

Control circuit

Nominal input voltage U_N	24 VDC
Nominal input current at U_N	16.7 mA

Load circuit

Number of changeover/switchover contacts	2
Contact material (relay)	AgNi
Limiting continuous current	8 A
Inrush current (resistive) max.	(AC) 12 A
Switching Voltage, Max.	250 VAC
Switching power (resistive) max.	AC 2000 VA; DC (see load limit curve)
Switching capacity	AC-15: 1.5 A / 240 VAC; DC-13: 1 A / 24 VDC
Recommended minimum load	12 V / 10 mA
Pull-in time (typ.)	15 ms
Drop-out time (typ.)	8 ms
Bounce time (typ.)	7 ms
Electrical life (NO; resistive load; 23 °C)	10 x 10 ³ switching operations
Mechanical life	5 x 10 ⁶ switching operations

Load circuit

Switching frequency with/without load (max.)	6 min ⁻¹ / 300 min ⁻¹
--	---

Signaling

Status indicator	Mechanical
------------------	------------

Safety and protection

Dielectric strength (control/load circuit) (AC, 1 min)	5 kVrms
Dielectric strength (open contact) (AC, 1 min)	1 kVrms
Dielectric strength (load/load circuit) (AC, 1 min)	2.5 kVrms

Physical data

Width	12.7 mm / 0.5 inches
Height from the surface	25.5 mm / 1.004 inches
Depth	29 mm / 1.142 inches

Mechanical data

Mounting type	Pluggable module
---------------	------------------

Material data

Note (material data)	Information on material specifications can be found here
Weight	15.3 g

Environmental requirements

Ambient temperature (operation at U _N)	-40 ... +70 °C
Ambient temperature (storage)	-40 ... +85 °C

Standards and Specifications

Standards/specifications	EN 61810-1
--------------------------	------------

Commercial data

PU (SPU)	8 pcs
Packaging type	Box
Country of origin	DE
GTIN	4055143693387
Customs tariff number	85364900990

Product Classification

UNSPSC	39122334
ETIM 9.0	EC001437
ETIM 10.0	EC001437
ECCN	NO US CLASSIFICATION

Environmental Product Compliance

RoHS Compliance Status	Compliant, No Exemption
------------------------	-------------------------

Downloads

Environmental Product Compliance

Compliance Search

Environmental Product Compliance 788-936	
--	---