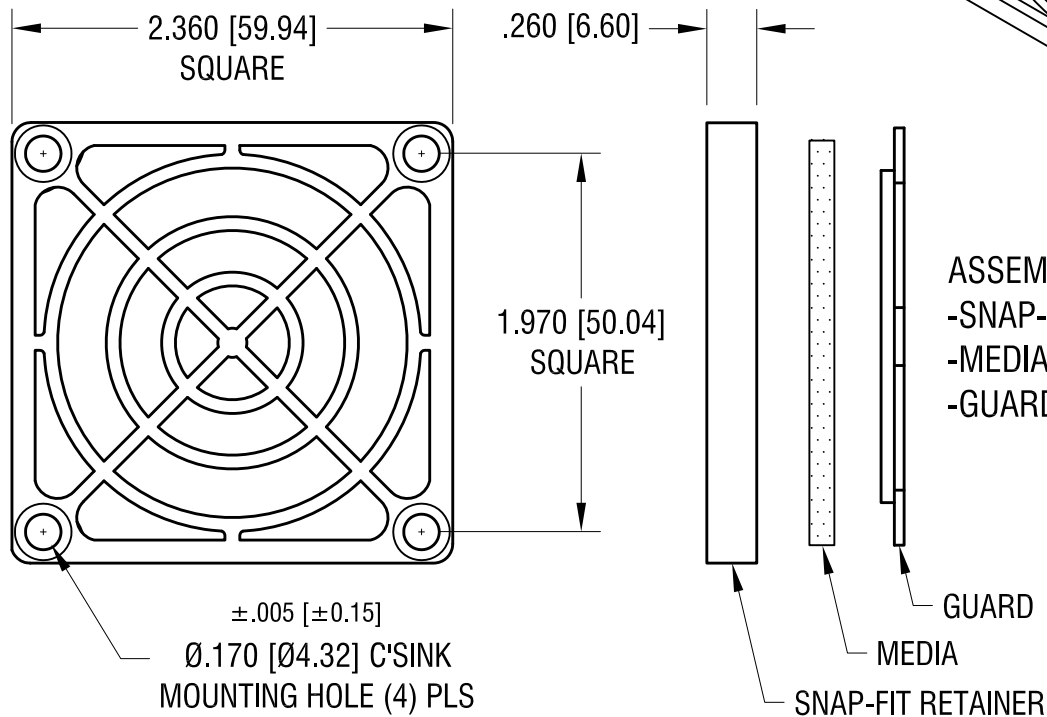
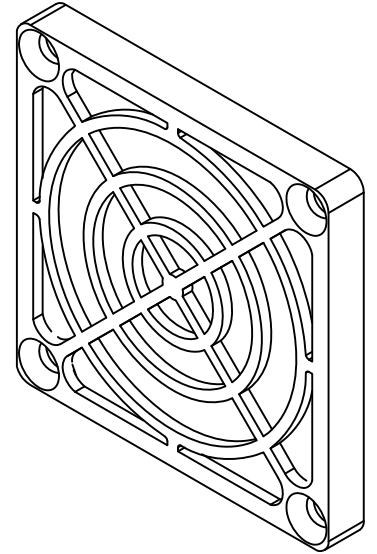


THIS DOCUMENT IS THE PROPERTY OF
KEYSTONE ELECTRONICS CORP. AND
SHALL NOT BE REPRODUCED, DISTRIBUTED
OR USED AS A BASIS FOR MANUFACTURE
WITHOUT PRIOR WRITTEN PERMISSION
FROM KEYSTONE ELECTRONICS CORP.



NOTES:

1. RETAINER: MAT'L - ABS UL 94V-0
MEDIA: MAT'L - POLYURETHANE FOAM
GUARD: MAT'L - ABS UL 94V-0

3.25.10	CHANGE AS PER ECN 10-024	A
DATE	DESCRIPTION	REV.

KEYSTONE ELECTRONICS CORP.			
www.keyelco.com • ASTORIA, N.Y. 11105-2017 • Tel (718) 956-8900			
PART NAME		MINI-FAN GUARD ASSEMBLY	
MATERIAL		AS NOTED	
FINISH	DRN BY	BOONE	DATE
-	APP'D	LN	12.11.06
TOLERANCES	INCH	[MM]	CODE
DECIMAL	± .020	[± 0.50]	C/M
ANGULAR	± 1°		
UNLESS OTHERWISE SPECIFIED			
DWG NO.		8465	