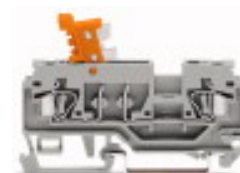




2-conductor disconnect/test terminal block; with pivoting knife disconnect; gray disconnect link; with test port for 2 mm and 3 mm Ø

Item No.: 280-868



2-conductor disconnect/test terminal block; with pivoting knife disconnect; gray disconnect link; with test port for 2 mm and 3 mm Ø

Marking

RoHS ✓
Compliant

Business data

Supplier	WAGO
Item no.	280-868
GTIN / EAN	4050821014553
Content	1
Order amount	100
Customer item number	

Notes

Technical data

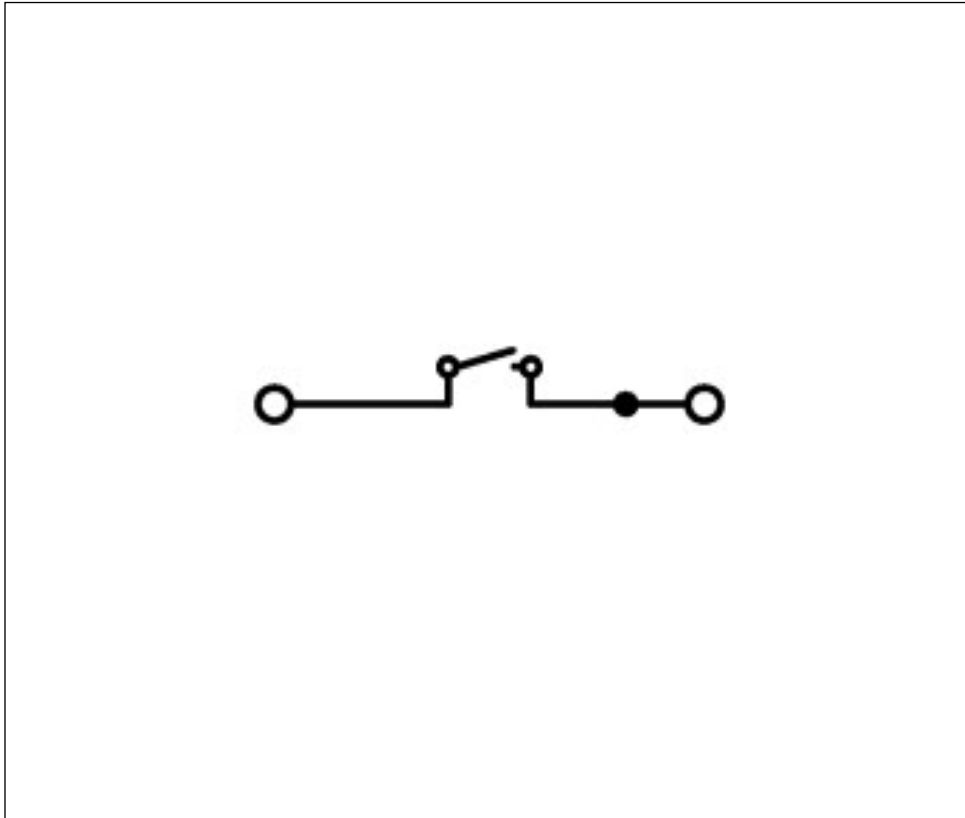
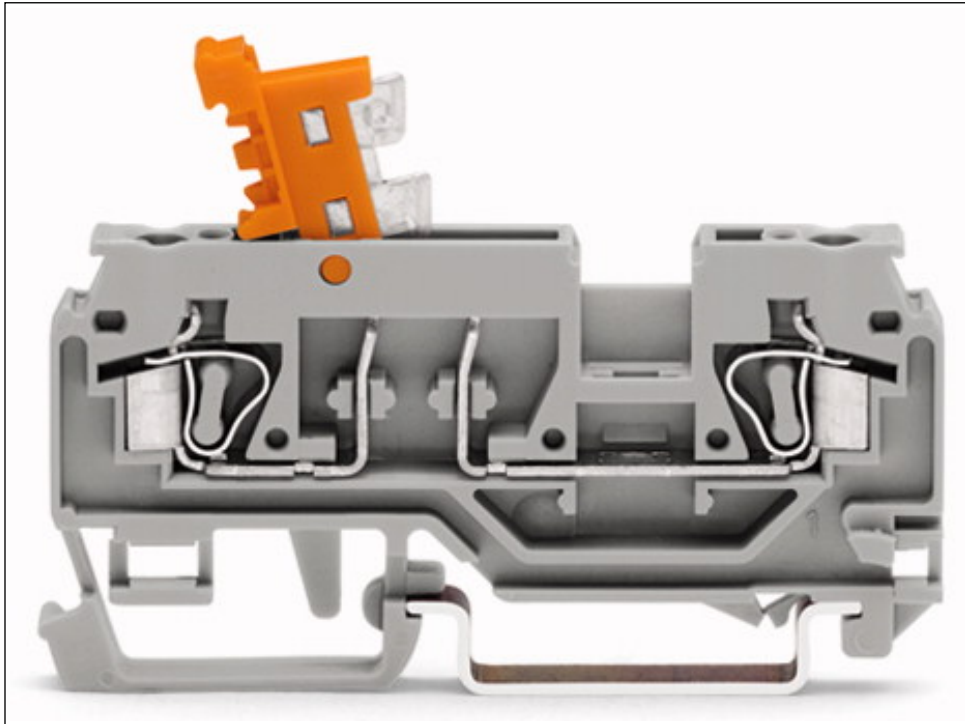
Miscellaneous

Packaging type	BOX
Rated voltage (III / 3) [V]	400 [V]
Rated impulse voltage (III / 3) [kV]	6 [kV]
Rated current [A]	16 [A]
Legend (ratings)	(III / 3) Overvoltage category III / Pollution degree 3

Printview: 2-conductor disconnect/test terminal block; with pivoting knife disconnect; gray disconnect link; with test port for 2 mm and 3 mm Ø - Item No.: 280-868

Technical data	
Type of wiring	Front-entry wiring
Total number of connection points	2
Total number of potentials	2
Number of levels	1
Connection technology	CAGE CLAMP®
Number of connection points (connection type)	2
Actuation type	Operating tool
Connectable conductor materials	Copper
Solid conductor	0.08 ... 2.5 mm ² / 28 ... 12 AWG
Fine-stranded conductor	0.08 ... 2.5 mm ² / 28 ... 12 AWG
Strip length	8 ... 9 mm / 0.31 ... 0.35 Inch
Note (conductor cross-section)	12 AWG: THHN, THWN
Width	5 mm / 0.197 Inch
Height from upper-edge of DIN-35 rail	28.5 mm / 1.122 Inch
Depth	69.5 mm / 2.736 Inch
Design	horizontal
Type of mounting	Carrier rail 35 x 15
Marking level	Center/side marking
Color	gray
Insulating material	Polyamide 66 (PA 66)
Fire load [MJ]	0.148 [MJ]
Weight [g]	8.757 [g]

Images & drawings



Address

WAGO Kontakttechnik GmbH & Co. KG

Hansastr. 27

32423 Minden

Telefon: 0571/887-0

Fax: 0571/887-169

<http://www.wago.com>

© WAGO Kontakttechnik GmbH & Co. KG

Technische Änderungen und Irrtümer vorbehalten.