

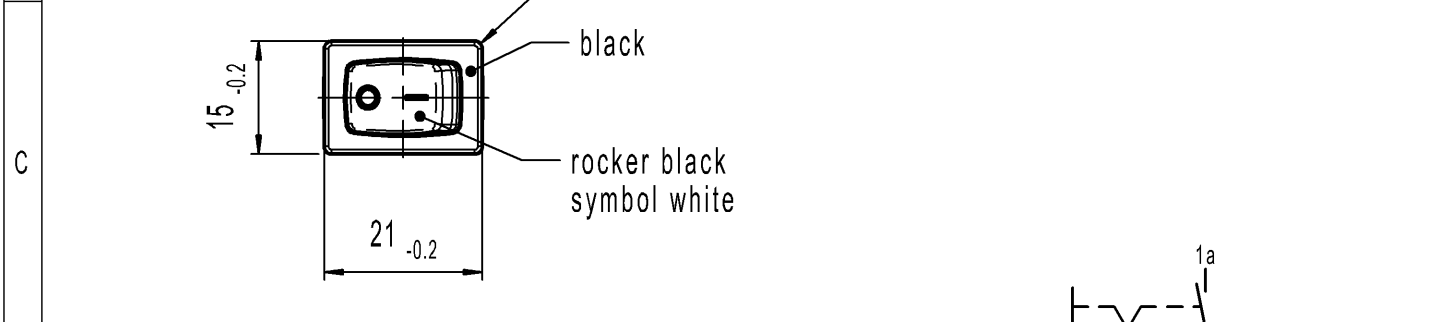
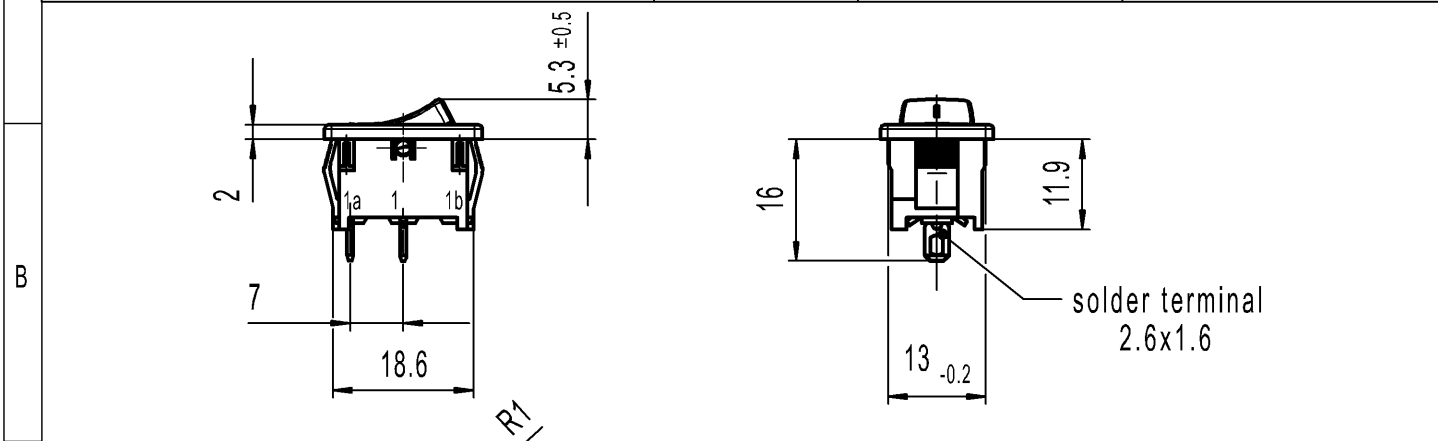
CONFIDENTIAL

VERTRAULICH

Alle Rechte bei Marquardt, auch fuer den Fall von Schutzrechtsanmeldungen. Jede Veruegungsbefugnis, wie Kopier- und Weitergaberecht, bei uns.

THIS DRAWING IS THE EXCLUSIVE PROPERTY OF MARQUARDT. WITHOUT THEIR CONSENT IT MAY NOT BE REPRODUCED OR GIVEN TO THIRD PARTIES.

A	recommended cut-out for snap-in fixing (edge opposite to snap-in direction)	1	2	3	4	
		0.75 to 1.25	1.25 to 2	2 to 3	length of cut-out	width of cut-out
		19.2-0.1	19.4-0.1	19.8-0.1		
		12.9+0.1	12.9+0.1	12.9+0.1		



Marking

18..

 8(8)/250~ 5E4

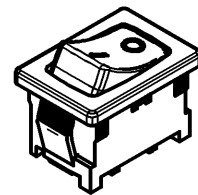
 12(4)/250~ T100/55

 5/70 A 250V~

SPST
Suitable for appliances of class II

15A 125-250V AC
 3/4 HP 125V AC
 1 1/2 HP 250V AC
 R149

Code of manufacture: place/year/week
On box: Customer Part No. see variant table



-	-	0041.1878	1801.6130-XX
Figure	Type	Customer Part No.	Art.No.-PI
Shape and location	Angle ± 2 °	Sheet 01	Ident. K
	Edge tolerance	Format DIN A4	Document number 18016130
		Projection	Index c
		Scale 1:1	Appliance Switch
All dimensions are in millimetres		Replacement of	
c	137838	2021-08-12	MOHITEN
b	106996	2017-03-03	MUT
a	80769	2012-10-22	MUT
	43854	2005-09-19	vor
Index	MEC-No.	Date (YYYY-MM-DD)	Edited by
System NX V1872		Zg.gl.Nr.v.19.07.2005	
		MARQUARDT	