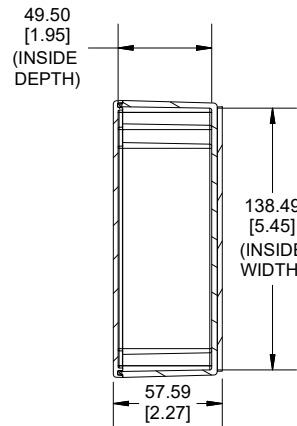
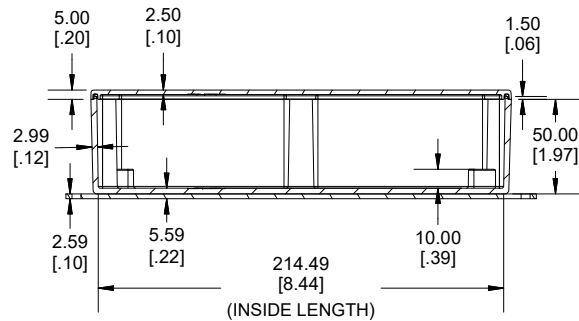
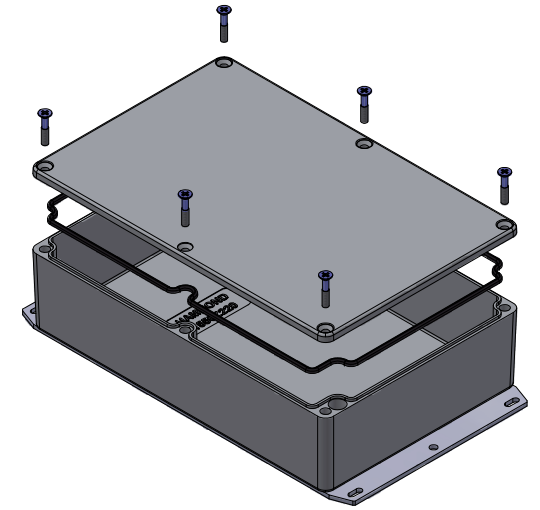


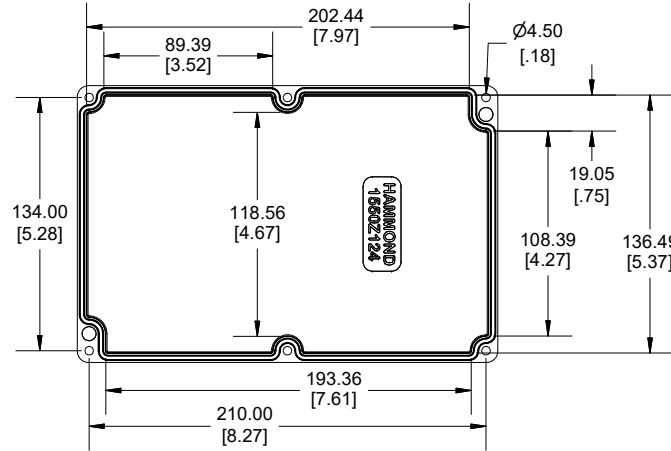
TOP VIEW



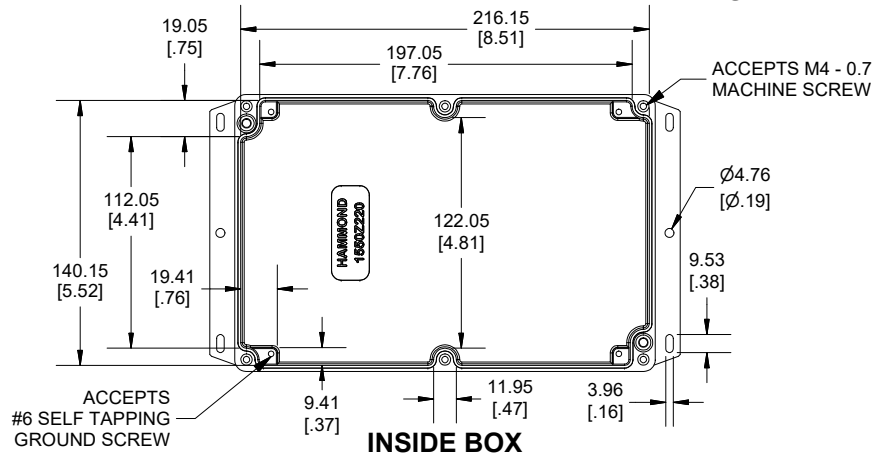
**SECTION A-A
END VIEW**



**SECTION B-B
SIDE VIEW**



INSIDE LID



INSIDE BOX

Dimensions:
mm
[inches]



Enclosures can be Factory Modified (Milling, Drilling, Printing etc.)
Contact Factory (modshop@hammfg.com) for quotes
Solid models of this enclosure available in .stp or .x_t
(Part number and text placement/orientation on our products are subject to change,
we do not recommend using them as a locating reference for modification purposes)

NOTE

Purchased assembly includes box, lid, silicone gasket, and 6 cover screws.
Box and lid are made from Diecast Aluminum Alloy.
Bottom flange is welded.

Recommended Cover screw torque 5-7.5 lbf.in (50 -75 cN.m)

PART NUMBERS

1550Z124 Flange Enclosure

Natural Finish Enclosure	1550Z124F
Black Textured Enclosure	1550Z124FBK

ACCESSORIES

Stainless Steel Cover screws [M4 - 0.7 x 20mm] (50 Pack)	SC1550Z103-50
Ground Hardware (50 Pack) #6 Phos. Bronze plate Lock Washer #6-32 x 5/16 Copper plate Self-Tapping screw	SCG060-50
Pre-Formed Silicone Gasket (2 Pack)	1550Z124GASKET



1550Z124F

www.hammondmfg.com