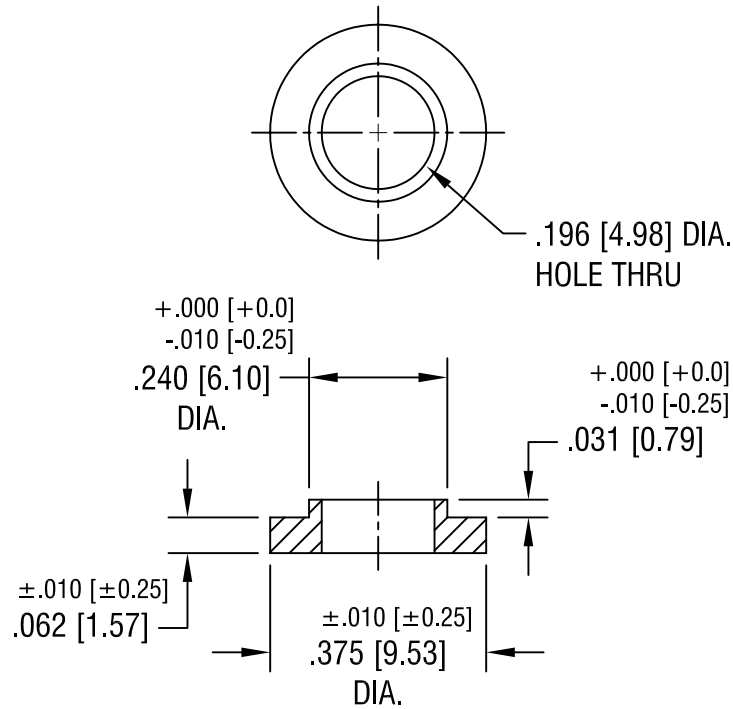


THIS DOCUMENT IS THE PROPERTY OF  
KEYSTONE ELECTRONICS CORP. AND  
SHALL NOT BE REPRODUCED, DISTRIBUTED  
OR USED AS A BASIS FOR MANUFACTURE  
WITHOUT PRIOR WRITTEN PERMISSION  
FROM KEYSTONE ELECTRONICS CORP.



|                                   |                       |                       |                 |
|-----------------------------------|-----------------------|-----------------------|-----------------|
| <b>KEYSTONE ELECTRONICS CORP.</b> |                       |                       |                 |
| ASTORIA, N.Y. 11105-2017          |                       |                       |                 |
| PART NAME                         |                       | FIBRE SHOULDER WASHER |                 |
| MATERIAL                          |                       | VULCANIZED FIBRE      |                 |
| FINISH                            | -                     | DRN BY<br>BOONE       | DATE<br>11.6.06 |
|                                   |                       | APP'D<br>LN           | SCALE<br>3X     |
| TOLERANCES                        | INCH [MM]             | CODE                  | DWG NO.         |
| DECIMAL                           | $\pm .005 [\pm 0.15]$ | C/M                   | <b>3238</b>     |
| ANGULAR                           | $\pm 1^\circ$         |                       |                 |
| UNLESS OTHERWISE SPECIFIED        |                       |                       |                 |

|      |             |      |
|------|-------------|------|
| DATE | DESCRIPTION | REV. |
|------|-------------|------|