

# JBC C210009

## Conical Cartridge Ø 0.2

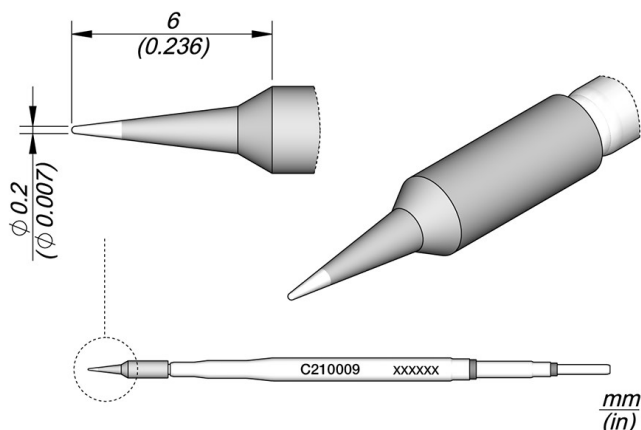
C210 cartridges are appropriate for precision soldering jobs with medium power requirements.

Due to the size, these cartridges are perfect to work with SMD, under a microscope, or with conventional components.

They work with T210 Precision Handle, B·100 and B·500 Handles for B·IRON.

JBC Long Life Tips offer instant heat up, excellent heat transfer and great durability.

They last 5 times longer than other brands thanks to JBC Most Efficient Soldering System and Sleep & Hibernation Modes.



### REFERENCE

**C210009**

### PRODUCT COMPOSITION

1 [Instruction Manual](#)

Copyright © 2024 JBC Soldering S.L. | [Legal Notice](#) | [Privacy Policy](#) | [Terms and Conditions](#) | [Cookie policy](#) | [Internal Communication](#) | [RSS Feed](#) | [JBC Store](#) | [Contact Us](#)

### SPECIFICATIONS

**Net weight** 0,002 kg (0.00lb)

#### WEIGHT AND DIMENSIONS

2 gr (0.00 lb)

15 gr (0.03 lb)

110 x 12 x 12 mm

This website uses own and third-party technical, analysis and advertising cookies to anonymously facilitate browsing, customise the advertising and analyse website use statistics. We deem that by continuing to browse you accept their use. [Learn more](#)

Manage Preferences

Reject All

Accept All

## CONNECTABLES

### Compatible tools



T210-A

Precision Handle



T210-PA

Blue Grip Precision Handle



B100-A

Light Handle for B·IRON



B500-A

Handle for B·IRON

### Accessories



DC210-A

C210/C105 Cartridge Case

This website uses own and third-party technical, analysis and advertising cookies to anonymously facilitate browsing, customise the advertising and analyse website use statistics. We deem that by continuing to browse you accept their use. [Learn more](#)

[Manage Preferences](#)[Reject All](#)[Accept All](#)