

CIO208

Digital I/O Board

CIO208-8I: 8DI Board

CIO208-8O: 8DO Board

CIO208-4I4O: 4DI 4DO Board

Introduction:

Optocouple isolated for all DI/DO

Top



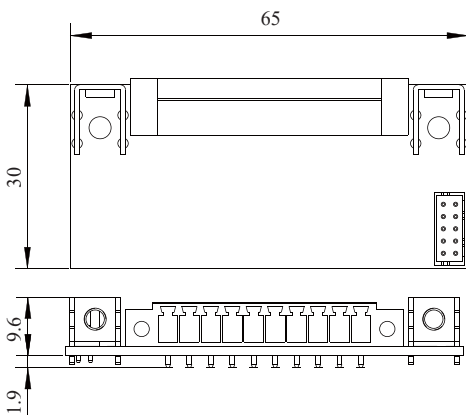
Features:

- Contact rating: DC 80V / 50mA max
- Isolation Protection: 3750Vrms

Specification:

Function	4 Digital Input 4 Digital Output 8 Digital Input or 8 Digital Output
Interface	2 x 5 pin 2.0 wafer connector
Output	TB connector
Operating Temperature	-40°C ~ +85°C
Dimensions	65 x 30 mm

Mechanical Drawing:



Ordering Information:

7G5905-1711002-0 CIO208-4I4OI-002

7G5905-1712002-0 CIO208-8I-002

7G5905-1710002-0 CIO208-8O-002

Cable information:

6G6001-0105-0100 L=15cm, 2.0 2 x 5 to 2.0 2 x 5

