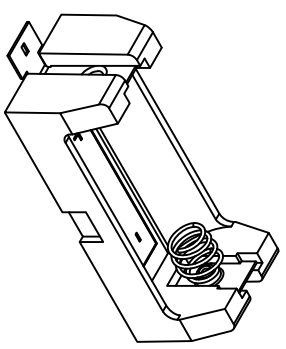
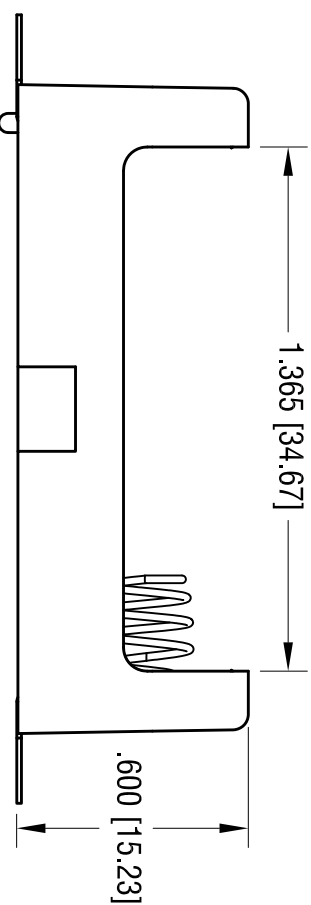
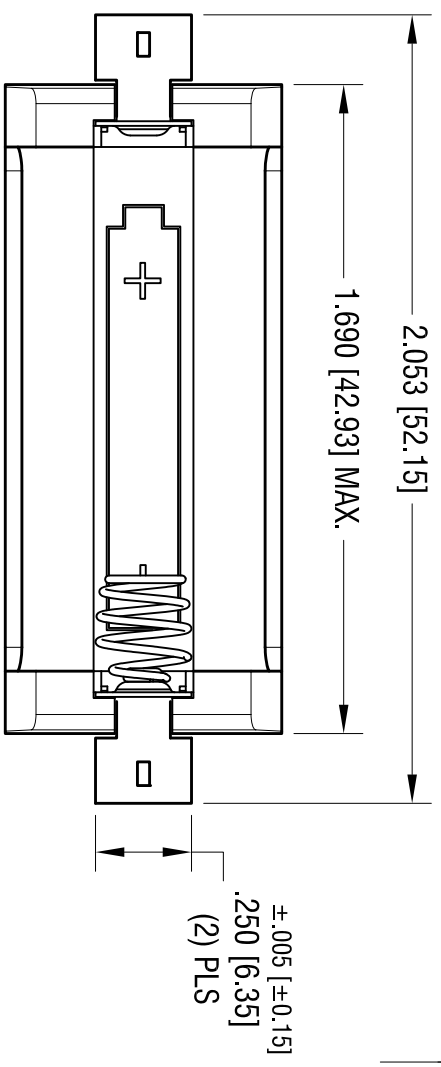
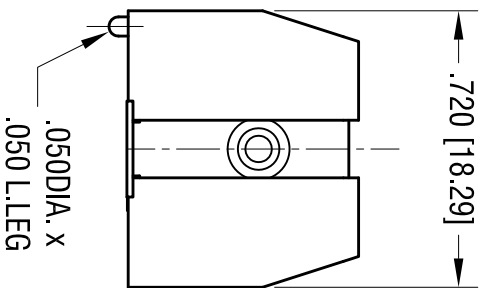
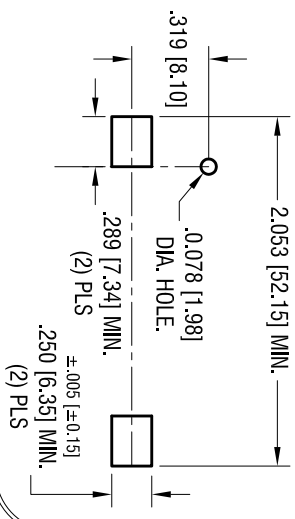


**MOUNTING PAD LAYOUT**



**ACTUAL SIZE**

- NOTE:**
- 1. BASE:**  
MAT'L: HEAT RESISTANCE NYLON  
STANLYL 46 OR EQUIVALENT
  - 2. CONTACTS:**  
MAT'L: BASE-.012 [0.30] THK STAINLESS STEEL  
SPRING-.020 [0.50] DIA. MUSIC WIRE  
FINISH: GOLD FLASH, OVER NICKEL PLATE.

DATE	DESCRIPTION	REV.

**KEYSTONE ELECTRONICS CORP.**  
www.keystec.com • ASTORIA, N.Y. 11105-2017 • Tel (718) 956-8900

**PART NAME**  
SM BATTERY HOLDER, CR123A

**MATERIAL**  
AS NOTED

**FINISH**  
AS NOTED

TOLERANCES	INCH	[MM]	CODE	DRN BY	DATE
DECIMAL	± .010	[± 0.25]	C	NT	10.31.14
ANGULAR	± 1°			LN	SCALE 2X
UNLESS OTHERWISE SPECIFIED				DWG NO.	<b>1128</b>

THIS DOCUMENT IS THE PROPERTY OF KEYSTONE ELECTRONICS CORP. AND SHALL NOT BE REPRODUCED, DISTRIBUTED OR USED AS A BASIS FOR MANUFACTURE WITHOUT PRIOR WRITTEN PERMISSION FROM KEYSTONE ELECTRONICS CORP.