
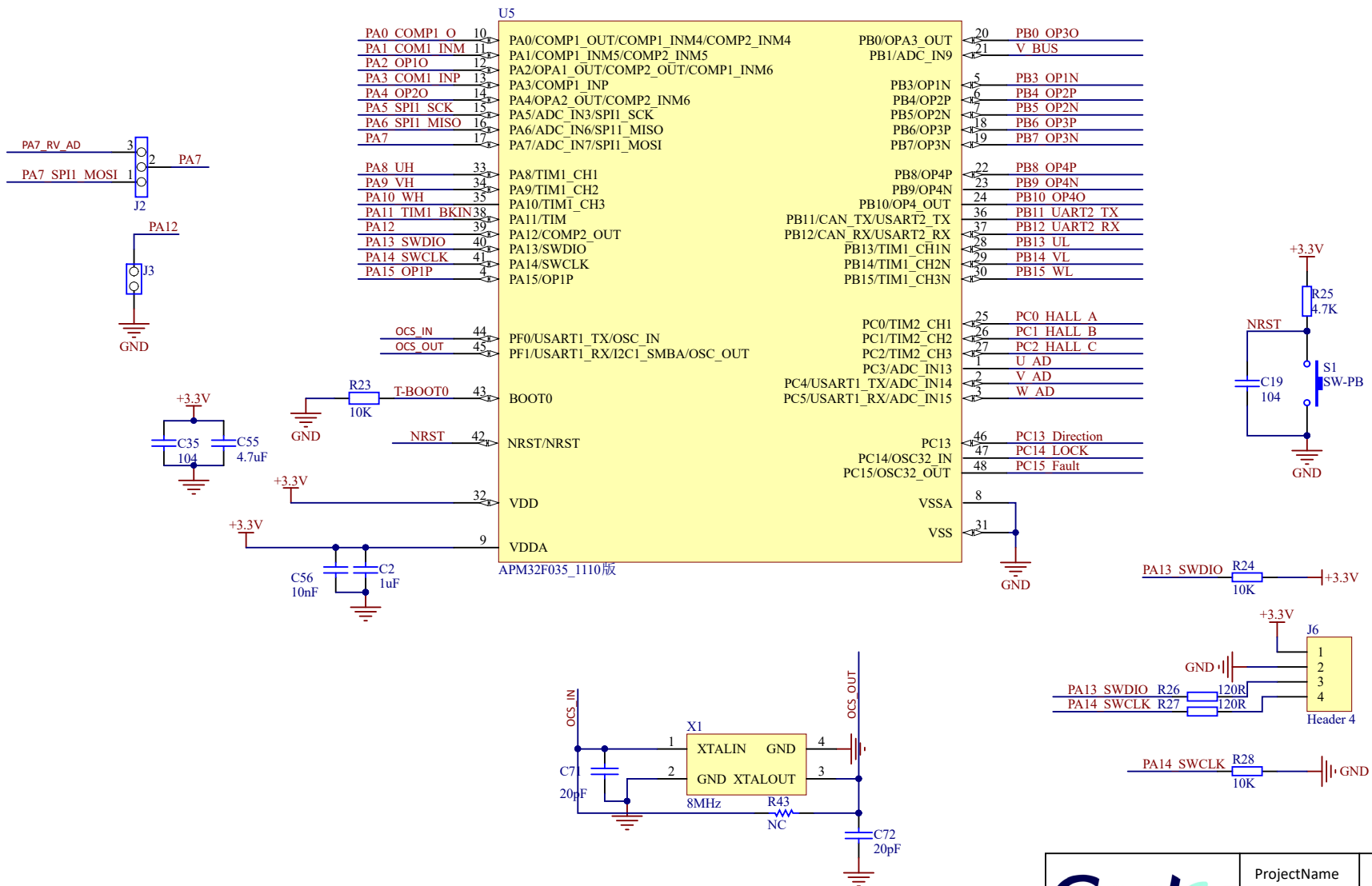
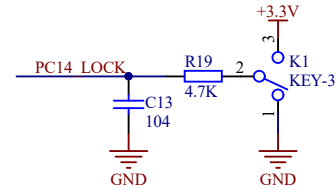
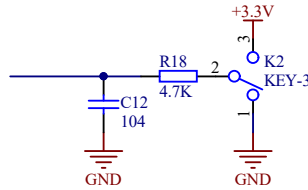
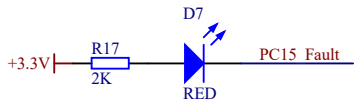
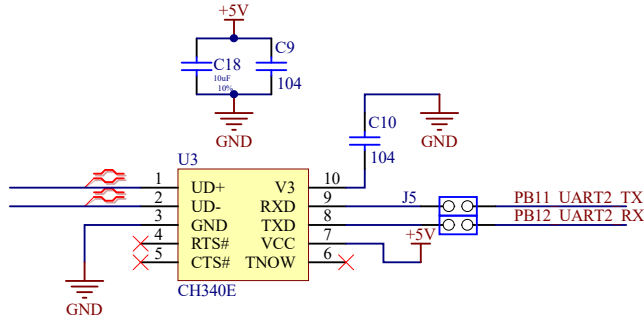
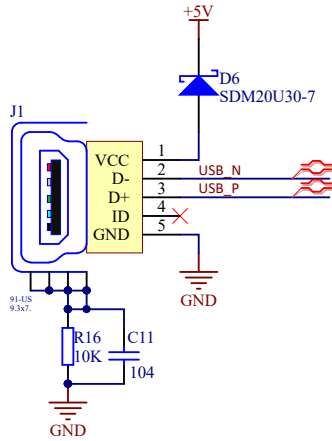


# Power Supply Circuit

 www.geehy.com		Power
		APMF035 MOTOR EVAL V1.0
	Page Number	1/7




 www.geehy.com	ProjectName	MCU
	DocumentName	APMF035 MOTOR EVAL V1.0
	Page Number	2/7

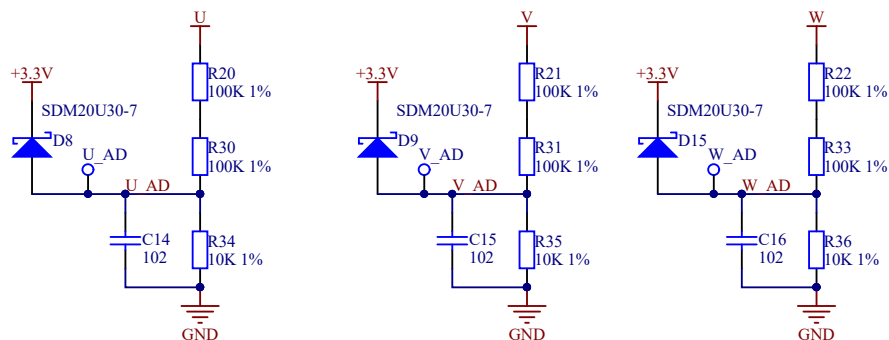


Fault Indicator

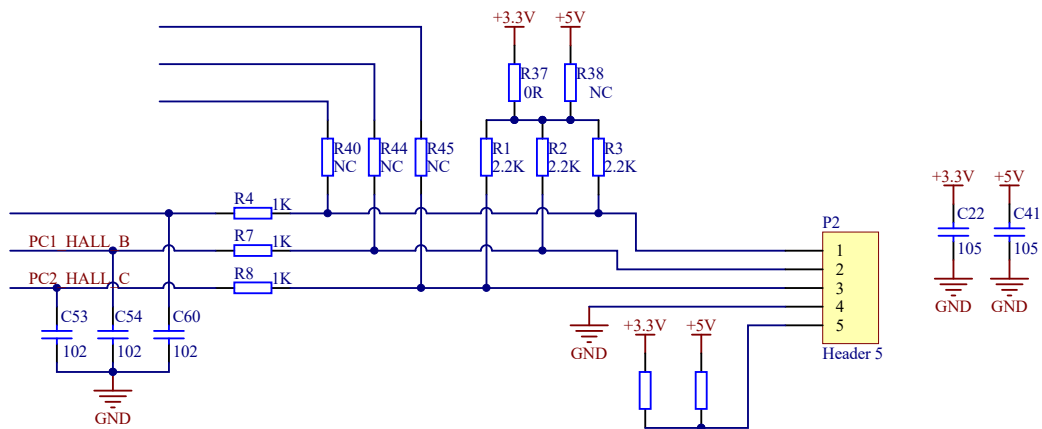
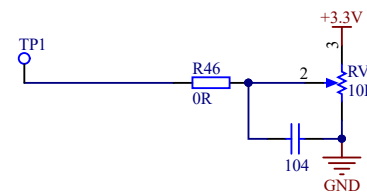
Forward/Reverse

Lock

 www.geehy.com		Communication
		APMF035 MOTOR EVAL V1.0
	Page Number	3/7

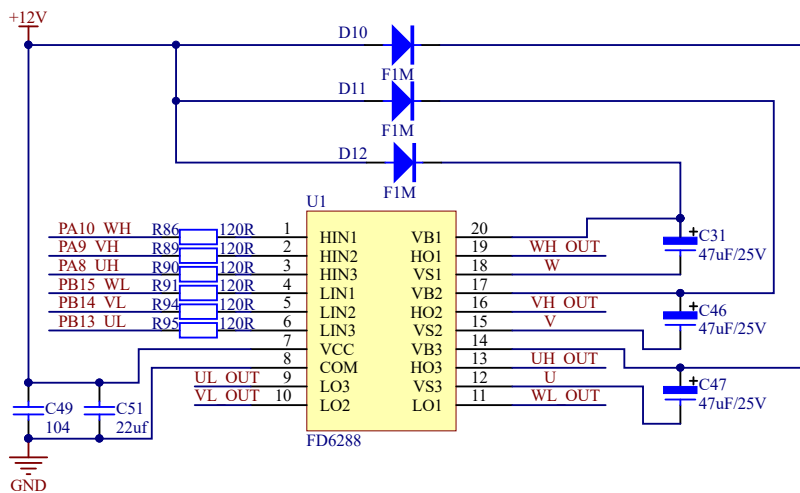



### BEMF

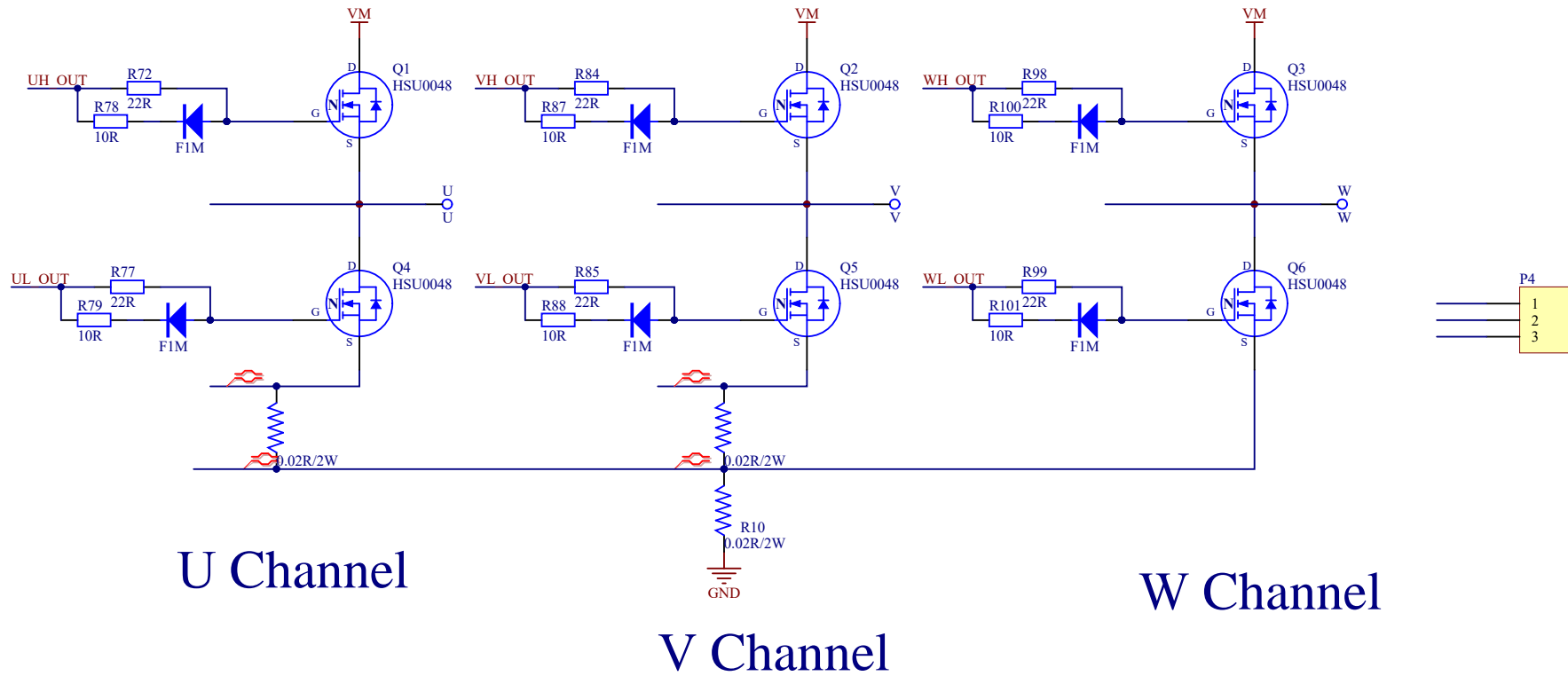


### Hall Detection Circuit

 www.geehy.com		HALL&BEMF
		APMF035 MOTOR EVAL V1.0
	Page Number	4/7



 <a href="http://www.geehy.com">www.geehy.com</a>	ProjectName	Driver
	DocumentName	APMF035 MOTOR EVAL V1.0
	Page Number	5/7

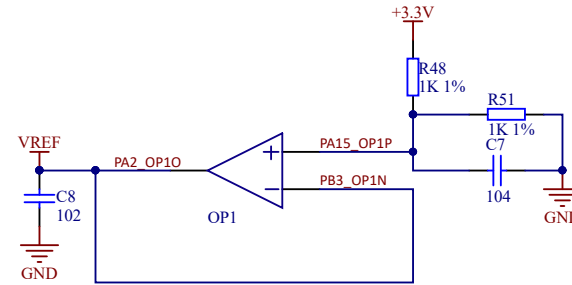
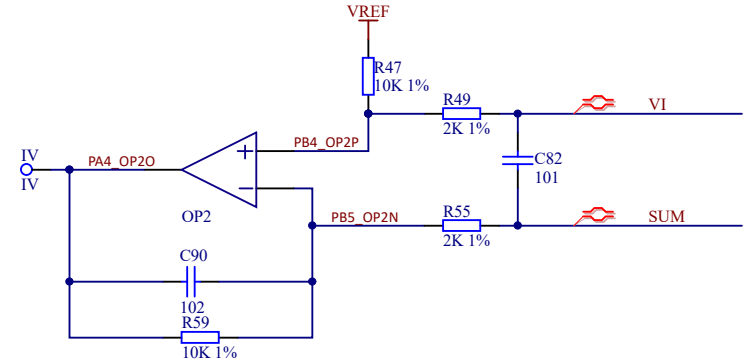
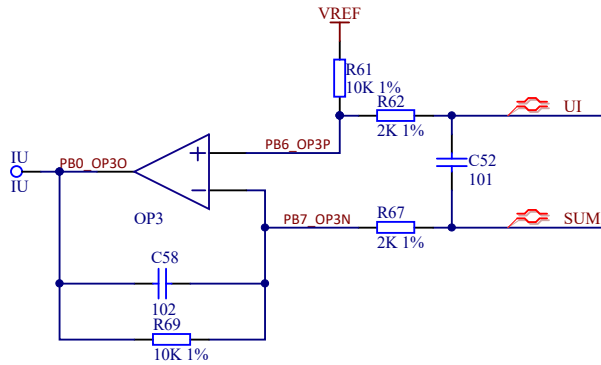


U Channel

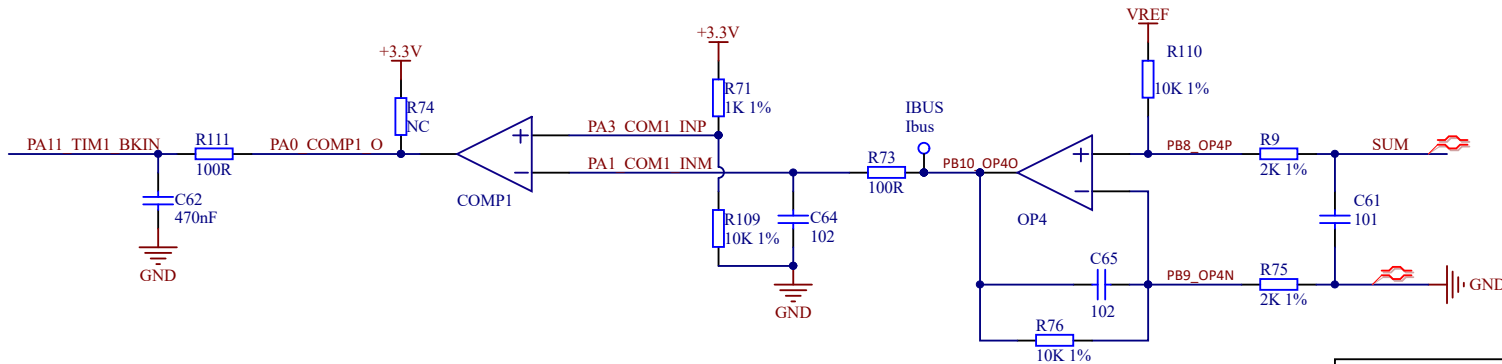
W Channel

V Channel

 www.geehy.com		Mos
		APMF035 MOTOR EVAL V1.0
	Page Number	6/7



VREF=1.65V



ProjectName	Current_Test
DocumentName	APMF035 MOTOR EVAL V1.0
Page Number	7/7