

Apacer

The Most **Reliable**
Storage For Industries

SU210-M280



SU210-M280

Overview

Apacer's SU210-M280 is the next generation modularized Solid State Drive (SSD) with the shape of all new M.2 form factor, aimed to be the more suitable for mobile and compact computers with standard width at only 22.00 mm. SU210-M280 appears in M.2 2280 mechanical dimensions and is believed to be the leading add-in storage solution for future host computing systems.

The M.2 SSD is designed with SATA-based connector pinouts, providing full compliance with the latest SATA Revision 3.2 interface specifications. Aside from SATA compliance, SU210-M280 delivers exceptional performance and power efficiency. On the other hand, the extreme thin and light form factor makes SU210-M280 the ideal choice for mobile computing systems, which appears to be the trend in near future.

Regarding reliability, SU210-M280 is built with a powerful SATA controller that supports on-the-module ECC as well as efficient wear leveling scheme. In terms of power efficiency, SU210-M280 is compliant with SATA 6.0 Gbps interface standard so that it can operate on SATA power management modes, which greatly save on power consumption.



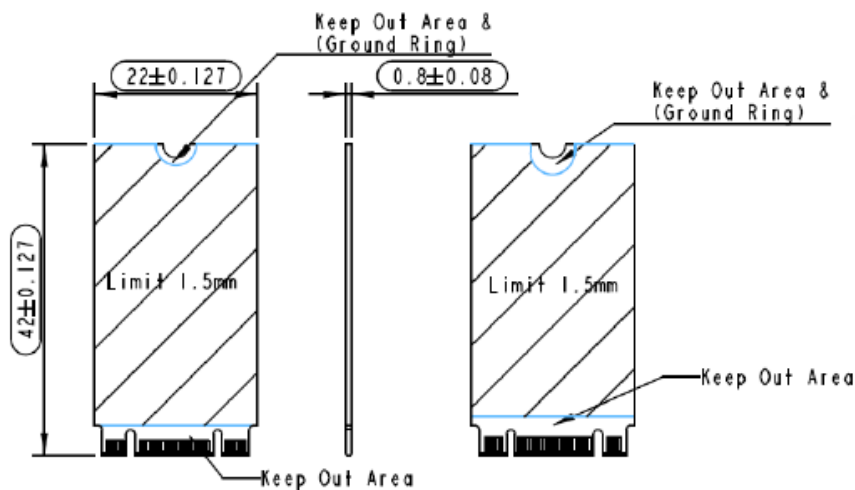
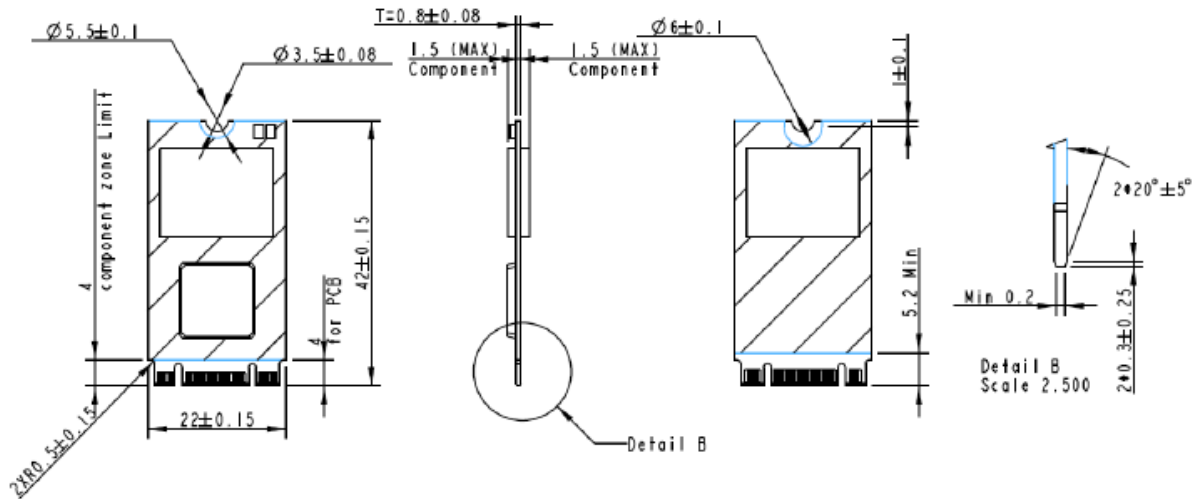
Feature

- SATA 3 (6Gb/s) interface
- M.2 (NGFF) connector
- Advanced 4K Page Mapping Technology
- Built-in ATA secure erase and S.M.A.R.T. functions
- Higher IOPS (with DRAM)

Specifications

Model	SU210-M280
Interface	SATA 3.0 (6Gb/s)
Connector	M.2 B & M key
Form Factor	M.2 2280-D3-B-M & M.2 2280-S3-B-M
NAND Flash Type	MLC
Capacity	32GB ~ 256GB
External DRAM	Yes
Sustained Read Performance (MB/sec)	Up to 530
Sustained Write Performance (MB/sec)	Up to 465
ECC Engine	Built-in up to 72-bit per 1K bytes BCH ECC
IOPS (4K Random Write)	78K
Standard Operating Temperature (°C)	0 ~ + 70
Extended Operating Temperature (°C)	-40 ~ + 85
Storage Temperature (°C)	-40 ~ + 100
Thermal Sensor	Yes
Shock	Operation: 50G, 11ms Non-operation: 1500G, 0.5ms
Vibration	Operation: 7.69 Grms, 20~2000 Hz/random (compliant with MIL-STD-810G) Non-operation: 15G, 10 ~ 2000 Hz/sine
Operating Voltage	3.3 V ± 5%
Power Consumption	Active mode: 695mA & Idle mode: 135 mA
Dimension (L x W x H)	Single side: 80.00 x 22.00 x 2.23 (mm) Double side: 80.00 x 22.00 x 3.58 (mm)
MTBF (hours)	>1,000,000

Mechanical Specification



Unit: mm

**For more information,
contact your Apacer representative**

Global Presence

Taiwan (Headquarters)
Apacer Technology Inc.
Tel: +886-2-2267-8000
Fax: +886-2-2267-2261

Europe
Apacer Technology B.V.
Tel: +31-40-267-0000
Fax: +31-40-290-0686

U.S.A.
Apacer Memory America, Inc.
Tel: +1-408-518-8699
Fax: 1-510-249-9551

China
Apacer Electronic(Shanghai)
Co., Ltd.
Tel: +86-21-6228-9939

Japan
Apacer Technology Corp.
Tel: +81-3-5419-2668
Fax: +81-3-5419-0018

India
Apacer Technologies Pvt. Ltd.
Tel: +91-80-41529061~3
Fax: +91-80-41700215