

2J6515B

(DATASHEET)

Type	Heavy duty ISM antenna
Frequencies	ISM (868 MHz)
Mounting	Body Mount
Revision	00



P. Tipul



D. Noble

1. SPECIFICATION

1.1. *Electrical Specifications*

Frequencies	ISM (868 MHz)
Impedance	50 Ohms
Polarization	Linear
Gain	6dBi
VSWR	<2:1
Power handling	50W
Bandwidth	25 MHz +/- 5 MHz
Operating temperature	-40°C to +85°C
Certificates	IP67, IK09

1.2. *Connection Specifications*

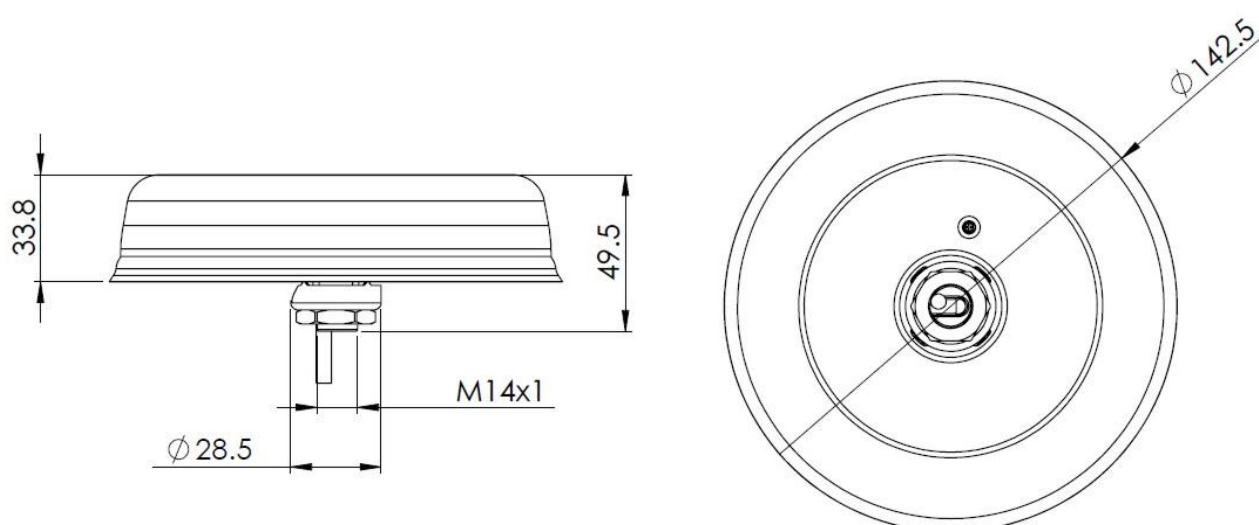
Connector type:	SMA male
Cable:	RG58
Cable length:	250 cm

For different cable length and connector type ask our sales team.

1.3. *Mechanical Specifications and Dimensions*

1.3.1. *Body mount*

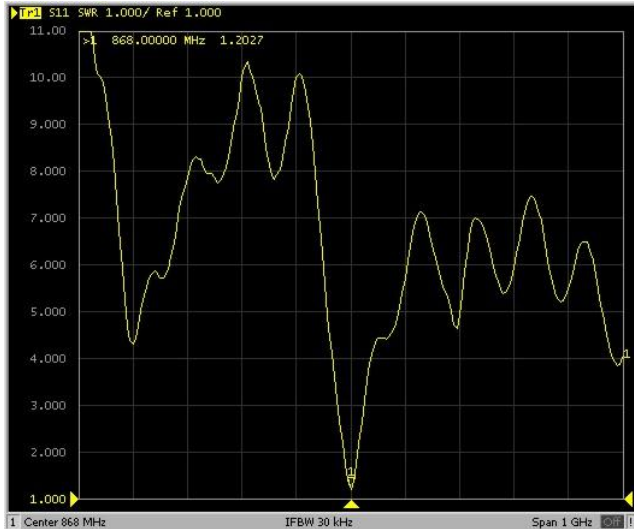
Material:	Base: Zamak / Lid: ABS/ Gasket: TPE
Max. dimensions:	142.6mm x 49.5mm
Colour:	Black (for different colours please ask our sales team)



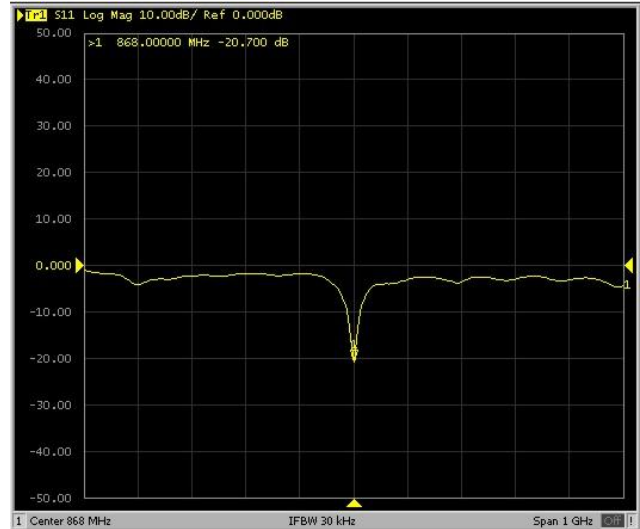
2. MEASUREMENT

- Tested with 50cm cable length

VSWR

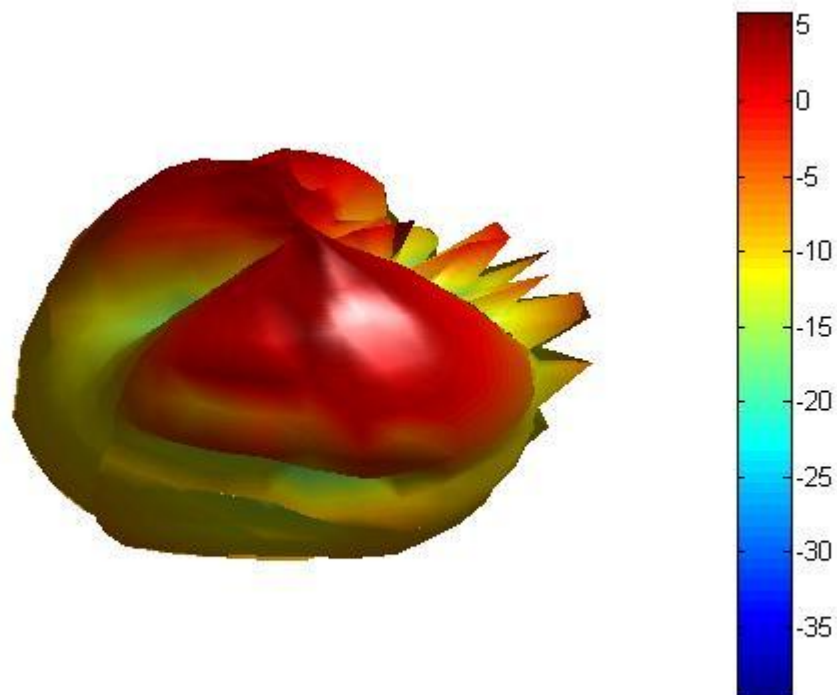


LOG MAG



3D radiation pattern

Freq = 0.8680GHz Az= 45 EL= 45



3. IMAGES

