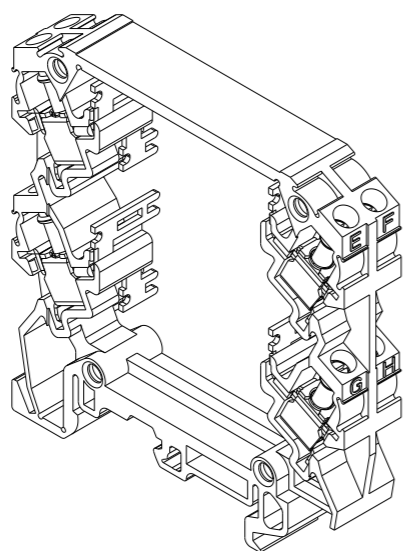
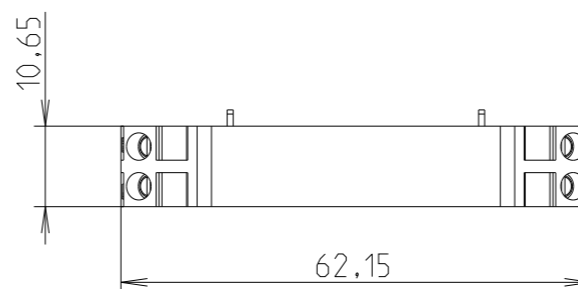
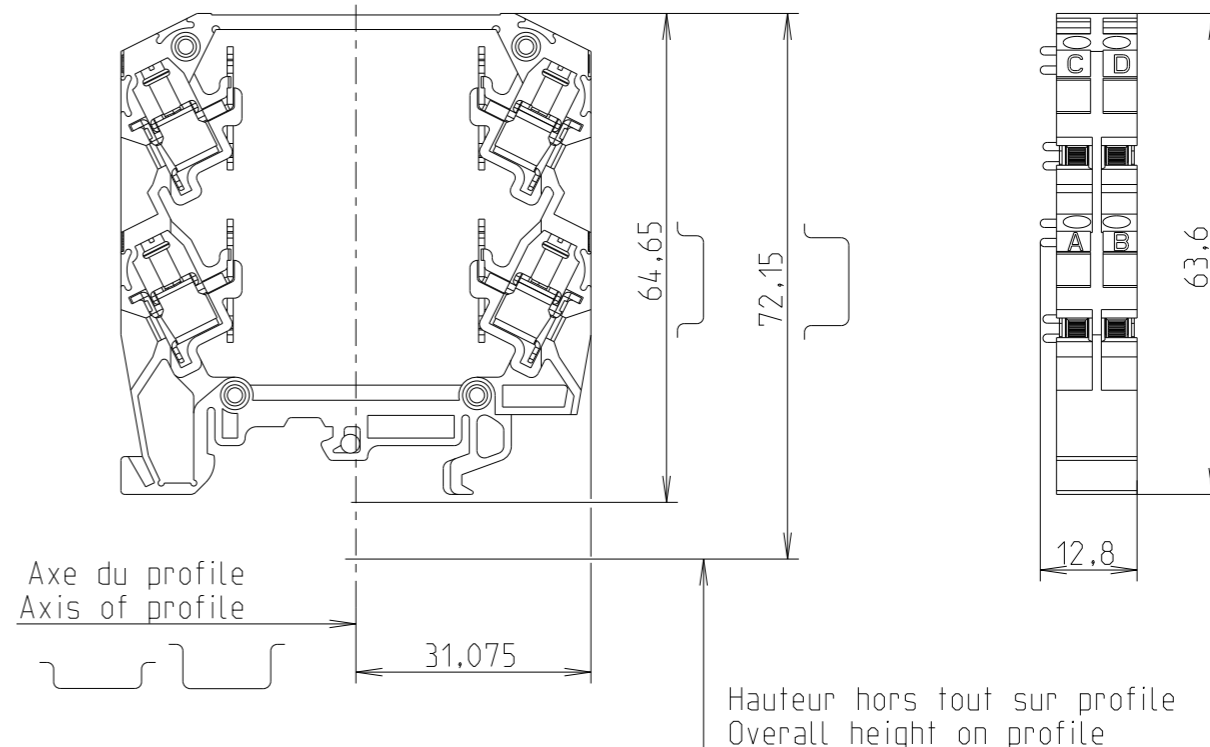
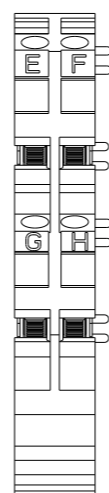
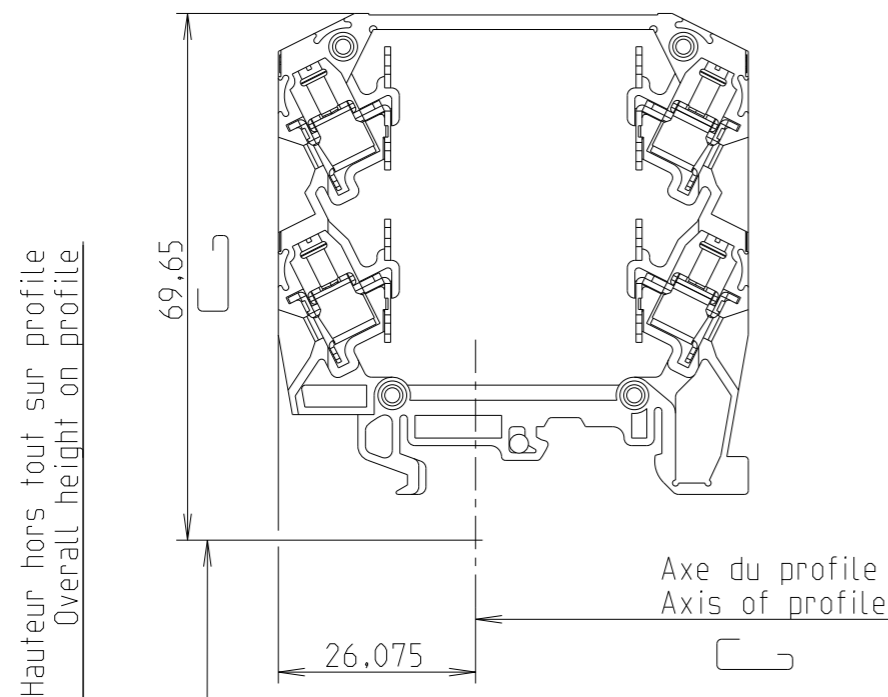


REVISIONS

P	LTR	DESCRIPTION	DATE	DWN	APVD
	A	First Released	08APR2022		



8 wire-clamps ABCDEFGH

THIS DRAWING IS A CONTROLLED DOCUMENT.		DWN - Apr-23 11:55:23 AM Virlouvet, Annie			
DIMENSIONS: mm		TOLERANCES UNLESS OTHERWISE SPECIFIED:			
		0 PLC ±-		NAME EBS8A.G	
		1 PLC ±0.1		1SNA114533R0000	
MATERIAL -		2 PLC ±0.01		SIZE	
		3 PLC ±0.005		A3	
FINISH -		4 PLC ±0.0001		CAGE CODE	
		ANGLES ±		00779	
-		WEIGHT		DRAWING NO	
		23.731		©-1SNP064084-0100	
Customer Drawing		SCALE 1:1		SHEET 1 OF 1	
				REV A2	