

## Han TC100 M-contact 16mm<sup>2</sup> protected

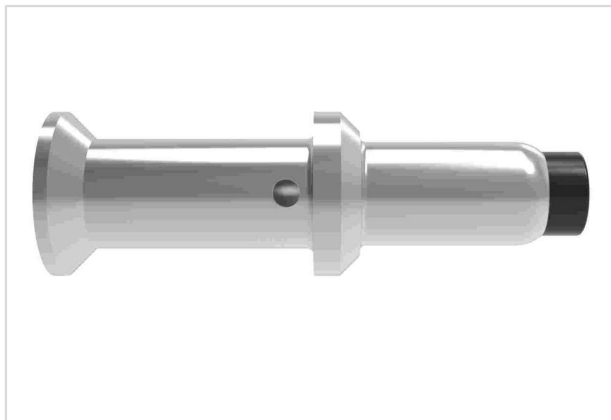


Image is for illustration purposes only. Please refer to product description.

Part number	09 11 000 7112
Specification	Han TC100 M-contact 16mm <sup>2</sup> protected
HARTING eCatalogue	<a href="https://harting.com/09110007112">https://harting.com/09110007112</a>

### Identification

Category	Contacts
Series	TC 100
Type of contact	Crimp contact

### Version

Termination method	Crimp termination
Gender	Male
Manufacturing process	Turned contacts
Details	Touch protection IPXXB in combination with the module 09140013035

### Technical characteristics

Conductor cross-section	16 mm <sup>2</sup>
Rated current	≤100 A
Contact resistance	≤0.3 mΩ
Stripping length	19 mm
Limiting temperature	-40 ... +125 °C
Mating cycles	≥500
Vibration resistance	Category 2 acc. to IEC 61373
Shock resistance	Category 2 acc. to IEC 61373

### Material properties

Material (contacts)	Copper alloy Polyamide (PA)
---------------------	--------------------------------



**Pushing Performance**  
Since 1945

## Material properties

Surface (contacts)	Silver plated
RoHS	compliant
ELV status	compliant
China RoHS	e
REACH Annex XVII substances	Not contained
REACH ANNEX XIV substances	Not contained
REACH SVHC substances	Not contained
California Proposition 65 substances	Not contained

## Specifications and approvals

Specifications	IEC 60664-1 IEC 61984
----------------	--------------------------

## Commercial data

Packaging size	10
Net weight	15.672 g
Country of origin	Romania
European customs tariff number	85366990
eCl@ss	27440204 Contact for industrial connectors
ETIM	EC000796
UNSPSC 24.0	39121522