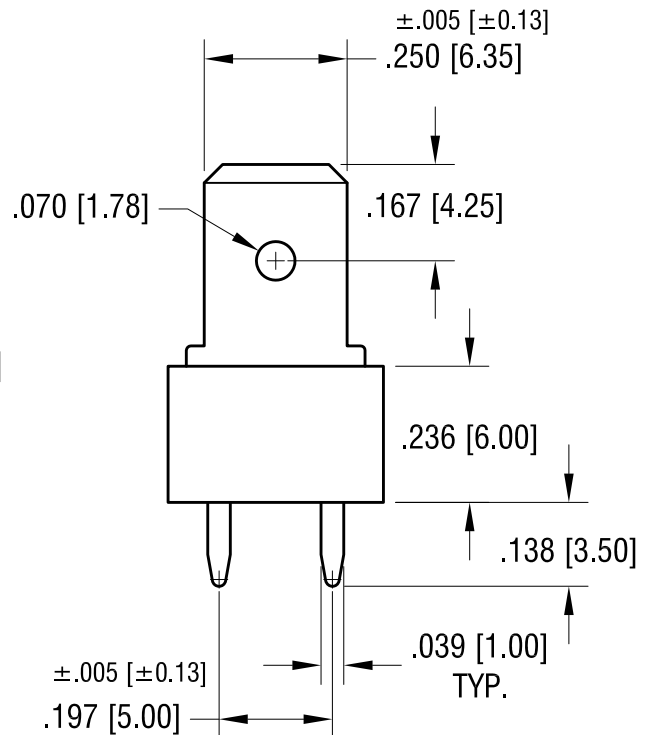
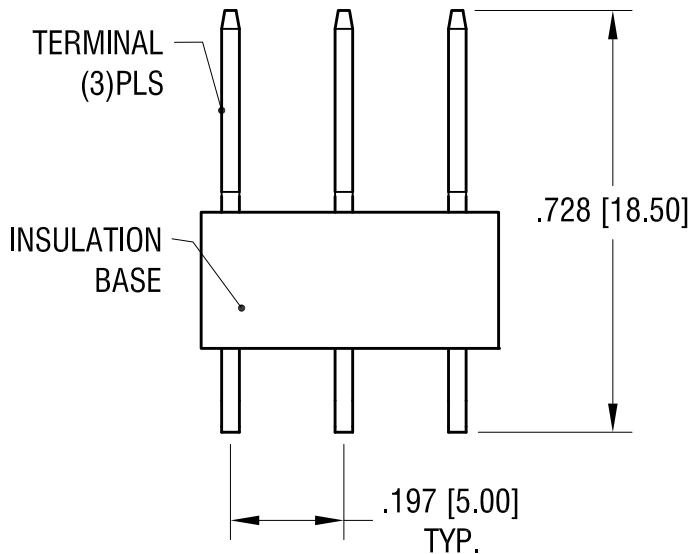
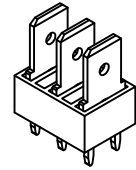
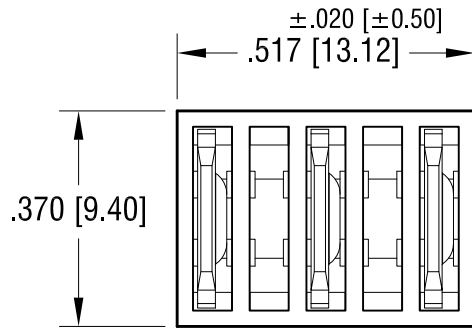


THIS DOCUMENT IS THE PROPERTY OF
KEYSTONE ELECTRONICS CORP. AND
SHALL NOT BE REPRODUCED, DISTRIBUTED
OR USED AS A BASIS FOR MANUFACTURE
WITHOUT PRIOR WRITTEN PERMISSION
FROM KEYSTONE ELECTRONICS CORP.

ACTUAL SIZE



NOTE:
 TERMINAL: MAT'L- .031 [0.78] TH'K BRASS
 FINISH: TIN PLATE
 INSULATION: MAT'L- GLASS FILLED NYLON, 94V-0

KEYSTONE ELECTRONICS CORP.

www.keyelco.com • ASTORIA, N.Y. 11105-2017 • Tel (718) 956-8900

PART NAME
INSULATED QUICK-FIT TERMINAL (3) THREE

MATERIAL
AS NOTED

FINISH AS NOTED	DRN BY NT	DATE 2.14.13
	APP'D LN	SCALE 3X

10.7.13 CHANGE AS PER ECN 13-083 A

TOLERANCES INCH [MM]	CODE	DWG NO.
DECIMAL ±.010 [±0.25]	C	7818
ANGULAR ± 1° UNLESS OTHERWISE SPECIFIED		

DATE	DESCRIPTION	REV.