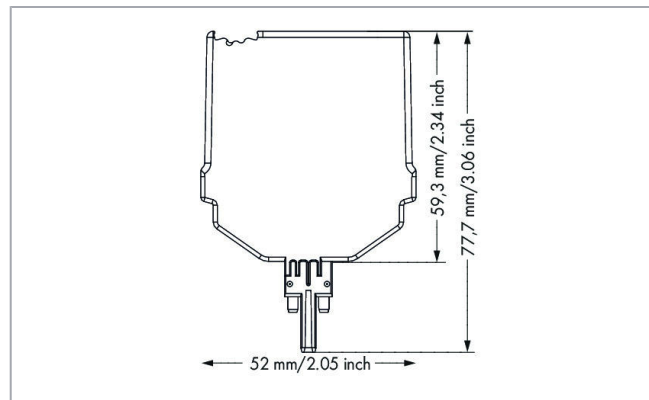
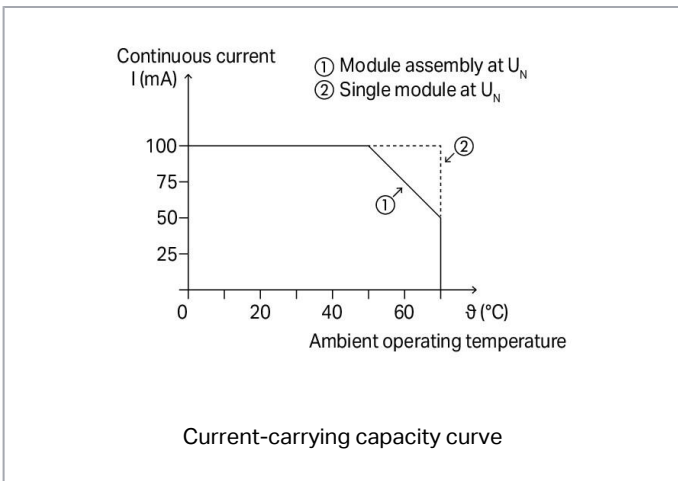
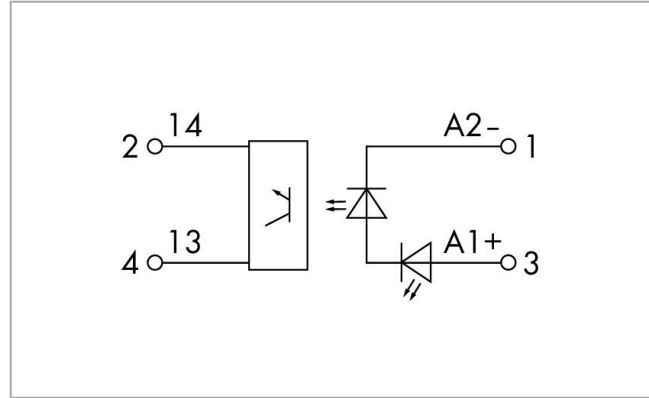
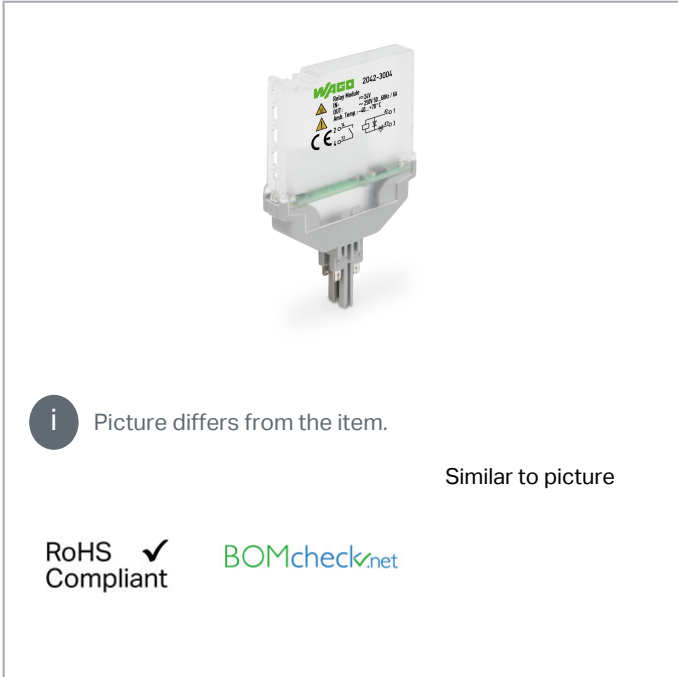


Data sheet | Item number: 2042-7204

Solid-state relay module; Nominal input voltage: 24 VDC; Output voltage range: 3 ... 60 VDC; Limiting continuous current: 0.1 A; 2-wire connection; Path; Frequency: 10 kHz; Green status indicator; Module width: 10 mm



www.wago.com/2042-7204



Item description

Note:

Optocouplers and solid state relays are designed for use in signal processing networks, which are not supplied by the low-voltage power supply networks.

Subject to changes. Please also observe the further product documentation!

WAGO Kontakttechnik GmbH & Co. KG
Hansastr. 27
32423 Minden
Phone: +49571 887-0 | Fax: +49571 887-169
Email: info.de@wago.com | Web: www.wago.com

Do you have any questions about our products?
We are always happy to take your call at +49 (571) 887-44222.



Data

Technical data

Control circuit

Nominal input voltage U_N	DC 24 V (SELV)
Input voltage range (low level)	DC 0 ... 10 V
Input voltage range (high level)	DC 16.8 ... 30 V
Nominal input current at U_N	7 mA
Input current range	6 ... 8 mA

Load circuit

Circuit type	2-wire connection
Limiting continuous current	0.1 A
Nominal output voltage	DC 24 V (SELV)
Output voltage range	DC 3 ... 60 V
Voltage drop at output (max.)	\leq DC 1 V
Switching current (min.)	20 μ A
Turn-on time	\leq 8 μ s
Turn-off time	\leq 14 μ s
Switching frequency	\leq 10 kHz

Signaling

Status indicator	Green LED
------------------	-----------

Safety and protection

Overvoltage category	II
Pollution degree	2
Dielectric strength, control/load circuit (AC, 1 min)	2.5 kVrms
Protection type	IP20

Physical data

Width	10.3 mm / 0.406 inch
Height	77.7 mm / 3.059 inch
Height from the surface	59.3 mm / 2.335 inch

Subject to changes. Please also observe the further product documentation!

WAGO Kontakttechnik GmbH & Co. KG
 Hansastr. 27
 32423 Minden
 Phone: +49571 887-0 | Fax: +49571 887-169
 Email: info.de@wago.com | Web: www.wago.com

Do you have any questions about our products?
 We are always happy to take your call at +49 (571) 887-44222.

Depth	52 mm / 2.047 inch
-------	--------------------

Mechanical data

Mounting type	Pluggable module for TOPJOB® S carrier terminal block
---------------	---

Material data

Flammability class per UL94	V0
Weight	14.6 g

Environmental requirements

Surrounding air temperature (operation at U_N)	-40 ... 70 °C
Surrounding air temperature (storage)	-40 ... 85 °C
Processing temperature	-25 ... +50 °C
Operating altitude (max.)	2000 m

Standards and specifications


Standards/Specifications	EN 61010-2-201; EN 61373; EN 50121-3-2; EN 50121-4; EN 61000-6-2; EN 61000-6-3
--------------------------	--

Commercial data

Packaging type	bag
Country of origin	DE
GTIN	4055143751353
Customs tariff number	85365005000

Approvals / Certificates

UL-Approvals

Logo	Approval	Additional Approval Text	Certificate name
	UL Underwriters Laboratories Inc. (ORDINARY LOCATIONS)	UL 61010-1	E175199

Subject to changes. Please also observe the further product documentation!



Downloads

Documentation

Bid Text

2042-7204 docx - Datei	20. 2. 2019	docx 16.9 kB	Download
---------------------------	-------------	-----------------	----------

2042-7204 X81 - Datei	19. 2. 2019	xml 4.3 kB	Download
--------------------------	-------------	---------------	----------

Instruction Leaflet

Pluggable Relay Module / Pluggable Solid-State Relay Module	V 1.1.0	pdf 2.0 MB	Download
---	---------	---------------	----------

Additional Information

Disposal; Electrical and electronic equipment, Packaging	V 1.0.0	pdf 265.8 kB	Download
--	---------	-----------------	----------

Environmental Product Compliance

Compliance Search

Environmental Product Compliance 2042-7204	URL	Download
--	-----	----------

Solid-state relay module; Nominal input voltage: 24 VDC; Output voltage range: 3 ... 60 VDC; Limiting continuous current: 0.1 A; 2-wire connection; Path; Frequency: 10 kHz; Green status indicator; Module width: 10 mm

Installation Notes

Subject to changes. Please also observe the further product documentation!