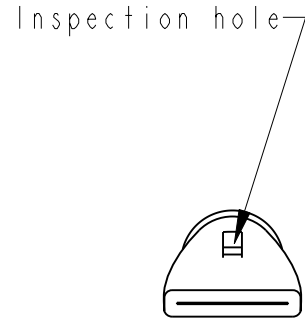
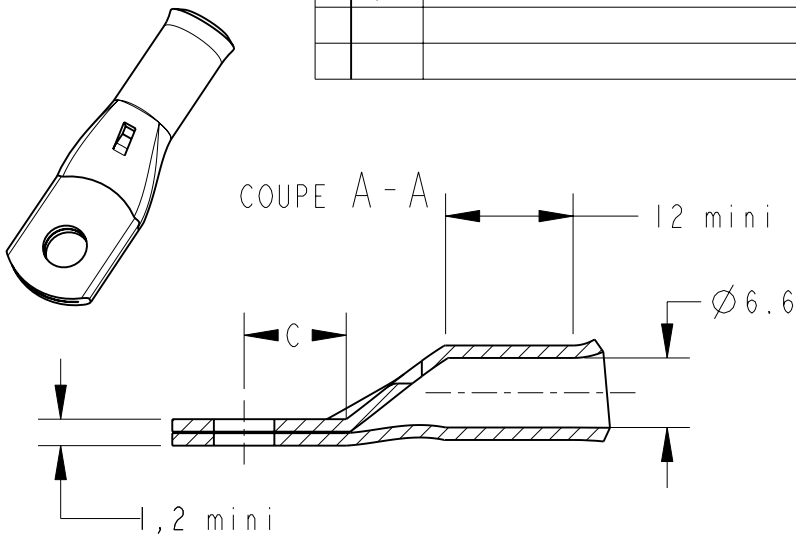
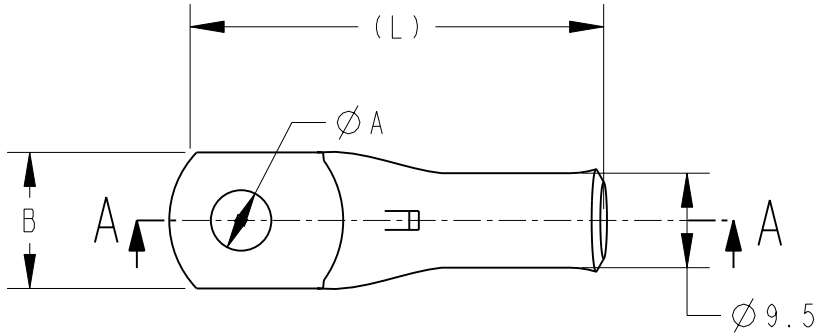


LOC	DIST	REVISIONS				
P	LTR REV	DESCRIPTION MODIFICATIONS	DATE	DWN DESS.	APVD APP.	
FH	00	E1	REVISED PER ECO-11-005150	28MAR2011	RK HMR	
		F	ECR-11-018538	07SEP2011	LP NA	




Ces produits répondent à la norme NFC 20-130.
 These products are NFC 20-130 compliant.



(L)	C	B	ØA	DESCRIPTION	PART NUMBER
35	7	13	5,2	XCT 25-5	710026-1
35	7	13	6,4	XCT 25-6	710026-3
40	9	16	8,3	XCT 25-8	710026-5
44	11	16	10,3	XCT 25-10	710026-7
44	11	16	12,2	XCT 25-12	710026-8

- 1 - MATERIAL = TINNED COPPER
- 2 - Marking in depth: logo-section-hole-Made in France +
- 3 - CABLE SECTION = 3AWG or 25mm²
- 4 - GROOVE E25Cu OR DIE (Punch 17P50+ Die 17M25)

TOLERANCES UNLESS OTHERWISE SPECIFIED: -
 TOLERANCES NON SPECIFIEES: -

DIMENSIONS: mm	DWN/DESSINE D. LEGUY	15DEC00	MATERIAL MATIERE	CUIVRE	FINISH FINITION	ETAME			
	CHK/VERIFIE E. DEREY	-	 TE Connectivity						
TOLERANCES UNLESS OTHERWISE SPECIFIED: TOLERANCES NON SPECIFIEES (SUIV NB DE DECIMALES): 0 PLC/DEC: ±0 1 PLC/DEC: ±0 2 PLC/DEC: ±0 3 PLC/DEC: ±0 4 PLC/DEC: ±0 ANGLES ±-	APVD/APPROUVE N. ALMEIDA	-					NAME TITRE	XCT 25-..	
	PRODUCT SPEC SPEC. PRODUIT	-	SIZE FORMAT	CAGE CODE	DRAWING NO No PLAN	RESTRICTED TO RESERVE A			
	APPLICATION SPEC SPEC. APPLICATION	-	A4	00779	©=710026	-			
	WEIGHT MASSE APPROX.		CUSTOMER DRAWING /PLAN CLIENT		UNIQUEMENT POUR REFERENCE	SCALE ECHELLE - / -	SHEET FEUILLE 1	OF DE 1	REV F