



Fieldbus Coupler PROFIBUS DP; 1st Generation; 12 MBd

Item No.: 750-303



Fieldbus Coupler PROFIBUS DP; 1st Generation; 12 MBd

Marking

RoHS ✓
Compliant

Business data

Supplier	WAGO
Item no.	750-303
GTIN / EAN	4045454659431
Content	1
Order amount	1
Customer item number	

Notes

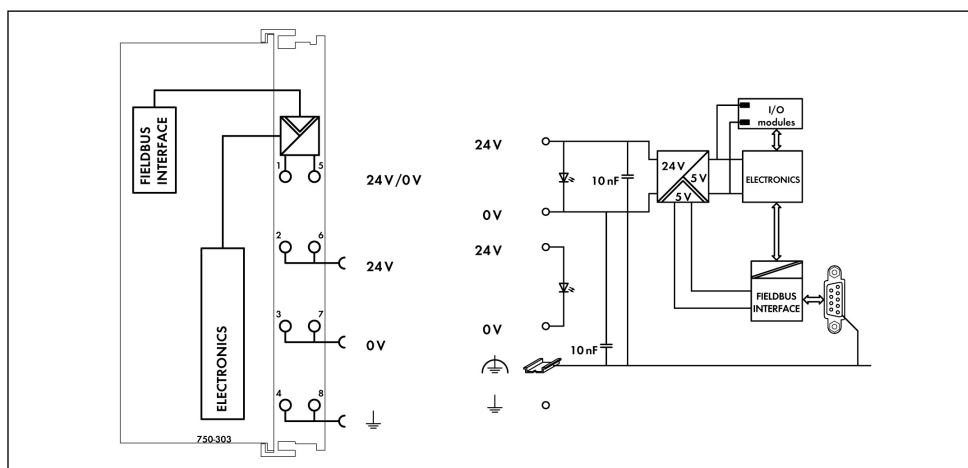
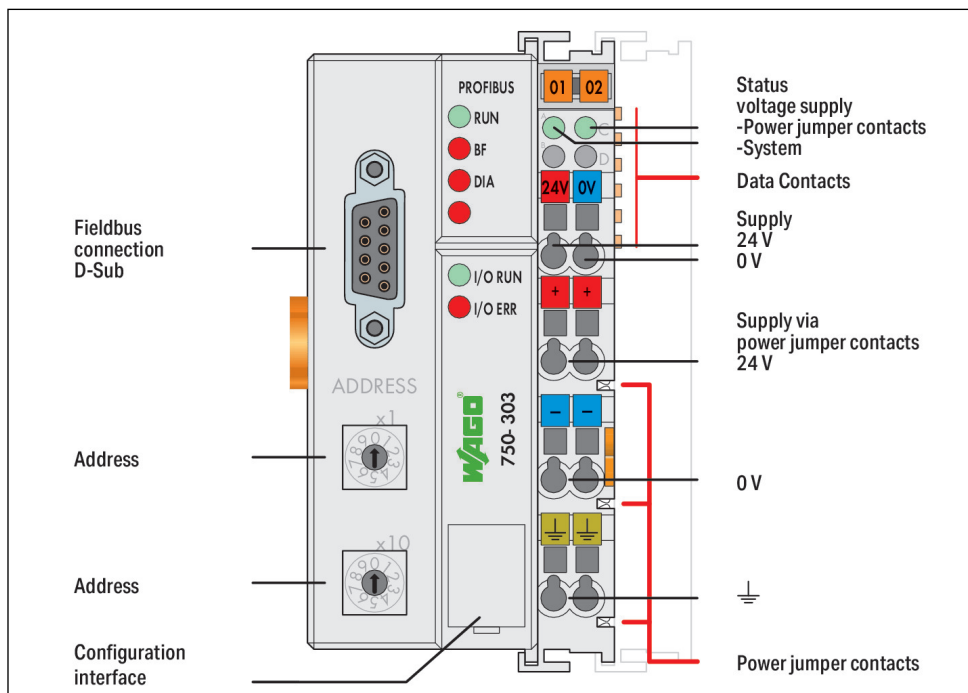
Item description: This buscoupler connects the WAGO I/O SYSTEM as a slave to the PROFIBUS fieldbus. The buscoupler automatically configures, creating a local process image which may include analog, digital or specialty modules. Analog and specialty module data is sent via words and/or bytes, digital data is sent bit by bit. PROFIBUS stores the process image in the corresponding Master control (PLC, PC or NC). The local process image is divided into two data zones containing the data received and the data to be sent. The process data can be sent via the PROFIBUS fieldbus to the PLC, PC or NC for further processing, and received from the field via PROFIBUS. The data of the analog modules is stored in the process image which is created automatically according to the order in which the modules are connected to the buscoupler. The bits of the digital modules are sent byte by byte and added to the analog data. If the amount of digital information exceeds 8 bits, the buscoupler automatically starts with a new byte. Note: When implementing new installations, please consider 750-333 PROFIBUS DP fieldbus coupler with extended functions. Notice: GSD files required! Transmission time: typ. 1 ms (10 couplers; 32 digital I/Os per coupler at 12 Mbaud) max. 3.3 ms

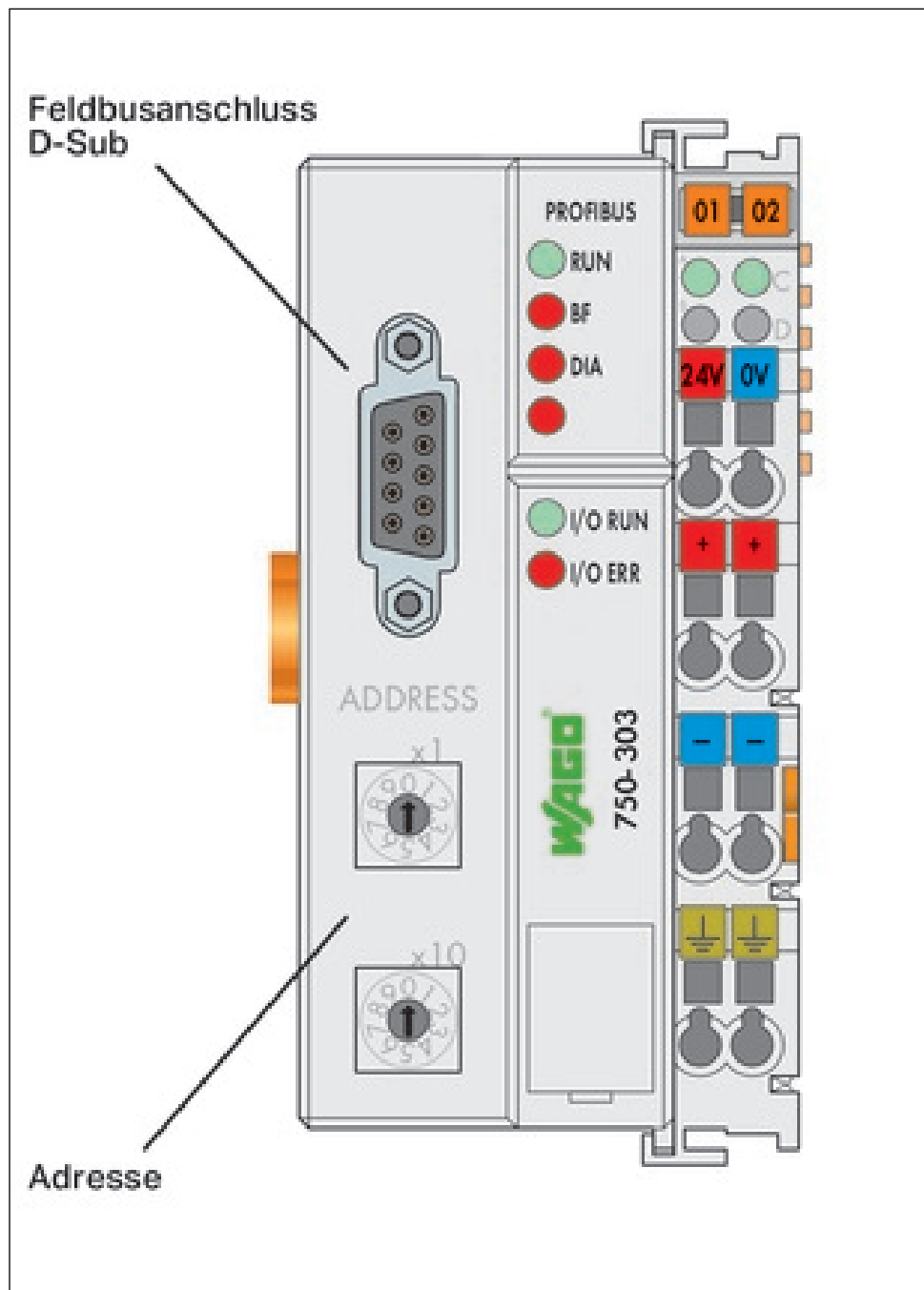
Technical data	
<i>Miscellaneous</i>	
<i>Communication</i>	<i>PROFIBUS</i>
<i>Number of fieldbus nodes on the master max.</i>	<i>96</i>
<i>Max. no. of I/O points</i>	<i>6000</i>
<i>Baud rate</i>	<i>9.6 kBd ... 12 MBd</i>
<i>Fieldbus segment length max.</i>	<i>1200 m</i>
<i>Transmission medium</i>	<i>Cu cable acc. to EN 50170</i>
<i>Number of modules per node max.</i>	<i>64</i>
<i>Max. input and output process image (fieldbus)</i>	<i>128 Byte/128 Byte</i>
<i>Current consumption, system supply [mA]</i>	<i>350 [mA]</i>
<i>Total current for system supply [mA]</i>	<i>1650 [mA]</i>
<i>Field supply voltage</i>	<i>DC 24 V (-25 ... 30 %); via power jumper contacts</i>
<i>Input current typ. at rated load (24 V) [mA]</i>	<i>500 [mA]</i>
<i>Efficiency of the power supply (typ.) at nominal load (24 V)</i>	<i>87 [%]</i>
<i>Isolation</i>	<i>500 V system/supply</i>
<i>Number of outgoing power jumper contacts</i>	<i>3</i>
<i>Current carrying capacity of the power jumper contacts [A]</i>	<i>10 [A]</i>
<i>Certification</i>	<i>PNO</i>
<i>Standard</i>	<i>EN 50170</i>
<i>Connection technology: communication/fieldbus</i>	<i>PROFIBUS: 1 x D-Sub 9 socket</i>
<i>Connection technology: field supply</i>	<i>6 x CAGE CLAMP®</i>
<i>Connection technology: system supply</i>	<i>2 x CAGE CLAMP®</i>
<i>Connection technology: device configuration</i>	<i>1 x 4-pole male connector</i>
<i>Connection type (1)</i>	<i>System-/Feldversorgung</i>
<i>Solid conductor</i>	<i>0.08 ... 2.5 mm² / 28 ... 14 AWG</i>
<i>Fine-stranded conductor</i>	<i>0.08 ... 2.5 mm² / 28 ... 14 AWG</i>
<i>Strip length</i>	<i>8 ... 9 mm / 0.31 ... 0.35 Inch</i>
<i>Width</i>	<i>50.5 mm / 1.988 in</i>
<i>Height</i>	<i>71.1 mm / 2.799 in</i>
<i>Height from upper-edge of DIN-35 rail</i>	<i>63.9 mm / 2.516 in</i>
<i>Depth</i>	<i>100 mm / 3.937 in</i>
<i>Type of mounting</i>	<i>DIN-35 rail</i>
<i>Color</i>	<i>light gray</i>
<i>Housing material</i>	<i>Polycarbonate, polyamide 6.6</i>

Technical data	
<i>Weight [g]</i>	<i>185.202 [g]</i>
<i>Conformity marking</i>	<i>CE</i>
<i>Surrounding air (operating) temperature</i>	<i>0 ... 55 °C</i>
<i>Surrounding air (storage) temperature</i>	<i>-40 ... 85 °C</i>
<i>Degree of protection</i>	<i>IP20</i>
<i>Degree of pollution (5)</i>	<i>2 per IEC 61131-2</i>
<i>Operating altitude</i>	<i>0 ... 2000 m</i>
<i>Mounting position</i>	<i>horizontal (standing/lying) or vertical</i>
<i>Relative air humidity (no condensation) [%]</i>	<i>95 [%]</i>
<i>Vibration resistance</i>	<i>4g per IEC 60068-2-6</i>
<i>Shock resistance</i>	<i>15g per IEC 60068-2-27</i>
<i>EMC immunity to interference</i>	<i>acc. to EN 61000-6-2, marine applications</i>
<i>EMC emission of interference</i>	<i>acc. to EN 61000-6-4, marine applications</i>
<i>Exposure to pollutants</i>	<i>Per IEC 60068-2-42 and IEC 60068-2-43</i>
<i>Permissible H2S contaminant concentration at a re</i>	<i>10 [ppm]</i>
<i>Permissible SO2 contaminant concentration at a re</i>	<i>25 [ppm]</i>
<i>Packaging type</i>	<i>BOX</i>
<i>Product Family</i>	<i>750/753 Series I/O-System</i>
<i>Main product function</i>	<i>Fieldbus couplers</i>
<i>Product type</i>	<i>Fieldbus couplers</i>
<i>[mm]</i>	<i>50.5 [mm]</i>

Images & drawings









Address

WAGO Kontakttechnik GmbH & Co. KG

Hansastr. 27

32423 Minden

Telefon: 0571/887-0

Fax: 0571/887-169

<http://www.wago.com>

© WAGO Kontakttechnik GmbH & Co. KG

Technische Änderungen und Irrtümer vorbehalten.