

794611-1 ✓ ACTIVE

MATE-N-LOK | Micro MATE-N-LOK

TE Internal #: 794611-1

Receptacle Contact, Tin, 250 VAC, 250 VDC, Snap-In Contact

Retention, 30 – 26 AWG Wire Size, .05 – .13 mm<sup>2</sup> Wire Size, Micro

MATE-N-LOK

[View on TE.com >](#)



Connectors > Contacts > Connector Contacts



Contact Type: **Receptacle**

Contact Mating Area Plating Material: **Tin**

Wire Contact Termination Area Plating Material: **Tin**

Operating Voltage: **250 VDC**

## Features

### Product Type Features

Discrete Wire Type	Stranded
Sealable	No

### Electrical Characteristics

Operating Voltage	250 VDC
-------------------	---------

### Contact Features

Mating Square Post Dimension	.64 mm[.025 in]
Wire Contact Termination Area Plating Thickness	1.5 – 4 µm[59.05 – 157.48 µin]
Wire Contact Termination Area Plating Material Finish	Bright
Contact Mating Area Plating Material Thickness	1.5 – 4 µm[59.05 – 157.48 µin]
Contact Mating Area Plating Material Finish	Bright
Contact Orientation	Straight
Barrel Type	Open
Contact Type	Receptacle
Contact Mating Area Plating Material	Tin
Wire Contact Termination Area Plating Material	Tin



Contact Retention Within Housing	With
Contact Base Material	Phosphor Bronze
Contact Current Rating (Max)	5 A

#### Termination Features

Termination Method to Wire & Cable	Crimp
Product Terminates To	Wire & Cable

#### Mechanical Attachment

Wire Insulation Support	With
Contact Retention Type Within Housing	Snap-In

#### Dimensions

Compatible Insulation Diameter Range	.89 – 1.52 mm [.035 – .06 in]
Wire Size	100 – 254 CMA

#### Usage Conditions

Operating Temperature Range	-40 – 105 °C [-40 – 221 °F]
-----------------------------	-----------------------------

#### Operation/Application

Circuit Application	Power
---------------------	-------

#### Industry Standards

Compatible With Agency/Standards Products	VDE
---	-----

#### Packaging Features

Packaging Quantity	500
Packaging Method	Reel

#### Product Compliance

[For compliance documentation, visit the product page on TE.com>](#)

EU RoHS Directive 2011/65/EU	Compliant
EU ELV Directive 2000/53/EC	Compliant
China RoHS 2 Directive MIIT Order No 32, 2016	No Restricted Materials Above Threshold
EU REACH Regulation (EC) No. 1907/2006	Current ECHA Candidate List: JAN 2024 (240) Candidate List Declared Against: JAN 2024 (240) Does not contain REACH SVHC
Halogen Content	Low Halogen - Br, Cl, F, I < 900 ppm per

homogenous material. Also BFR/CFR/PVC Free

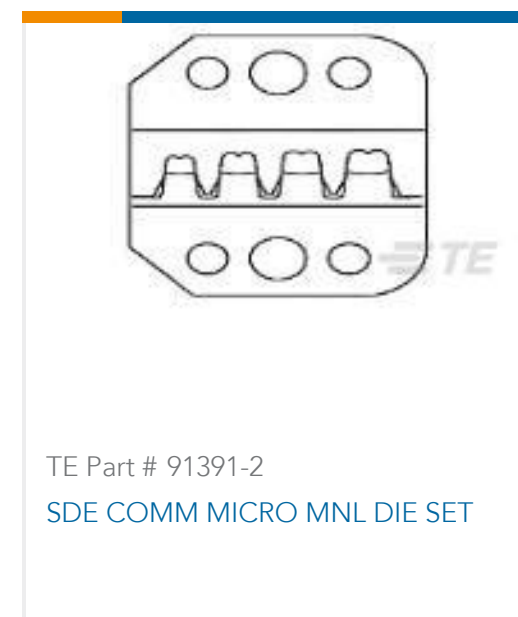
Solder Process Capability

Not applicable for solder process capability

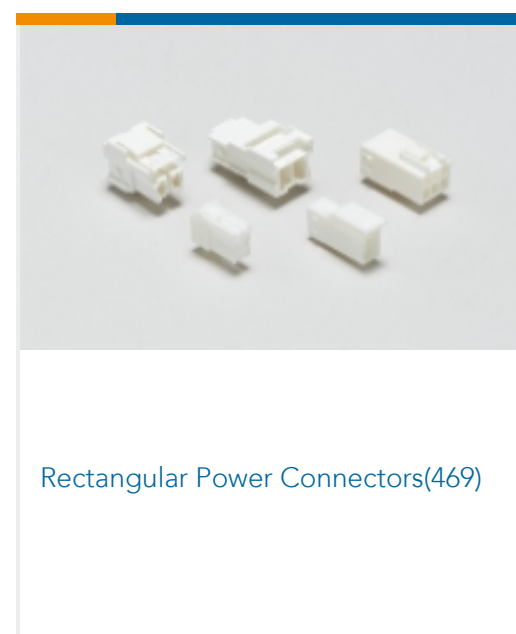
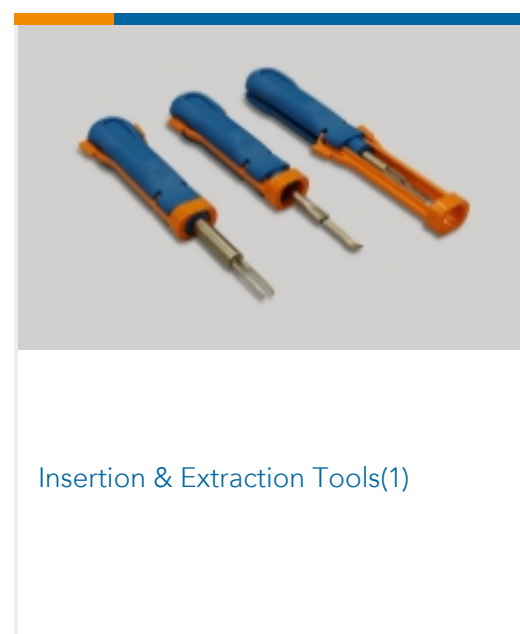
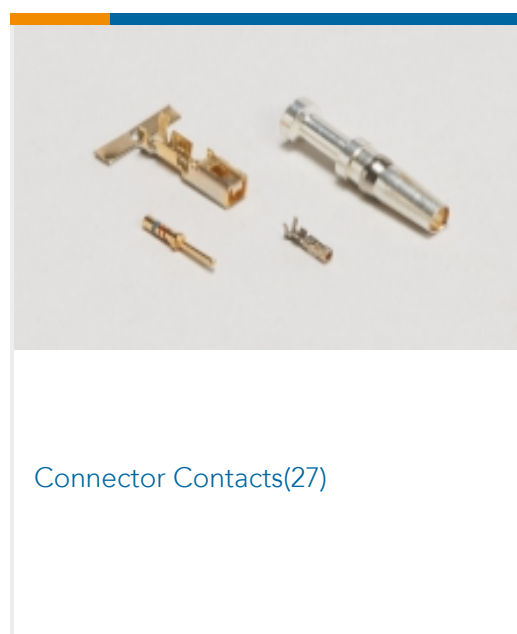
#### Product Compliance Disclaimer

This information is provided based on reasonable inquiry of our suppliers and represents our current actual knowledge based on the information they provided. This information is subject to change. The part numbers that TE has identified as EU RoHS compliant have a maximum concentration of 0.1% by weight in homogenous materials for lead, hexavalent chromium, mercury, PBB, PBDE, DBP, BBP, DEHP, DIBP, and 0.01% for cadmium, or qualify for an exemption to these limits as defined in the Annexes of Directive 2011/65/EU (RoHS2). Finished electrical and electronic equipment products will be CE marked as required by Directive 2011/65/EU. Components may not be CE marked. Additionally, the part numbers that TE has identified as EU ELV compliant have a maximum concentration of 0.1% by weight in homogenous materials for lead, hexavalent chromium, and mercury, and 0.01% for cadmium, or qualify for an exemption to these limits as defined in the Annexes of Directive 2000/53/EC (ELV). Regarding the REACH Regulation, the information TE provides on SVHC in articles for this part number is based on the latest European Chemicals Agency (ECHA) 'Guidance on requirements for substances in articles' posted at this URL: <https://echa.europa.eu/guidance-documents/guidance-on-reach>

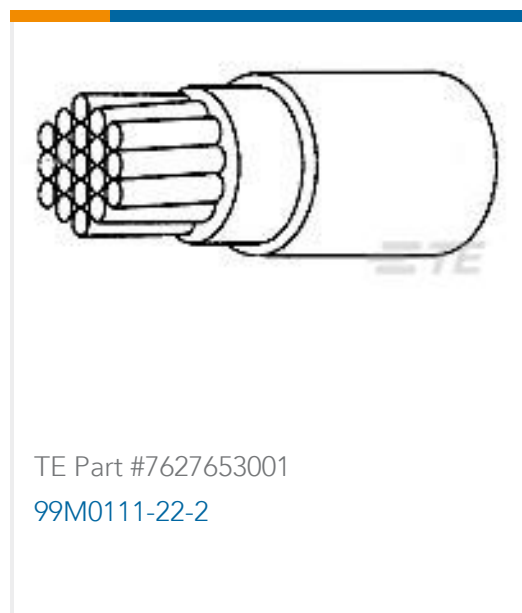
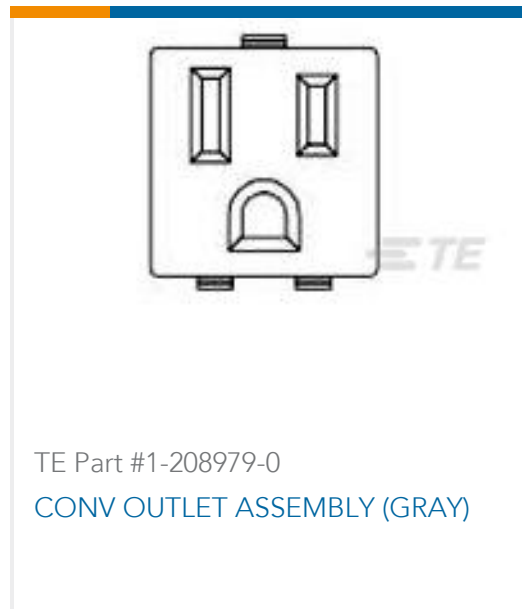
## Compatible Parts



## Also in the Series | Micro MATE-N-LOK



## Customers Also Bought



## Documents

### Product Drawings

MICRO MNL RPT CNT,LS PC,TIN

English

### CAD Files

Customer View Model

[ENG\\_CVM\\_794611-1\\_D.3d\\_igs.zip](#)

English

Customer View Model

[ENG\\_CVM\\_794611-1\\_D.3d\\_stp.zip](#)

English

Customer View Model

[ENG\\_CVM\\_794611-1\\_D.2d\\_dxf.zip](#)

English

3D PDF

English

By downloading the CAD file I accept and agree to the [Terms and Conditions](#) of use.

## Datasheets & Catalog Pages



[SOFT\\_SHELL\\_PIN\\_AND\\_SOCKET\\_CONNECTORS\\_CATALOG](#)

English

[MICRO MATE-N-LOK CONNECTOR SYSTEM](#)

English

---

[Product Specifications](#)

[Application Specification](#)

English