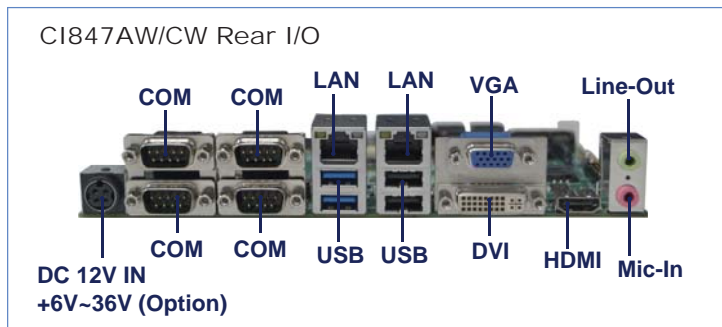


C1847AW/CW Series

Back Panel



- ▶ Intel® Ivy Bridge Celeron 1047 UE 1.4Ghz ; i3, i7, LEX SBC, DDR3 SO-DIMM, VGA, DVI, HDMI, LVDS
2 x Gb Intel Ethernet, 2 x Mini PCIe, 1 x SIM card socket, 9 x USB, 6~10 x COM

▶ Features

- Embedded Intel® Celeron 1047 UE 1.4Ghz ; i3, i7 + Intel Panther Point (PCH) HM76
- DDR3 SO-DIMM x 2 Socket,
- Display: VGA, DVI ,HDMI & LVDS
- 2 x Intel GbE LAN, 2 x USB 3.0 & 2.0 ; 7 x USB 2.0, Line-out, Mic-in, 6~10 x COM
- 2 x Mini PCIe ; 1 x SIM card socket

Specification:

| MODEL | C1847AW | C1847CW |
|-----------------------|--|--|
| CPU Type | Intel® Ivy Bridge Celeron 1047 UE 1.4Ghz ; i3, i7 | |
| MB Chipset | Intel Panther Point Platform Controller Hub (PCH) HM76 | |
| BIOS | AMI BIOS | |
| Graphics | GPU Type: GT1, Integrated Graphics Frequency 350-800 Mhz DirectX* Video Acceleration (DXVA) support for accelerating video processing ; Display Ports: CRT / DVI / HDMI & LVDS | |
| System Memory | Support DDR3 SO-DIMM x 2 up to 16 GB | |
| NAND flash memory | On board SSD 2 / 4 / 8 / 16 / 32 / 64 GBytes (optional with mSATA) | |
| SATA | 2 x SATA ports 3.0 Data transfer rates up to 6.0 Gb/s (600 MB/s) 2 x SATA ports 2.0 Data transfer rates up to 3.0 Gb/s (300 MB/s) 1 x mini card socket for mSATA ; 1 x on board NAND drive (Option) | |
| Audio | Intel High Definition Audio Specification, Support Line-out, Mic-in | |
| LAN | 2 x Intel 10 / 100 / 1000 Mbps | |
| LVDS/Touch Screen | LVDS (Touch Option) | Dual Ch 18 / 24 Bit LVDS ; USB touch screen controller |
| IO Function | 5 x (external x 3 + internal x 2) RS232 or 422 / 485, 1 x external RS232 / 422 / 485 for 6C version 5 x (external x 3 + internal x 2) RS232 or 422 / 485, 1 x external RS232 / 422 / 485, 4 x internal RS232 or 485 for AC version | |
| USB | 2 x USB 3.0 (external) on board ; 2 x USB 2.0 (external) on board, 5 x USB 2.0 (internal) | |
| DVI/HDMI | 1 x DVI-D support resolution 1920 x 1200 ; 1 x HDMI support resolution 1920 x 1200 | |
| DIO & WDT | Hardware digital Input & Output, 8 x DI / 8 x DO Hardware Watch Dog Timer, 0~255 sec programmable | |
| Expansion Interface | 1 x PCIe Mini card for PCIe by one and USB interface; 1 x PCIe Mini card for PCIe / mSATA and USB interface One 3G SIM card socket, (2nd SIM card socket optional) ; 1 x PCI golden finger | |
| Power | On board DC +12V, Wide Range DC in +9~36V (Option) | |
| Dimension | 200 x 150 mm (LEX STD) | |
| Operation Temperature | -20°C ~ 70°C | |
| Operation Humidity | 5 ~ 95%, non-condensing | |