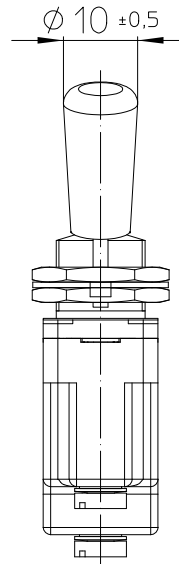
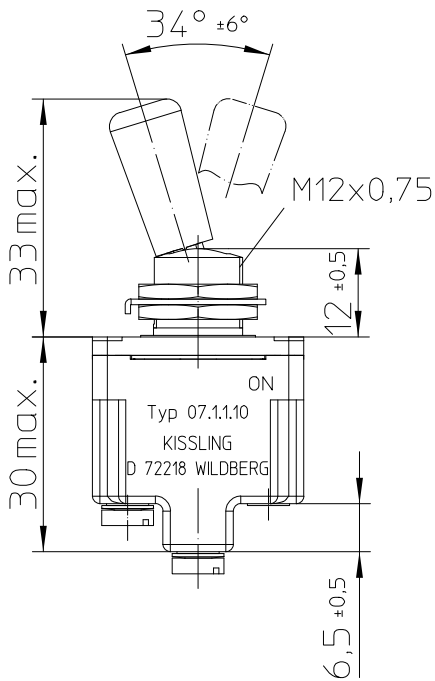


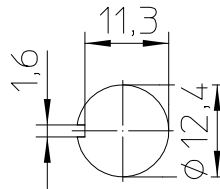
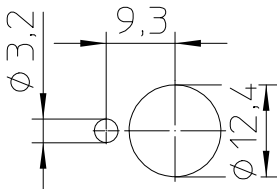
keyway opposite keyway



Mounting Detail

with locking ring

without locking ring



For this drawing we reserve the copyright in accordance with DIN ISO 16016

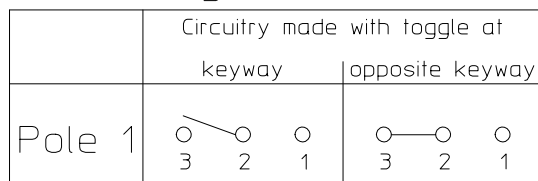
	Date	Name
Create	21.11.2006	Walz
Edited	20.09.2019	Mielk
Check	23.09.2019	Stack

mm ↔	Scale 1:1
General Tolerances DIN ISO 2768 cL	



Drawing No:	07-1-1-10
NSN:	

Circuit Diagram



Actuation

locking keyway side

locking opposite keyway side

Construction

Material, Casing Thermoplast GF

Material, Cover GD-ZnAl4Cu1

Connections Screws M3,5x6 ISO 1580

Protection Interior IP 6K5 DIN 40 050 Part 9

Connections IP 00 DIN 40 050 Part 9

Mechanical Data

Current carrying parts CuZn-Alloy

Contacts Ag

Ambient Temperature Range -35°C to +60°C

Storage Temperature Range -35°C to +80°C

Life Cycle (nominal Load) 100.000 operations

Electrical Data

Voltage 12 V DC ohmic Load 20A

28 V DC ohmic Load 20A

28 V DC inductive Load at L/R = 5 ms 15A

28 V DC lamp Load 5A

115 V AC ohmic Load 15A

115 V AC inductive Load $\cos. \varphi = 0,75, 10A$

115 V AC lamp Load 3A

Motor Load utilisation category AC3 (see DIN VDE 0660 Part 107) 5A

Min. Rating 12 V DC, 20 mA

It is recommended to use gold-plated contacts
for lower currents or voltages.

 For this drawing we reserve the copyright
in accordance with DIN ISO 16016

	Date	Name		Scale 1:1		Drawing No:
Create	21.11.2006	Walz				General Tolerances DIN ISO 2768 cL
Edited	20.09.2019	Mielk	NSN:			
Check	23.09.2019	Stack				