

har-modular male angled pre-ass L60,96 M

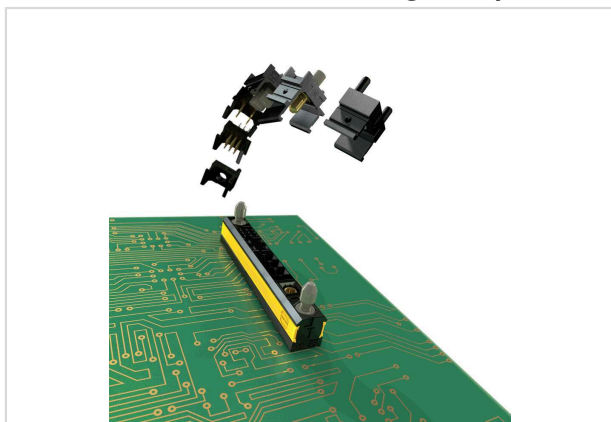


Image is for illustration purposes only. Please refer to product description.

Part number	C0 25 100 0000 0004
Specification	har-modular male angled pre-ass L60,96 M
HARTING eCatalogue	https://harting.com/C02510000000004

Identification

Category	Connectors
Series	har-modular®
Element	Male connector
Specification	Pre-assembled connector
Description of the contact	Angled

Version

Installed modules	1x 02519031301 https://harting.com/02519031301
	2x 02519000002 https://harting.com/02519000002
	3x 02519010401 https://harting.com/02519010401
Length	60.86 mm
Termination method	Reflow soldering termination (THR)
	Wave soldering termination
Connection type	Motherboard to daughtercard

Technical characteristics

Insulation resistance	$>10^{11} \Omega$
Limiting temperature	-55 ... +125 °C (during reflow soldering max. +240 °C for 15 s)
Performance level	1
	acc. to IEC 60603-2
Mating cycles	≥ 500
Isolation group	I ($600 \leq CTI$)
Hot plugging	No



Pushing Performance
Since 1945

Technical characteristics

Moisture Sensitivity Level (MSL)	1 acc. to ECA/IPC/JEDEC J-STD-020D
----------------------------------	------------------------------------

Material properties

Material (insert)	Polyamide (PA)
Colour (insert)	Black Yellow
Material flammability class acc. to UL 94	V-0
RoHS	compliant
ELV status	compliant
China RoHS	e
REACH Annex XVII substances	Not contained
REACH ANNEX XIV substances	Not contained
REACH SVHC substances	Not contained
California Proposition 65 substances	Not contained
Requirement set with Hazard Levels	R26

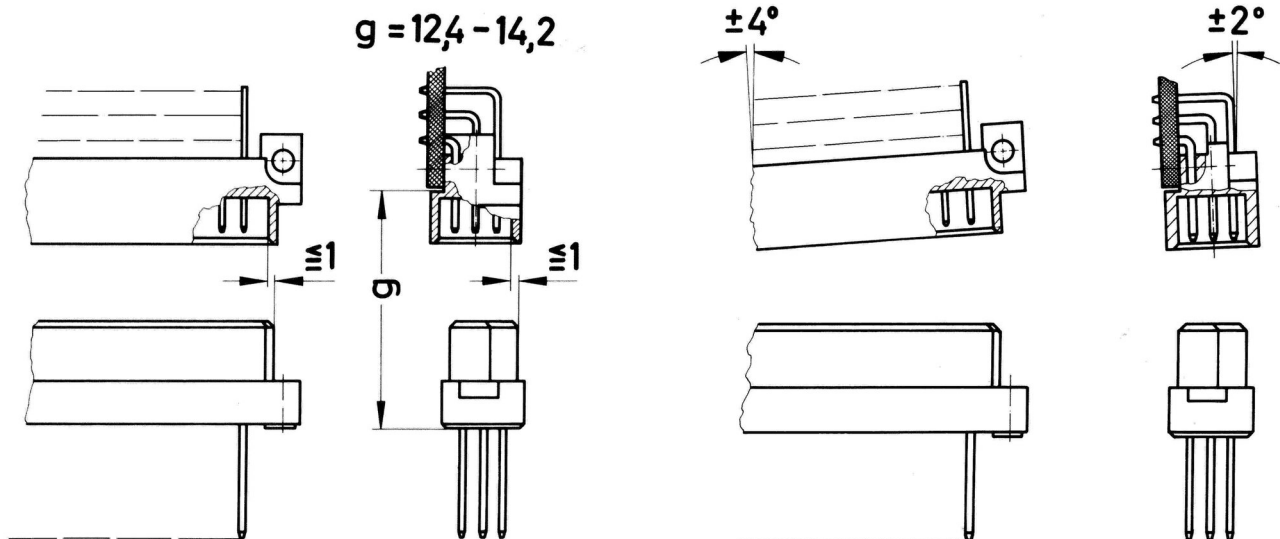
Specifications and approvals

UL / CSA	UL 1977 ECBT2.E102079 CSA-C22.2 No. 182.3 ECBT8.E102079
Railway classification	F1/I2 acc. to NFF 16-101/102

Commercial data

Packaging size	120
Net weight	20 g
Country of origin	Romania
European customs tariff number	85366990
GTIN	5713140282513
eCl@ss	27460201 PCB connector (board connector)
ETIM	EC002637
UNSPSC 24.0	39121415

Mating conditions



To ensure reliable connections and prevent unnecessary damage, please refer to the application data diagrams. These recommendations are set out in IEC 60603-2. The connectors should not be coupled and decoupled under electrical load.