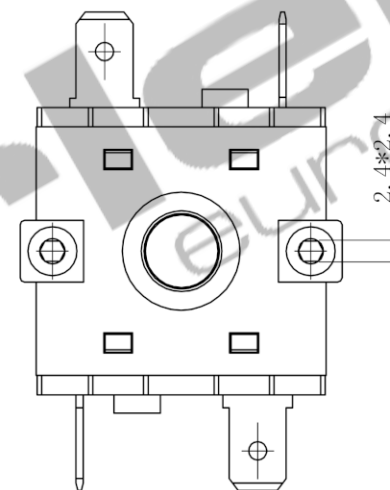
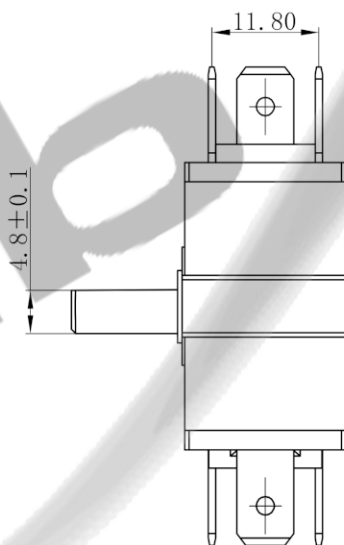
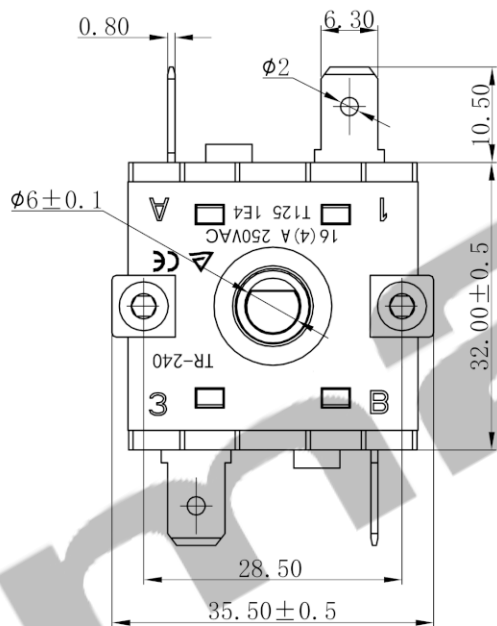
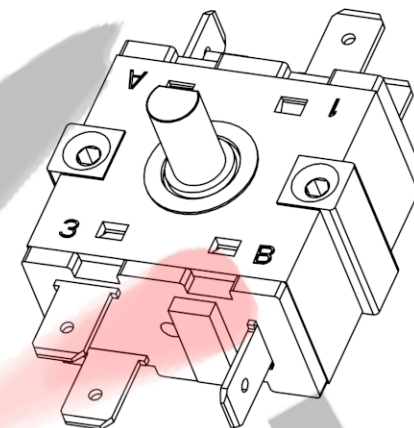


Circuit

Position		input output			
		A 3	1 B	2	4
A	1		(CONNECT)		
	2			(CONNECT)	
B	3				(CONNECT)
	4	(CONNECT)	(CONNECT)	(CONNECT)	
rotary angle		0°	30°	60°	90°



	TR-240-34-16-01R	
	TITLE	SERIES
	ROTARY SWITCH	TR-240
VIEWS TYPE		
		14-03-2024