



## Operating tool; of insulating material

Item No.: 2065-189



Operating tool; of insulating material

### Marking

RoHS   
Compliant

### Business data

Supplier	WAGO
Item no.	2065-189
GTIN / EAN	4055143634571
Content	1
Order amount	50
Customer item number	

### Notes

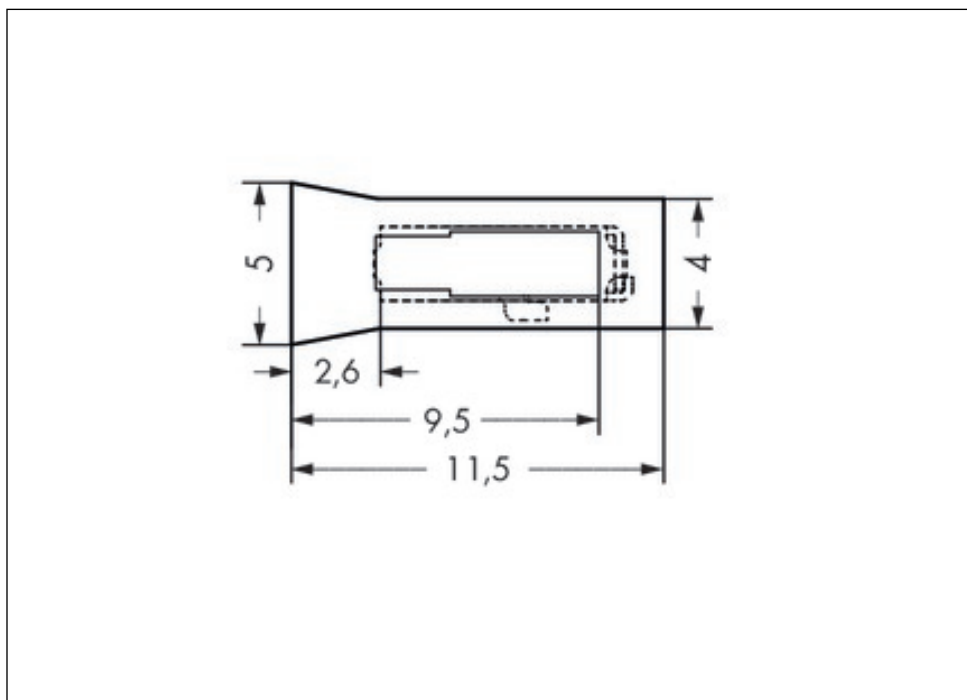
### Technical data

#### Miscellaneous

Main product function	Operating tools
Color	white
Weight [g]	1.56 [g]
Packaging type	BOX
Suitable	2065 Series
Product type	Tools

Images & drawings





**Address**

WAGO Kontakttechnik GmbH & Co. KG

Hansastr. 27

32423 Minden

Telefon: 0571/887-0

Fax: 0571/887-169

<http://www.wago.com>

© WAGO Kontakttechnik GmbH & Co. KG

Technische Änderungen und Irrtümer vorbehalten.