

REV.	DESCRIPTION	DRAWN	DATE
2	210D-11C2B REVISION TO 210D-11CB2	FROS	2016/11/01
3	ECR1900016	FROS	2019/09/04
3.1	ECR241028001	TIM	2024/10/28

SPECIFICATION:

1. ELECTRICAL

- 1.1 Current Rating: 1.5A
- 1.2 Voltage Rating: 125VAC
- 1.3 Contact Resistance: 35mΩ
- 1.4 Insulation Resistance: 1,000MΩ
- 1.5 Dielectric Withstanding Voltage: 1,000VAC

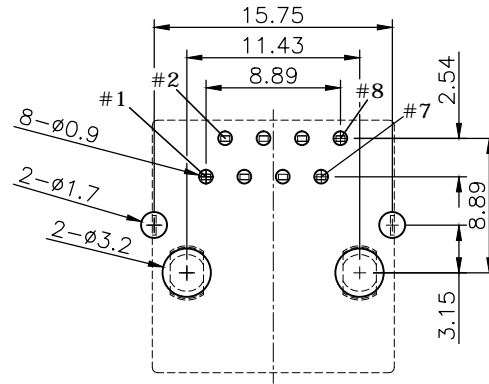
2. MECHANICAL

- 2.1 Durability: 750 Cycle
- 2.2 PCB Retention Pre-Solder: 1LB min.
- 2.3 PCB Retention Post-Solder: 10LBS min.

3. ENVIRONMENTAL

- 3.1 Operating temperature range: -40°C~+85°C
- 3.2 Storage temperature range: -40°C~+85°C

Mates with modular plug conforming to FCC part 68, subpart F.

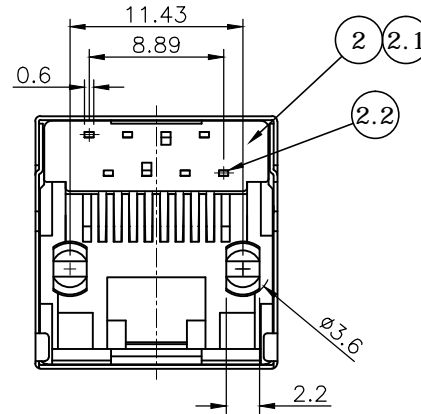
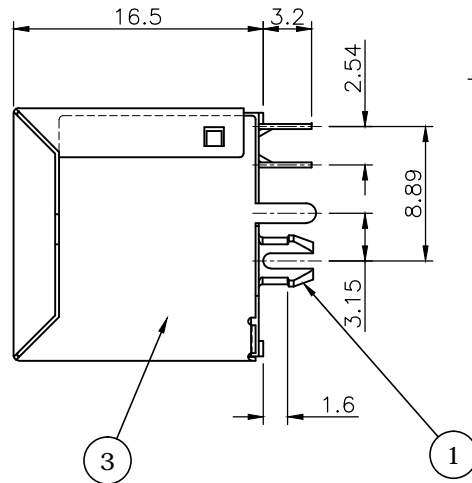
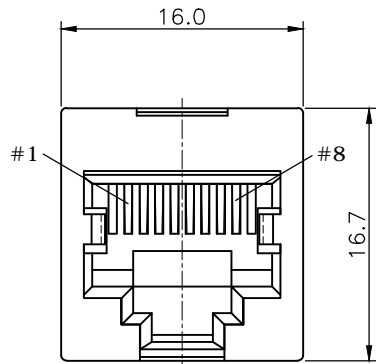


RECOMMENDED LAYOUT (TOP VIEW)
GENERAL TOLERANCE: ±0.1

210D - 11 C B 2

Cat 6 RJ45
Module Jack

Top Entry, Metal Shield
w/o EMI Tab
5u" Gold Plating
1x1 Port



3	SHELL	Brass C2680 0.2t, 30u"~50u" Nickel plating
2.2	CONTACT	Phosphor Bronze C5210 0.35t, 5u" selective Gold plating over 50u" Nickel
2.1	INSULATOR	Zytel HTNFR52, UL94V-0, Black
2	INSERT	Assembly
1	HOUSING	Zytel HTNFR52, UL94V-0, Black
NO.	PART NAME	DESCRIPTION

UNLESS OTHERWISE SPECIFIED TOLERANCE

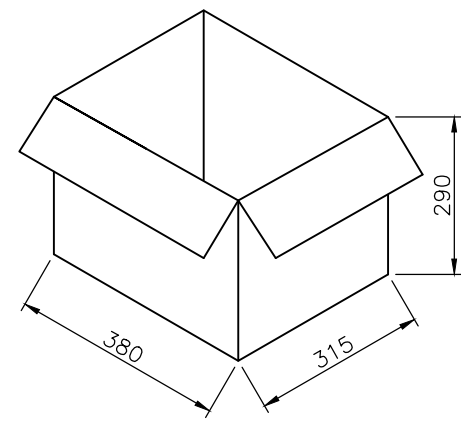
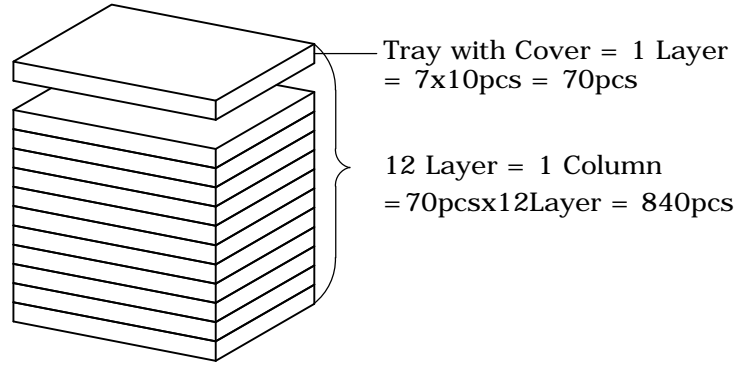
UNIT:	DECIMAL	LINEAR	ANGLES
mm	X.	±0.50	±5°
	X.X	±0.25	±3°
	X.XX	±0.12	±1°



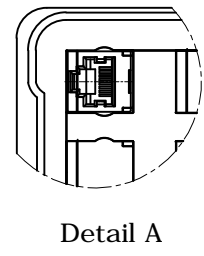
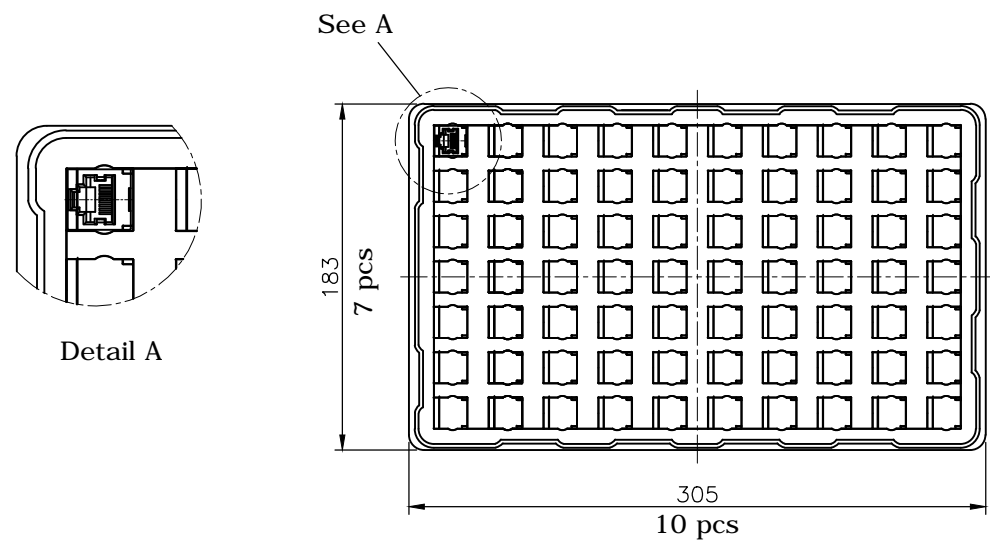
WWW.ATTEND.COM.TW



DRAWN	Fros	2015/12/14	DRAWN NAME:	RJ45 Cat.6 Top Entry Jack, Metal Shield w/o EMI Tab, STP, 5u" Gold
CHECKED	Amy	2015/12/14	PRODUCT NO.	210D-11CB2
APPROVED	Ken	2015/12/14	SCALE	2.0
			SHEET	1/2
			SIZE	A4
			FILE NAME	210D-11CB2_B_3.1

REV.	DESCRIPTION	DRAWN	DATE
	SEE SHEET ONE		



1 Carton = 2 Column
= 840pcs x 2 = 1680pcs



UNLESS OTHERWISE SPECIFIED TOLERANCE					
UNIT:	DECIMAL	LINEAR	ANGLES		
mm	X.	±0.50	±5°		
	X.X	±0.25	±3°		
	X.XX	±0.12	±1°		
DRAWN	Fros	2015/12/14	DRAWN NAME:		
CHECKED	Amy	2015/12/14	RJ45 Cat.6 Top Entry Jack, Metal Shield w/o EMI Tab, STP, 5u" Gold		
APPROVED	Ken	2015/12/14	PRODUCT NO.	210D-11CB2	
	SCALE	SHEET	SIZE	FILE NAME	
	1/4	2/2	A4	210D-11CB2_B_3.1	