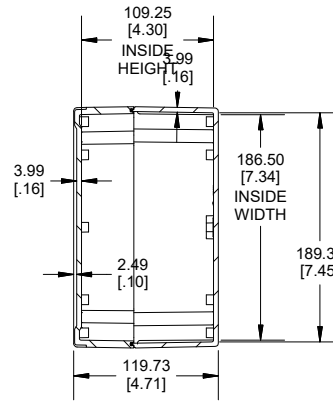
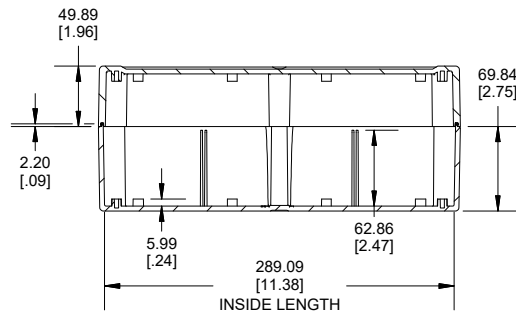
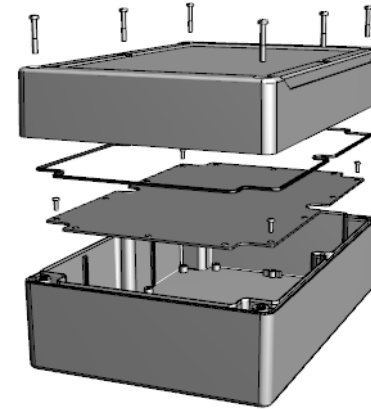


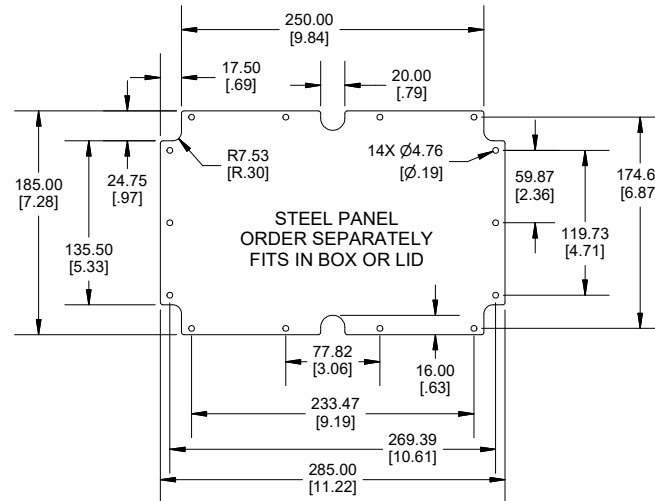
TOP VIEW



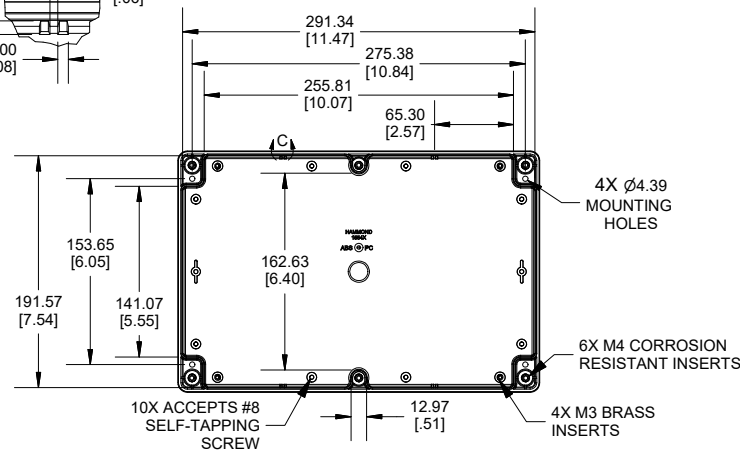
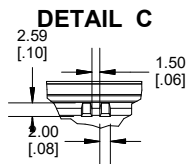
SECTION A-A  
END VIEW



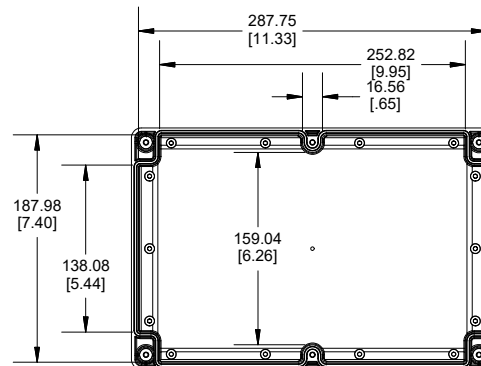
SECTION B-B  
SIDE VIEW



STEEL PANEL  
ORDER SEPARATELY  
FITS IN BOX OR LID



INSIDE BOX



INSIDE LID

Dimensions:  
mm  
[inches]

POLYCARBONATE  
VERSION ONLY  
UL US LISTED  
FILE #E65324  
TYPE 4,4X,6,6P

Enclosures can be Factory Modified (Milling, Drilling, Printing etc.)  
Contact Factory ([modshop@hammondmfg.com](mailto:modshop@hammondmfg.com)) for quotes  
Solid models of this enclosure available in .stp or .x\_t  
(Part number and text placement/orientation on our products are subject to change,  
we do not recommend using them as a locating reference for modification purposes)

NOTE

6 cover screws, and  
preformed silicone gasket.  
General Purpose ABS version is not UL approved. (Matl UL94 - HB)  
Polycarbonate version is UL 508A approved. (Matl UL94 - 5VA @ 3mm)

Recommended Cover screw torque -- 43-57 ozf-in (30-40 cN-m)

1555XA	
1555XA Regular Enclosure	
General Purpose ABS RAL-7035	1555XAGY
Polycarbonate RAL-7035	1555XA2GY
ACCESSORIES	
Steel Inner Panels	1554XPL
Steel Panel / P.C. Board Screw [M3-0.5 x 8mm Plated] (Pkg 100)	1591MM100
Steel Panel / P.C. Board Self Tapping Screw [#8 X 5/16" (6.4mm)]	SC554-100
Stainless Steel Cover Screws [M4-0.7 X 25mm] (Pkg 50)	SC583-50
Silicone Pre-formed Gasket Black (Pkg 2)	1554XGASKET

**HAMMOND  
MANUFACTURING**  
**1555XA**  
[www.hammondmfg.com](http://www.hammondmfg.com)