

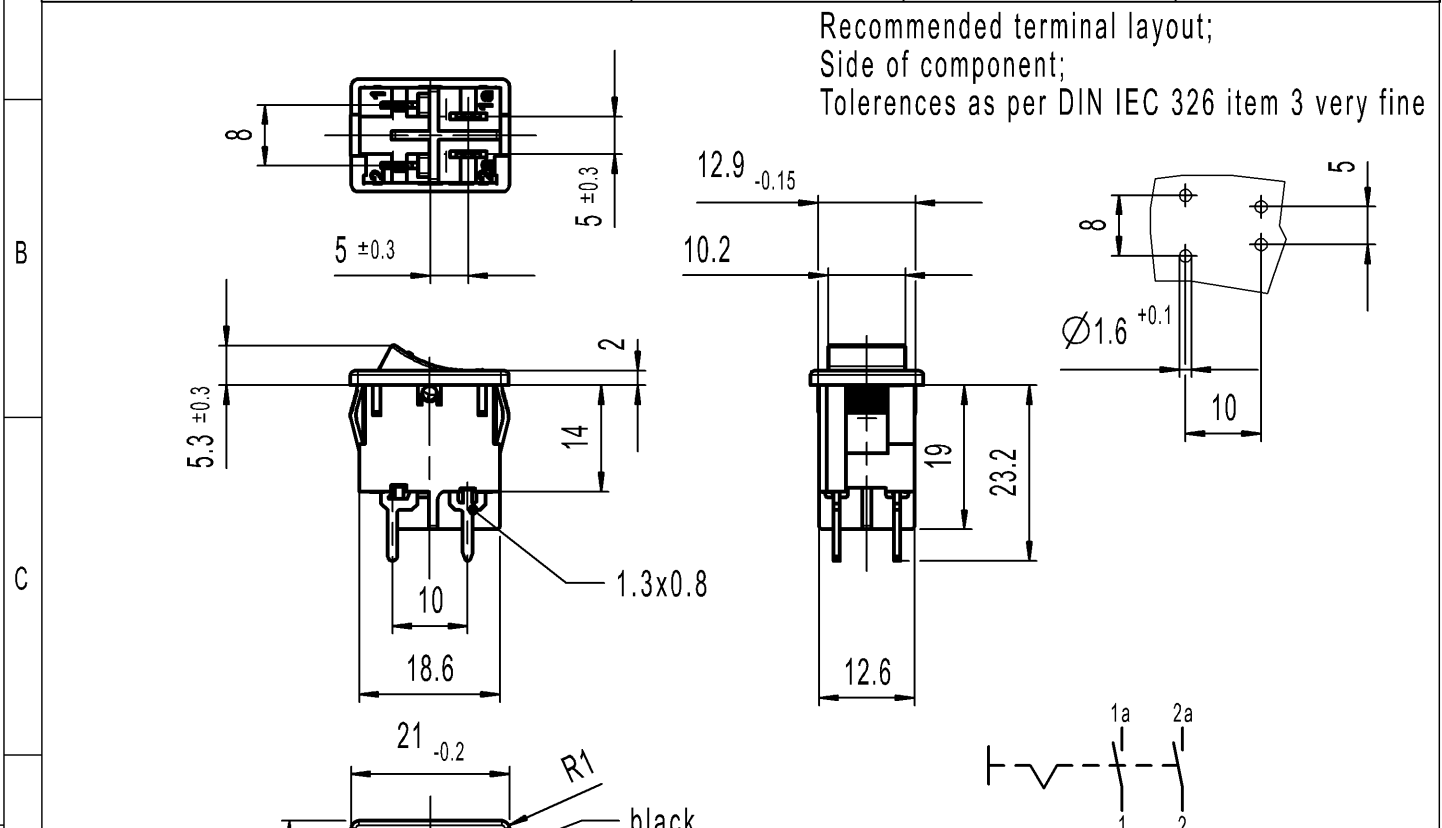
THIS DRAWING IS THE EXCLUSIVE PROPERTY OF MARQUARDT. WITHOUT THEIR CONSENT IT MAY NOT BE REPRODUCED OR GIVEN TO THIRD PARTIES.

CONFIDENTIAL

VERTRAULICH

Alle Rechte bei Marquardt, auch fuer den Fall von Schutzrechtsanmeldungen. Jede Veruegungsbefugnis, wie Kopier- und Weitergaberecht, bei uns.

A	recommended cut-out for snap-in fixing (edge opposite to snap-in direction)	1	2	3	4
		wall thickness	length of cut-out	width of cut-out	
		0.75 to 1.25	19.2-0.1	12.9+0.1	
		1.25 to 2	19.4-0.1	12.9+0.1	
		2 to 3	19.8-0.1	12.9+0.1	



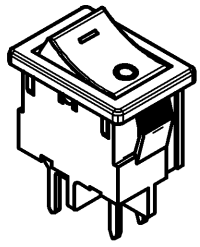
black
rocker black
symbol white

DPST
Suitable for appliances of class II

Marking
 (M)
 1852.
 4(1)/250~T85/55
 IEC 05

6A 125V AC
 4A 250V AC
 1/10 HP 125-250V AC
 R52

Code of manufacture: place/year/month



-	-	-	1852.2104-XX
Figure	Type	Customer Part No.	Art.No.-PI
Shape and location	Angle ± 2°	Sheet 01	Ident. K
	Edge tolerance	Format DIN A4	Document number 18522104
	Length	Projection	Index e
	Radii	Scale 1:1	Appliance Switch
		All dimensions are in millimetres	
e	141197	2022-12-27	MOHITEN
d	66876	2010-01-19	HHE
c	63303	2009-05-07	HHE
b	29403	2000-10-10	MUT
Index	MEC-No.	Date (YYYY-MM-DD)	Edited by
			System NX V1899
			Replacement of Zg.gl.Nr.v.16.06.1993

