

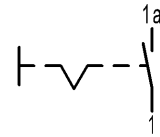
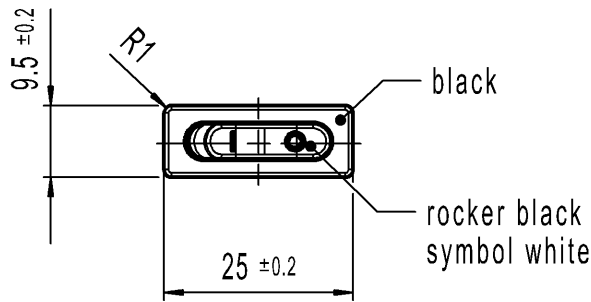
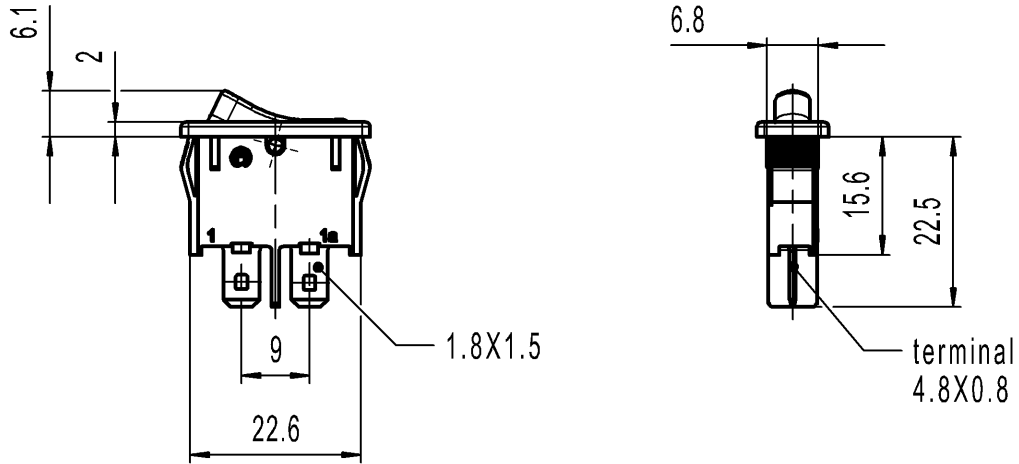
CONFIDENTIAL

VERTRAULICH

Alle Rechte bei Marquardt, auch fuer den Fall von Schutzrechtsanmeldungen. Jede Veruegungsbefugnis, wie Kopier- und Weitergaberecht, bei uns.

THIS DRAWING IS THE EXCLUSIVE PROPERTY OF MARQUARDT. WITHOUT THEIR CONSENT IT MAY NOT BE REPRODUCED OR GIVEN TO THIRD PARTIES.

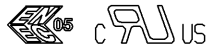
A	recommended cut-out for snap-in fixing (edge opposite to snap-in direction)	1	2	3	4
			wall thickness	length of cut-out	width of cut-out
		0.75 to 1.25	23.2 -0.1	6.8+0.1	
		1.25 to 2	23.4 -0.1	6.8+0.1	
		2 to 3	23.8 -0.1	6.8+0.1	



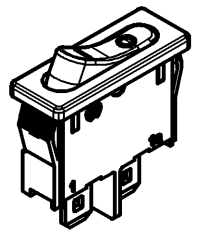
SPST
Suitable for appliances of class II

Marking

1911.
4(1)/250~5E4
6(2)/250~
T80/55



Code of manufacture: place/year/week
On box: Customer Part No. see variant table



-	-	0041.0661	1911.1104-XX
Figure	Type	Customer Part No.	Art.No.-PI
Shape and location	Angle $\pm 2^\circ$	Sheet 01	Ident. K
	Edge tolerance	Format DIN A4	Document number 19111104
	Length	Projection	Index d
	Radii	Scale 1:1	Appliance Switch
d	141238	All dimensions are in millimetres	
c	117433	System NX V1899	
b	102884	Replacement of	
a	43248	Zg.gl.Nr.v.12.07.1999	
Index	MEC-No.	Date (YYYY-MM-DD)	Edited by

