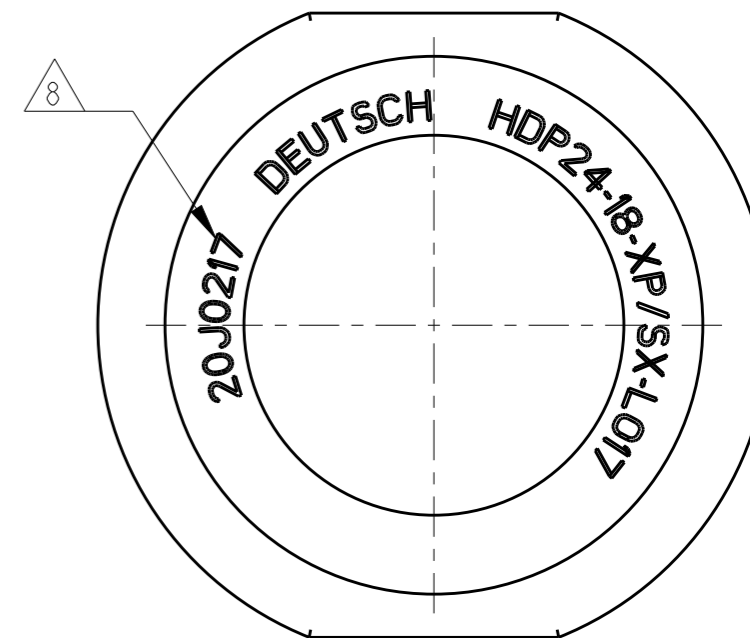
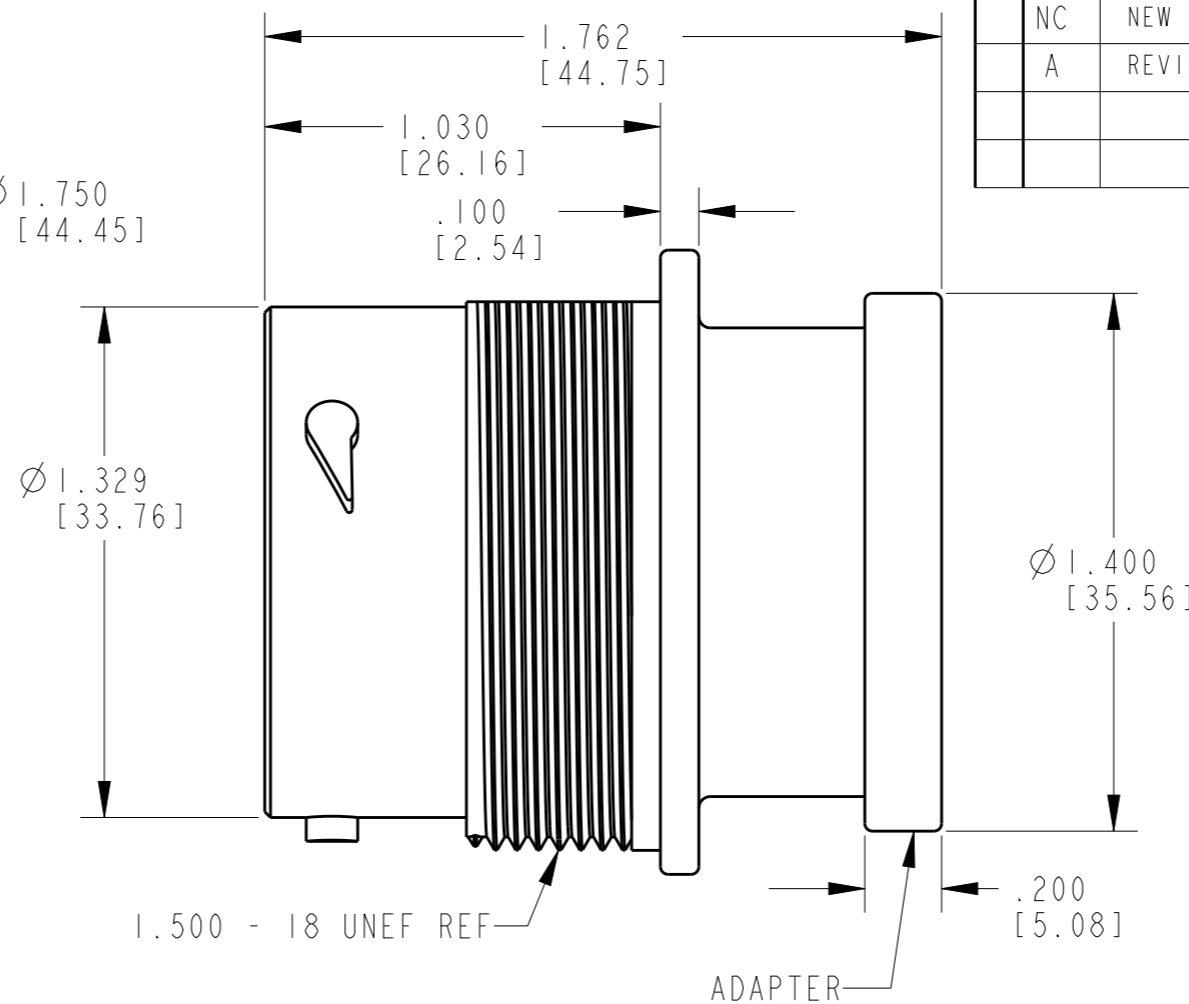
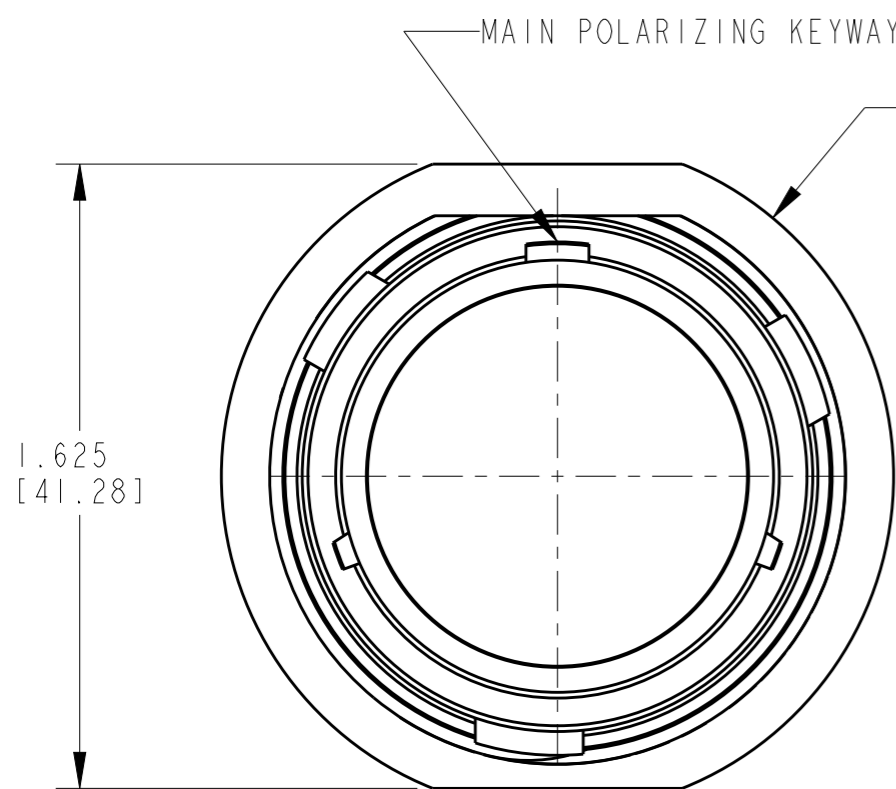


P	LTR	DESCRIPTION	DATE	DWN	APVD
NC		NEW RELEASE PER E.O. PI8277	09MAR2003	-	RDR
A		REVISED PER PCN E-20-013840	18SEP2020	MK	IG

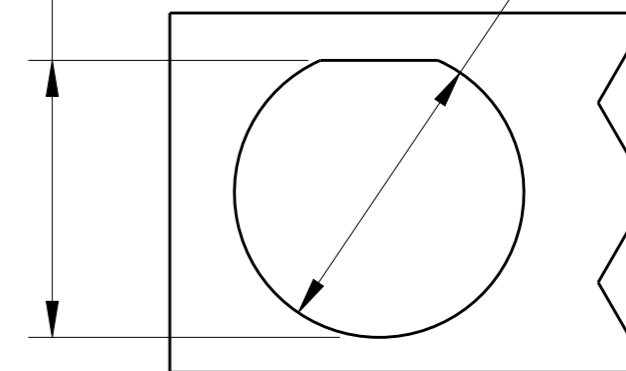


△ DATE CODE: IDENTIFIES THE YEAR, MONTH, DAY AND HOUR OF ASSEMBLY
 YEAR: FIRST AND SECOND DIGITS. (14=2014)
 MONTH: THIRD DIGIT, EXCLUDING I.A=JAN., B=FEB., C=MARCH... (K=OCT.)
 DAY: FOURTH AND FIFTH DIGIT (14=14th DAY)
 HOUR: SIXTH AND SEVENTH DIGIT (11=11AM)

7. THIS RECEPTACLE TO BE USED WITH 2411-002-1805 (PLASTIC) PANEL NUT.
6. FOR PERFORMANCE AND APPLICATION CHARACTERISTICS SEE ENVELOPE DRAWING 0425-021-0000.
5. THIS RECEPTACLE MATES WITH HDP26-18-***P/S*-***** (***** = ALL MODIFICATIONS)
4. FOR CONTACTS AND WIRE PERFORMANCE AND APPLICATION CHARACTERISTICS SEE ENVELOPE DWG. 0425-015-0000.
3. RECOMMENDED PANEL THICKNESS: .062[1.57] TO .1875[4.76] MAX.
2. BACKSHELL ADAPTER COLOR REFLECTS WIRE SEAL DIAMETER. (GREEN="N" SEAL; GREY='T' SEAL; BLUE='E' SEAL).
1. FOR CONTACTS ARRANGEMENTS, SEE ENVELOPE DRAWING 0425-013-1800.

1.442±.010
[36.63±0.25]

∅ 1.507±.005
[38.28±0.12]



RECOMMENDED PANEL MOUNTING HOLE

THIS DRAWING IS A CONTROLLED DOCUMENT.		DWN A. ROLINSKI 12AUG2003														
		CHK J. APOSTOL 02SEP2003														
		APVD S. BEARD 18AUG2003	NAME PLASTI RECEPTACLE CONNECTOR BAYONET COUPLING HDP SERIES -L017 MOD													
DIMENSIONS: INCH [MM]		PRODUCT SPEC 108-151015	RESTRICTED TO													
TOLERANCES UNLESS OTHERWISE SPECIFIED:		APPLICATION SPEC 114-151015	SIZE A3	CAGE CODE 00779												
<table border="0"> <tr><td>0 PLC</td><td>±-</td></tr> <tr><td>1 PLC</td><td>±-</td></tr> <tr><td>2 PLC</td><td>±-</td></tr> <tr><td>3 PLC</td><td>±.025</td></tr> <tr><td>4 PLC</td><td>±-</td></tr> <tr><td>ANGLES</td><td>±-</td></tr> </table>		0 PLC	±-	1 PLC	±-	2 PLC	±-	3 PLC	±.025	4 PLC	±-	ANGLES	±-	WEIGHT 23.1 g	DRAWING NO C=HDP24-18-XPSX-L017	
0 PLC	±-															
1 PLC	±-															
2 PLC	±-															
3 PLC	±.025															
4 PLC	±-															
ANGLES	±-															
MATERIAL		CUSTOMER DRAWING	SCALE 2.000	SHEET 1 OF 1												
			REV A													