



DATASHEET

Type	Combined antenna
Frequencies	AMPS (850 MHz) GSM (900 MHz) ISM (868 MHz) GPS/GLONASS (1572 – 1610 MHz) DCS (1800 MHz) PCS (1900 MHz) 3G (UMTS 2.1 GHz) WIFI / BLUETOOTH (2.4 GHz)
Mounting	Body Mount
Part No.	2J660B 2J660BG
Revision	00




P. Tipul



1. PRODUCT SELECTOR

2J660B GPS L1 version
2J660BG GPS/GLONASS version

2. SPECIFICATION

2.1. Electrical Specifications

Mobile (Cable 1)

Frequencies	AMPS (850 MHz) GSM (900 MHz) ISM (868 MHz) DCS (1800 MHz) PCS (1900 MHz) 3G (UMTS 2.1 GHz) WIFI / BLUETOOTH (2.4 GHz)
Impedance	50 Ohms
Polarization	Linear
Gain	2.2 dBi Max
VSWR	<2:1
Power handling	50W
Operating temperature	-40°C to +85°C

Navigation (Cable2)

Frequencies	GPS (1575.42 MHz) or GPS/GLONASS (1572 – 1610 MHz)
Impedance	50 Ohms
Polarization	RHCP
LNA Gain	26dB at 3V, 27dB at 5V
VSWR	<1.2:1
Voltage supply	2.7V - 5.5V
Current	15mA - 25mA
Power (max.)	138mW
Operating temperature	-40°C to +85°C

2.2. Connection Specifications

Cable 1 (Mobile):

Connector type: FME female
Cable: RG174U
Cable length: 250 cm

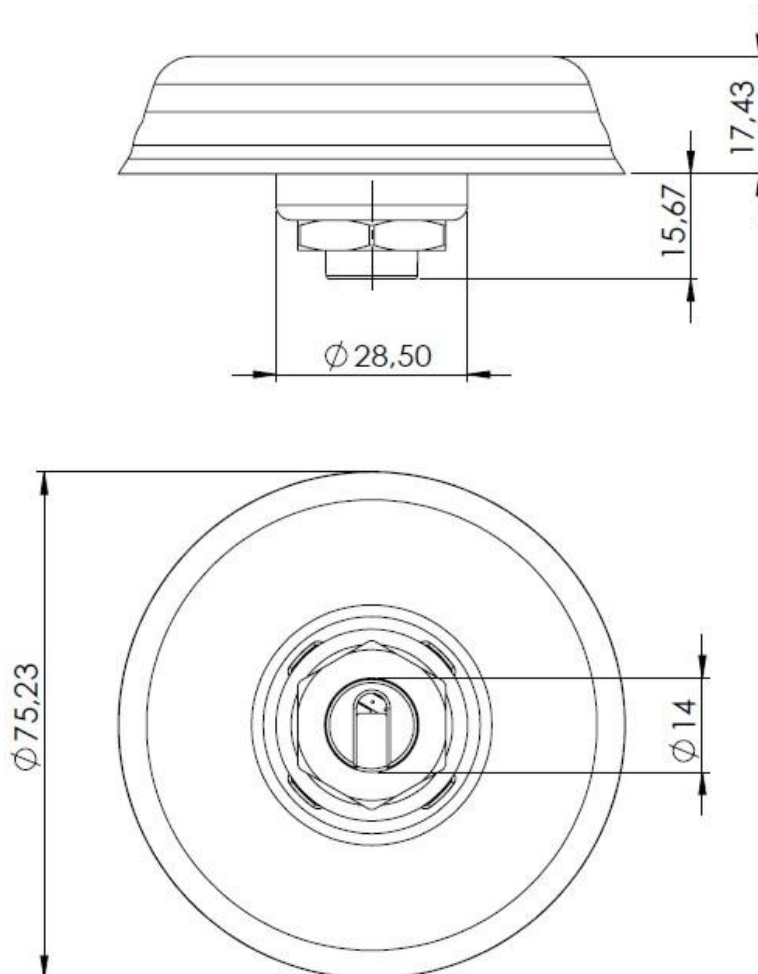
Cable 2 (Navigation):

Connector type: SMA male
Cable: RG174U
Cable length: 250 cm

For different cable or connector type please our sales team.

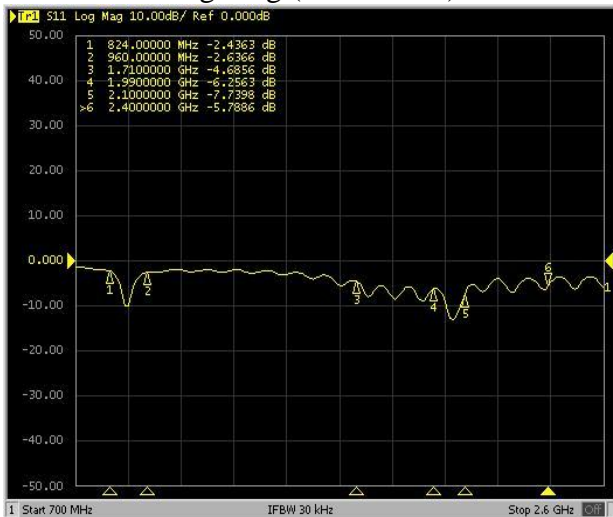
2.3. Mechanical Specifications and Dimensions

Material:	Lid: ABS / Base: Zamak / Gasket: TPE
Dimensions:	75.23 mm x 17.43 mm
Weight:	200 g 'weight with connection above'
Colour:	Black (for different colours please ask our sales team)



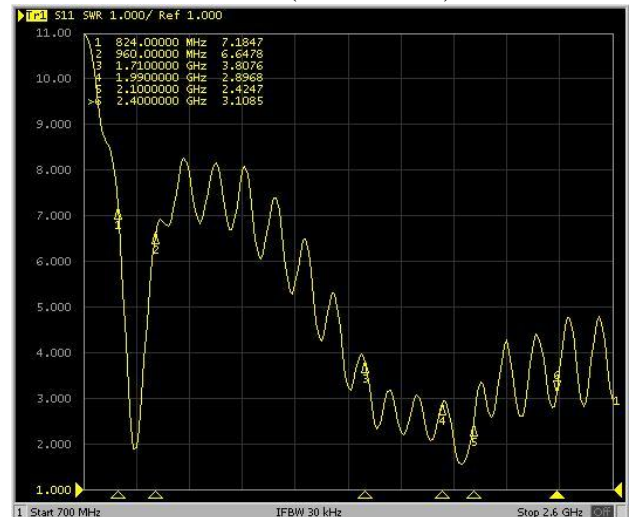
3. MEASUREMENT

Log Mag (Penta Band)



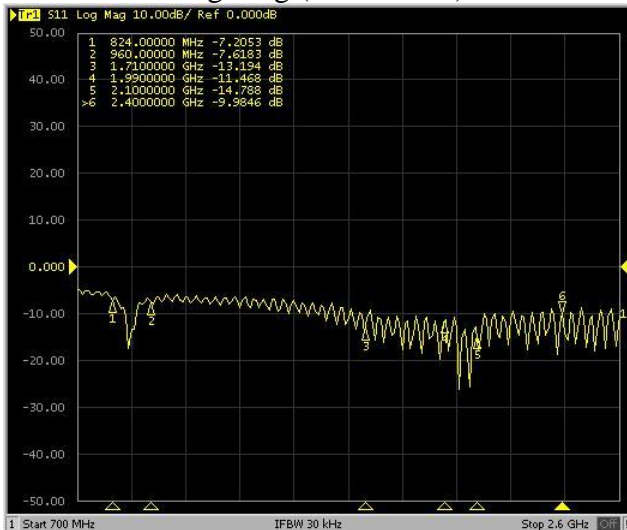
Tested with 50cm cable length on 50 cm x 50 cm ground plane.

VSWR (Penta Band)



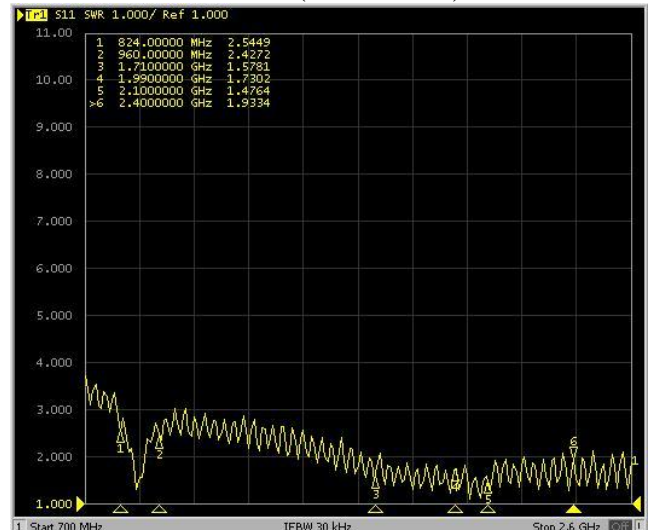
Tested with 50cm cable length on 50 cm x 50 cm ground plane.

Log Mag (Penta Band)



Tested with 2.5m cable length on 50 cm x 50 cm ground plane.

VSWR (Penta Band)



Tested with 50cm cable length on 50 cm x 50 cm ground plane.



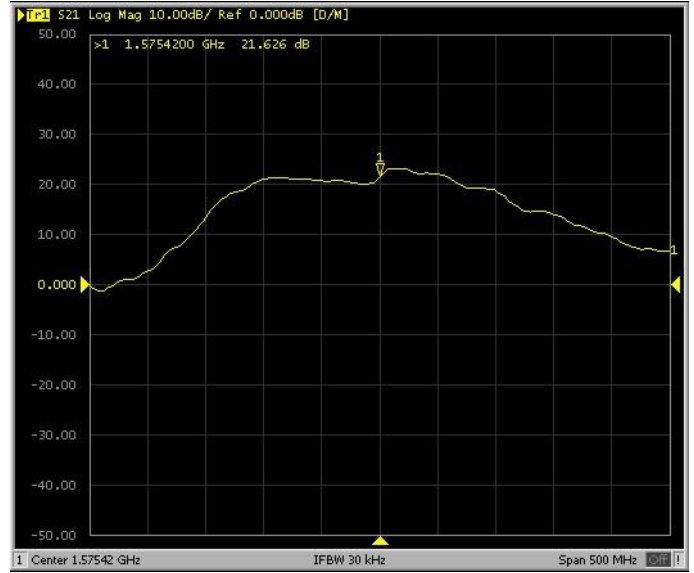
GNSS:

Log Mag at 3V



Tested with 3m cable length - RG174 with C20N

Log Mag at 3V



Tested with 5m cable length - RG174 with C20N

4. IMAGES

