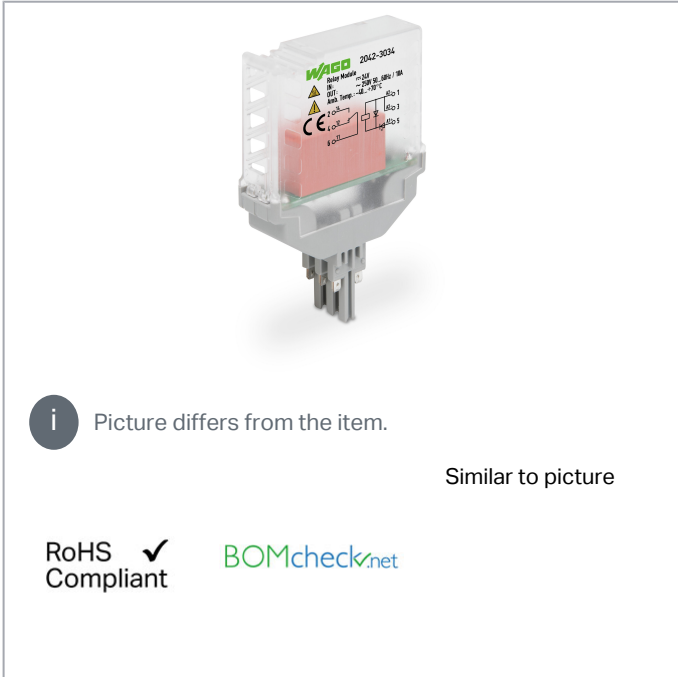


## Data sheet | Item number: 2042-7304

Solid-state relay module; Nominal input voltage: 24 VDC; Limiting continuous current: 0.5 A; Path; Frequency: 100 kHz; Module width: 15 mm



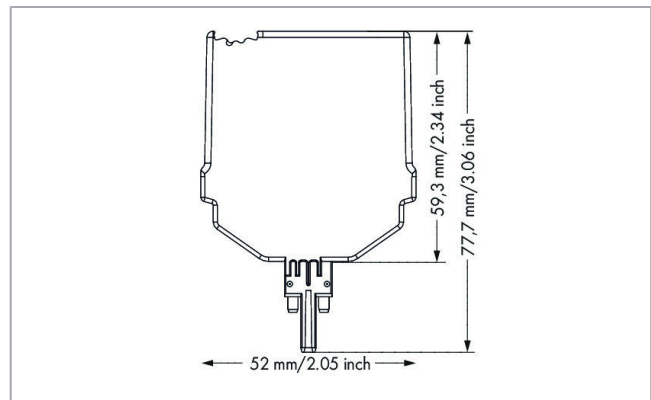
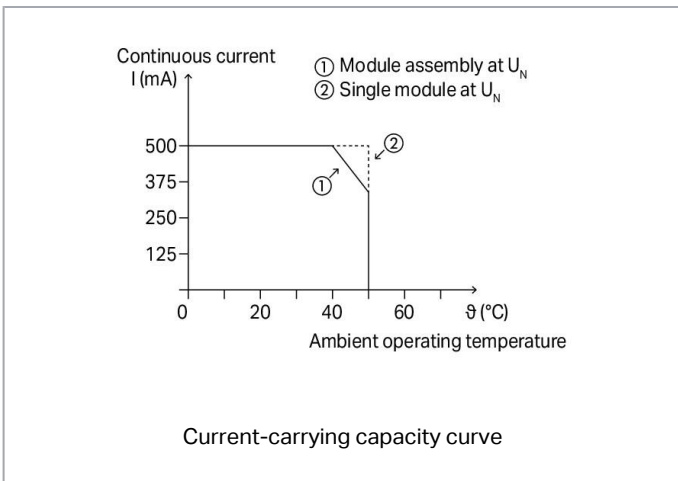
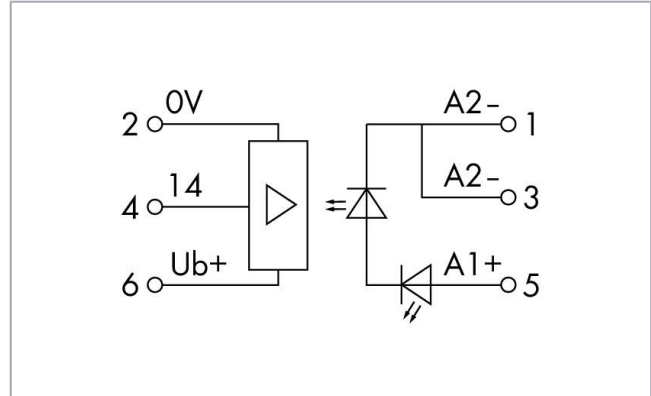
[www.wago.com/2042-7304](http://www.wago.com/2042-7304)



**i** Picture differs from the item.

Similar to picture

RoHS  Compliant [BOMcheck.net](https://www.bomcheck.net)



### Item description

#### Note:

Optocouplers and solid state relays are designed for use in signal processing networks, which are not supplied by the low-voltage power supply networks.

Subject to changes. Please also observe the further product documentation!

WAGO Kontakttechnik GmbH & Co. KG  
Hansastr. 27  
32423 Minden  
Phone: +49571 887-0 | Fax: +49571 887-169  
Email: [info.de@wago.com](mailto:info.de@wago.com) | Web: [www.wago.com](http://www.wago.com)

Do you have any questions about our products?  
We are always happy to take your call at +49 (571) 887-44222.



## Data

### Technical data

#### Control circuit

Nominal input voltage $U_N$	DC 24 V (SELV)
Input voltage range (low level)	DC 0 ... 6 V
Input voltage range (high level)	DC 16.8 ... 30 V
Nominal input current at $U_N$	7 mA
Input current range	6 ... 8 mA

#### Load circuit

Circuit type	3-wire connection High-side switching
Limiting continuous current	0.5 A
Nominal output voltage	DC 24 V (SELV)
Output voltage range	DC 16.8 ... 30 V
Voltage drop at output (max.)	$\leq$ DC 1 V
Switching current (min.)	20 $\mu$ A
Turn-on time	$\leq$ 2 $\mu$ s
Turn-off time	$\leq$ 4 $\mu$ s
Switching frequency	$\leq$ 100 kHz

#### Signaling

Status indicator	Green LED
------------------	-----------

#### Safety and protection

Overvoltage category	II
Pollution degree	2
Dielectric strength, control/load circuit (AC, 1 min)	3 kVrms
Protection type	IP20

#### Physical data

Width	15.5 mm / 0.61 inch
Height	77.7 mm / 3.059 inch

Subject to changes. Please also observe the further product documentation!

Height from the surface	59.3 mm / 2.335 inch
Depth	52 mm / 2.047 inch

### Mechanical data

Mounting type	Pluggable module for TOPJOB® S carrier terminal block
---------------	---

### Material data

Flammability class per UL94	V0
Fire load	0.375 MJ
Weight	70.4 g

### Environmental requirements

Surrounding air temperature (operation at $U_N$ )	-40 ... 50 °C
Surrounding air temperature (storage)	-40 ... 85 °C
Processing temperature	-25 ... +50 °C
Operating altitude (max.)	2000 m

### Standards and specifications


Standards/Specifications	EN 61010-2-201; EN 61373; EN 50121-3-2; EN 50121-4; EN 61000-6-2; EN 61000-6-3
--------------------------	--

### Commercial data

Packaging type	bag
Country of origin	DE
GTIN	4055143748728
Customs tariff number	85365005000

### Approvals / Certificates

#### UL-Approvals

Logo	Approval	Additional Approval Text	Certificate name
	UL Underwriters Laboratories Inc. (ORDINARY LOCATIONS)	UL 61010-1	E175199

Subject to changes. Please also observe the further product documentation!



## Downloads

### Documentation

#### Bid Text

2042-7304 X81 - Datei	19. 2. 2019	xml 4.4 kB	Download
--------------------------	-------------	---------------	----------

2042-7304 docx - Datei	20. 2. 2019	docx 17.3 kB	Download
---------------------------	-------------	-----------------	----------

#### Instruction Leaflet

Pluggable Relay Module / Pluggable Solid-State Relay Module	V 1.1.0	pdf 2.0 MB	Download
---	---------	---------------	----------

#### Additional Information

Disposal; Electrical and electronic equipment, Packaging	V 1.0.0	pdf 265.8 kB	Download
--	---------	-----------------	----------

## Environmental Product Compliance

### Compliance Search

Environmental Product Compliance 2042-7304 Solid-state relay module; Nominal input voltage: 24 VDC; Limiting continuous current: 0.5 A; Path; Frequency: 100 kHz; Module width: 15 mm		URL	Download
--	--	-----	----------

## Installation Notes

Subject to changes. Please also observe the further product documentation!

WAGO Kontakttechnik GmbH & Co. KG  
Hansastr. 27  
32423 Minden  
Phone: +49571 887-0 | Fax: +49571 887-169  
Email: [info.de@wago.com](mailto:info.de@wago.com) | Web: [www.wago.com](http://www.wago.com)

Do you have any questions about our products?  
We are always happy to take your call at +49 (571) 887-44222.