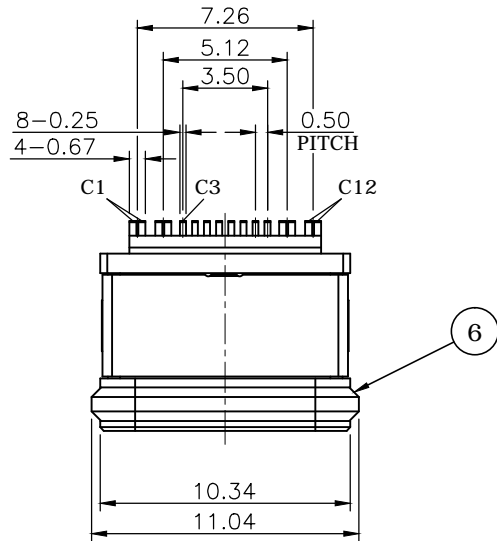


REV.	DESCRIPTION	DRAWN	DATE
1	INITIAL RELEASE	FROS	2023/11/17

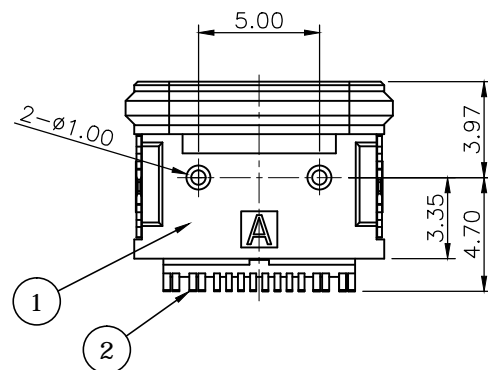
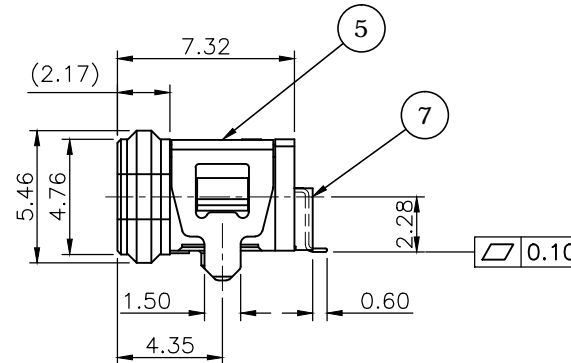
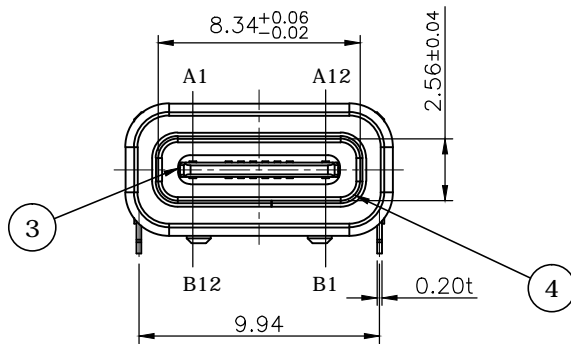


**PIN ASSIGNMENTS:**

PIN	SIGNAL NAME	PIN	SIGNAL NAME	SOLDER TAILS
A1	GND	B12	GND	C1
A4	VBUS	B9	VBUS	C2
		B8	SBU2	C3
A5	CC1			C4
		B7	Dn2	C5
A6	Dp1			C6
A7	Dn1			C7
		B6	Dp2	C8
A8	SBU1			C9
		B5	CC2	C10
A9	VBUS	B4	VBUS	C11
A12	GND	B1	GND	C12

**SPECIFICATION:**

1. ELECTRICAL
  - 1.1 Current Rating: 5A for Vbus; 1.25A for Vconn & GND; 0.25A for other pin
  - 1.2 Voltage Rating: 20 VAC max
  - 1.3 Contact Resistance: 40mΩ
  - 1.4 Insulation Resistance: 100MΩ
  - 1.5 Dielectric Withstanding Voltage: 100VAC
2. MECHANICAL
  - 2.1 Durability: 5,000 cycles
  - 2.2 Insertion Force: 5 to 20N
  - 2.3 Extraction Force: 8 to 20N
3. ENVIRONMENTAL
  - 3.1 Operating temperature range: -40°C~+85°C
  - 3.2 Storage temperature range: -40°C~+85°C

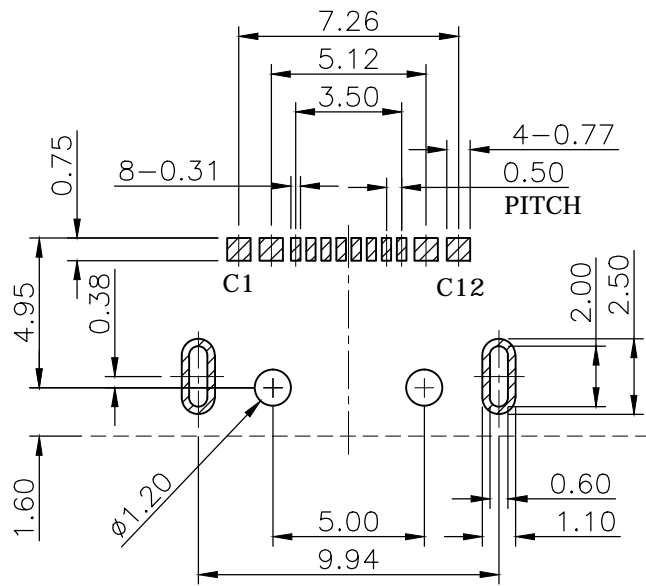


7	GLUE	EPOXY
6	ORING	Silicone
5	COVER	Stainless Steel, 0.2t Nickel plating
4	SHELL	Stainless Steel, 0.25t Nickel plating
3	MID PLATE	Stainless Steel, 0.15t
2	CONTACT	Copper Alloy, 3u" Gold plating on contact area Gold plating on solder tail, under plated Nickel
1	HOUSING	PA9T, UL94V-0, Black

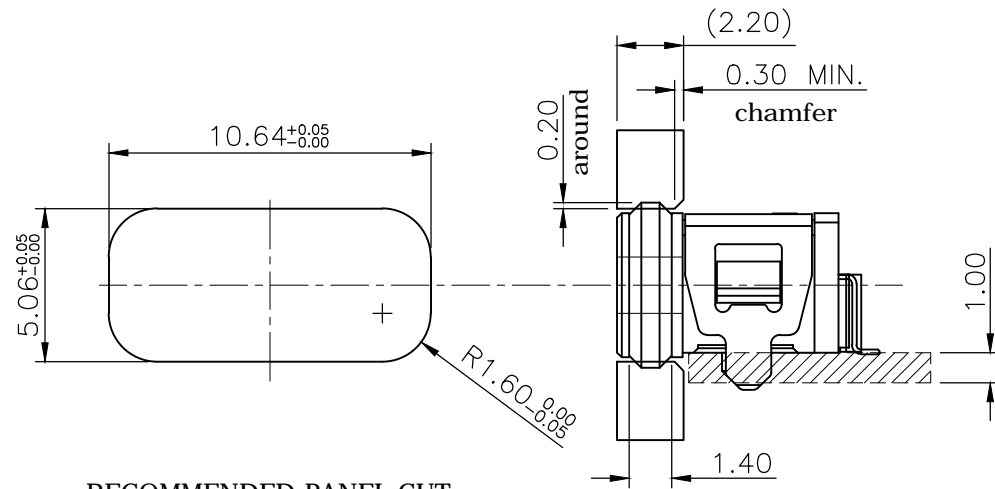
NO.	PART NAME	DESCRIPTION	
UNLESS OTHERWISE SPECIFIED TOLERANCE			
UNIT:	DECIMAL	LINEAR	ANGLES
mm	X.	±0.50	±5°
	X.X	±0.25	±3°
	X.XX	±0.12	±1°
www.attend.com.tw			
DRAWN	Fros	2023/11/17	DRAWN NAME: USB Type C Receptacle, 16 Pin Single Row, SMD Type, IPX8 Waterproof, w/ Oring, 3u", Reel
CHECKED	Tim	2023/11/17	
APPROVED	Ken	2023/11/17	PRODUCT NO. 217B-CA04
SCALE	3.2	SHEET 1/2	SIZE A4
FILE NAME		217B-CA04_B_1	




REV.	DESCRIPTION	DRAWN	DATE



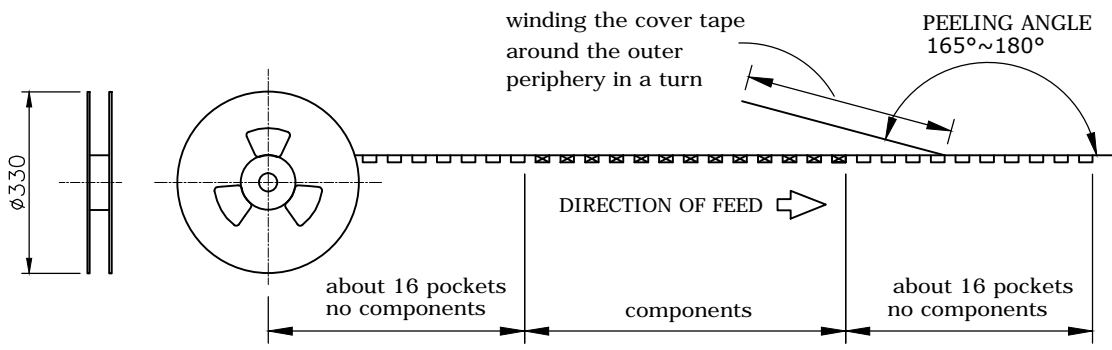
RECOMMENDED LAYOUT (TOP VIEW)  
 GENERAL TOLERANCE:  $\pm 0.05\text{mm}$   
 PCB T= 1.0mm



RECOMMENDED PANEL CUT

UNLESS OTHERWISE SPECIFIED TOLERANCE				 www.attend.com.tw					
UNIT:	DECIMAL	LINEAR	ANGLES			DRAWN NAME: USB Type C Receptacle, 16 Pin Single Row, SMD Type, IPX8 Waterproof, w/ Oring, 3u", Reel			
mm	X.	$\pm 0.50$	$\pm 5^\circ$				DRAWN Fros 2023/11/17		
	X.X	$\pm 0.25$	$\pm 3^\circ$					CHECKED Tim 2023/11/17	
	X.XX	$\pm 0.12$	$\pm 1^\circ$	APPROVED Ken 2023/11/17					
SCALE	4.0	SHEET	2/2	SIZE	A4	PRODUCT NO.	217B-CA04	FILE NAME	217B-CA04_B_1

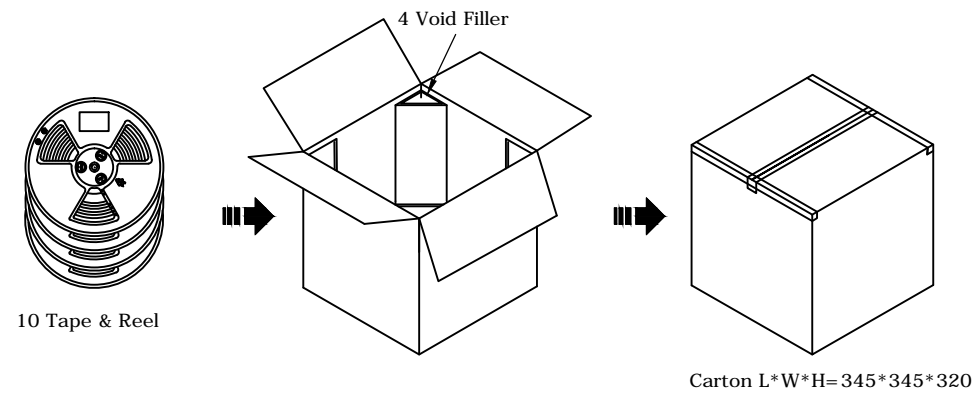
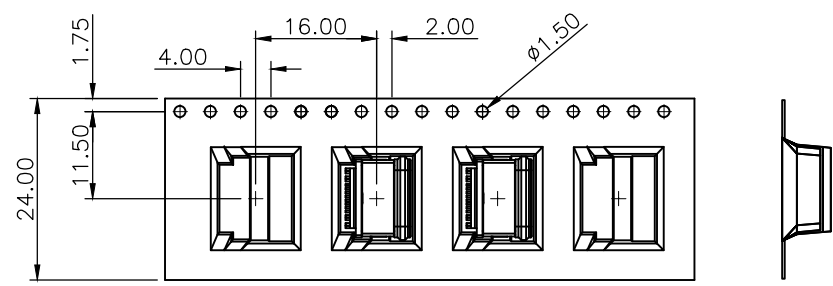
REV.	DESCRIPTION	DRAWN	DATE
1	INITIAL RELEASE	FROS	2023/11/17




### PACKAGING SPECIFICATION:

1. MATERIAL
  - 1.1 Embossed Carrier Tape: PS Transparent
  - 1.2 Top Cover Tape: PET  
20-80g(Peel Speed 300mm/Minute)
  - 1.3 Taping Reel: Plastic

2. PACKING
  - 2.1 Quantity:  
700 Piece/Reel  
7000Piece/Outer Carton



UNLESS OTHERWISE SPECIFIED TOLERANCE				
UNIT:	DECIMAL	LINEAR	ANGLES	
mm	X.	±0.50	±5°	www.attend.com.tw
	X.X	±0.25	±3°	
	X.XX	±0.12	±1°	
DRAWN	Fros	2023/11/17	DRAWN NAME: USB Type C Receptacle, 16 Pin Single Row, SMD Type, IPX8 Waterproof, w/ Oring, 3u", Reel	
CHECKED	Tim	2023/11/17	PRODUCT NO. 217B-CA04	
APPROVED	Ken	2023/11/17	FILE NAME 217B-CA04_D_1	
SCALE	N/A	SHEET 1/1	SIZE A4	