



8-channel digital input; 24 VDC; 3 ms

Item No.: 750-430



8-channel digital input; 24 VDC; 3 ms

Marking

RoHS ✓
Compliant

Business data

Supplier	WAGO
Item no.	750-430
GTIN / EAN	4045454392802
Content	1
Order amount	1
Customer item number	

Notes

Item description: The digital input module provides 8 channels in a width of just 12 mm (0.47 inch). It receives control signals from digital field devices (e.g., sensors). Each input module has a noise-rejection filter. Field and system levels are electrically isolated.

Technical data

Miscellaneous

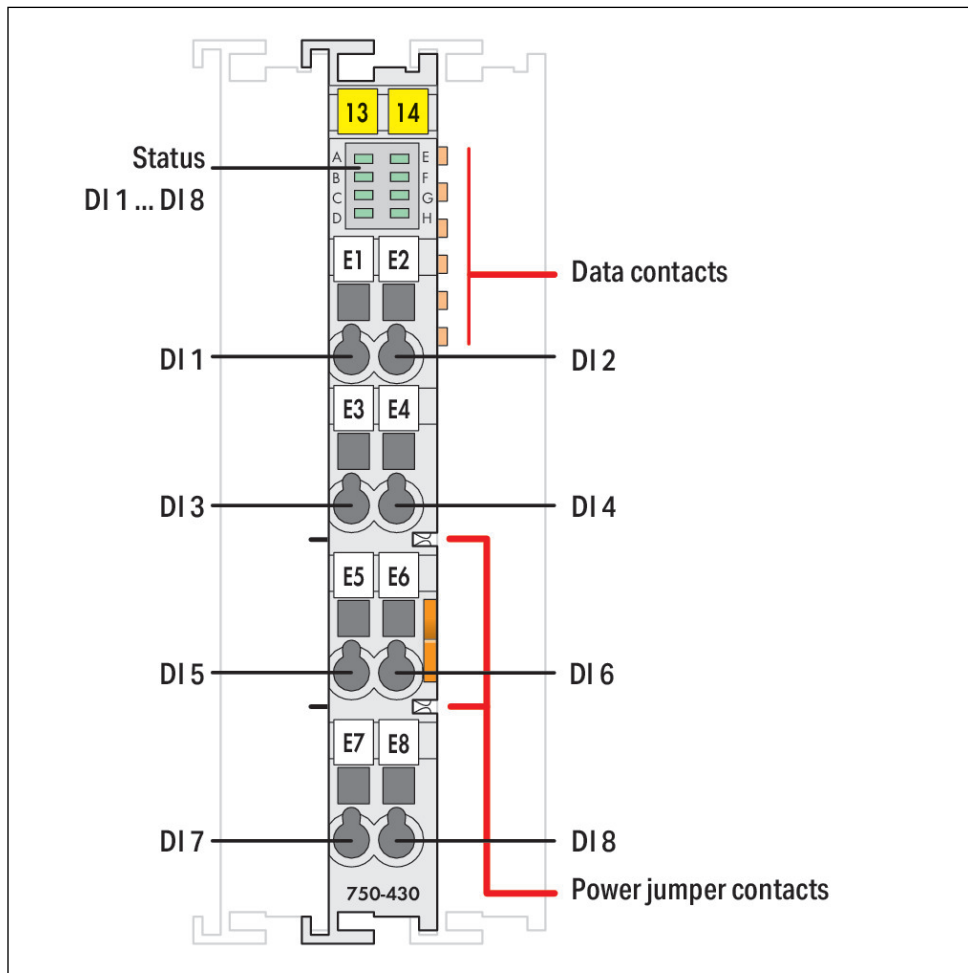
Number of digital inputs	8
Total number of channels (module)	8
Type of signal	Voltage
Type of signal voltage	DC 24 V

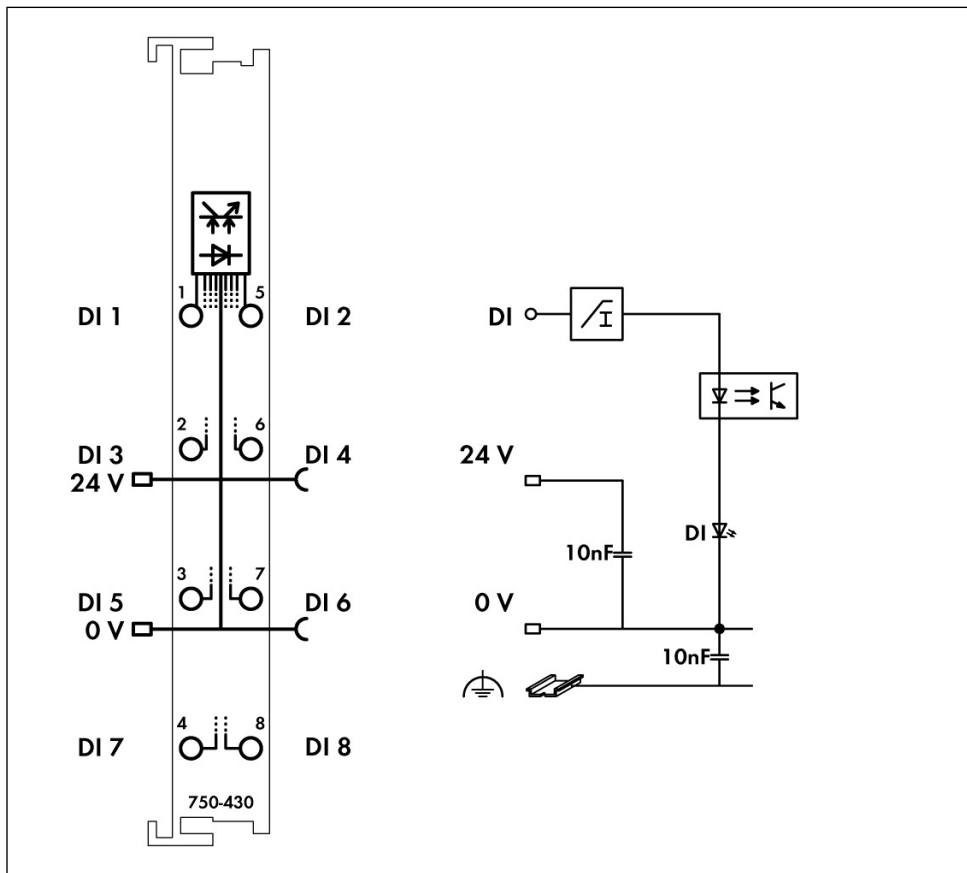
Technical data	
<i>Sensor connection</i>	8 x (1-conductor)
<i>Input characteristic</i>	high-side switching
<i>Input filter (digital) [ms]</i>	3 [ms]
<i>Input current per channel for signal (1) typ. [mA]</i>	2.8 [mA]
<i>Voltage range for signal (0)</i>	3 ... +5 VDC
<i>Voltage range for signal (1)</i>	15 ... 30 VDC
<i>Max. input data width (internal) [Bit]</i>	8 [Bit]
<i>System supply voltage</i>	DC 5 V; via data contacts
<i>Current consumption, system supply [mA]</i>	17 [mA]
<i>Isolation field – system</i>	500 VAC (1 min)
<i>Number of incoming power jumper contacts</i>	2
<i>Number of outgoing power jumper contacts</i>	2
<i>Current carrying capacity of the power jumper contacts [A]</i>	10 [A]
<i>Connection technology: inputs/outputs</i>	8 x CAGE CLAMP®
<i>Connection type (1)</i>	Inputs/Outputs
<i>Solid conductor</i>	0.08 ... 2.5 mm ² / 28 ... 14 AWG
<i>Fine-stranded conductor</i>	0.08 ... 2.5 mm ² / 28 ... 14 AWG
<i>Strip length</i>	8 ... 9 mm / 0.31 ... 0.35 Inch
<i>Width</i>	12 mm / 0.472 Inch
<i>Height</i>	67.8 mm / 2.669 Inch
<i>Height from upper-edge of DIN-35 rail</i>	60.6 mm / 2.386 Inch
<i>Depth</i>	100 mm / 3.937 Inch
<i>Type of mounting</i>	DIN-35 rail
<i>Color</i>	light gray
<i>Housing material</i>	Polycarbonate, polyamide 6.6
<i>Fire load [MJ]</i>	1.089 [MJ]
<i>Weight [g]</i>	47.5 [g]
<i>Conformity marking</i>	CE
<i>Surrounding air temperature (operation)</i>	0 ... 55 °C
<i>Surrounding air temperature (storage)</i>	-25 ... 85 °C
<i>Degree of protection</i>	IP20
<i>Degree of pollution (5)</i>	2 per IEC 61131-2
<i>Mounting position</i>	any
<i>Relative air humidity (no condensation) [%]</i>	95 [%]
<i>Vibration resistance</i>	4g per IEC 60068-2-6

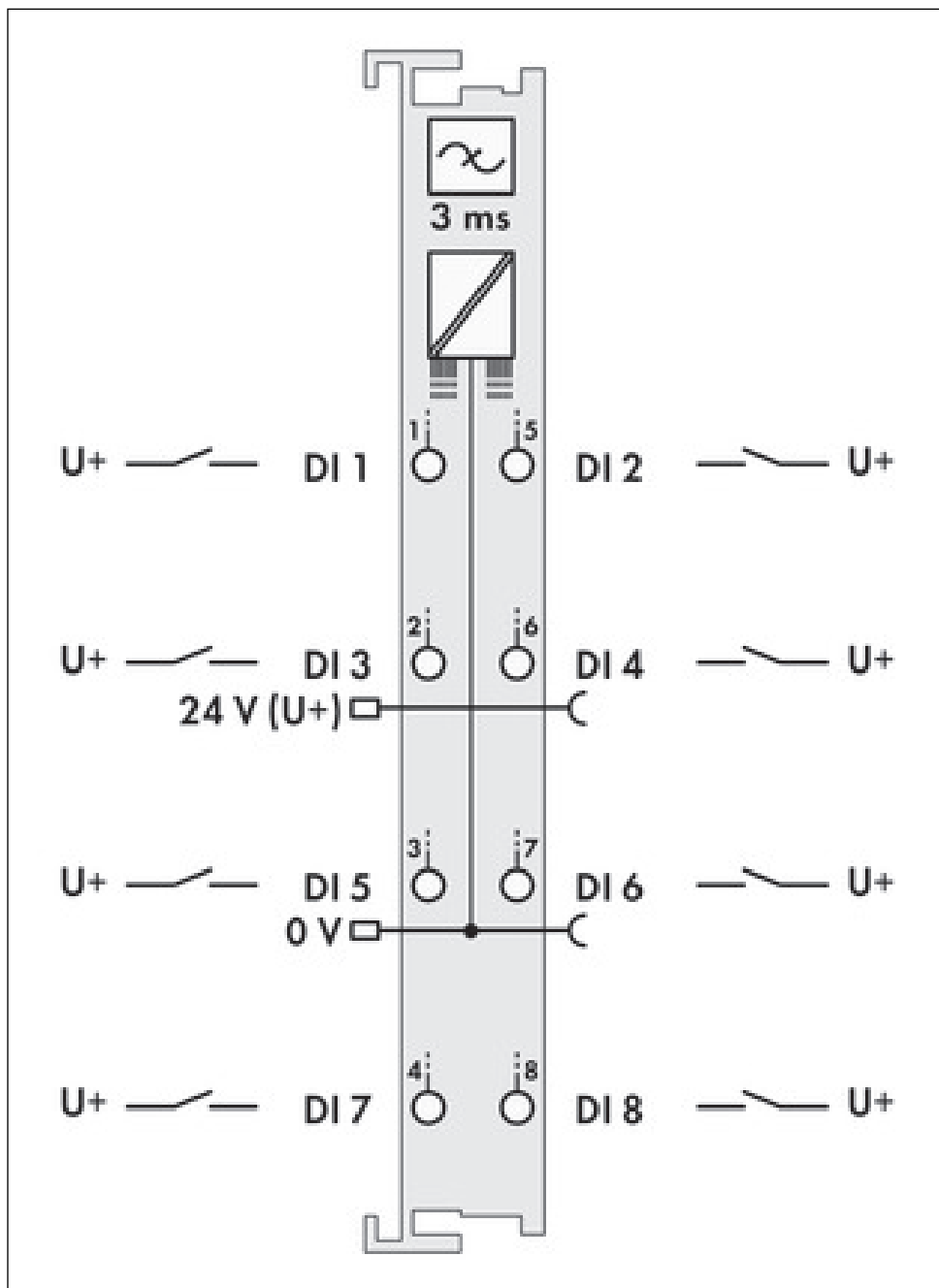
Technical data	
<i>Shock resistance</i>	<i>15g per IEC 60068-2-27</i>
<i>EMC immunity to interference</i>	<i>acc. to EN 61000-6-2, marine applications</i>
<i>EMC emission of interference</i>	<i>acc. to EN 61000-6-4, marine applications</i>
<i>Exposure to pollutants</i>	<i>Per IEC 60068-2-42 and IEC 60068-2-43</i>
<i>Permissible H2S contaminant concentration at a re</i>	<i>10 [ppm]</i>
<i>Permissible SO2 contaminant concentration at a re</i>	<i>25 [ppm]</i>
<i>Packaging type</i>	<i>BOX</i>
<i>Product Family</i>	<i>750/753 Series I/O-System</i>
<i>Main product function</i>	<i>Digital input</i>
<i>Product type</i>	<i>Digital modules</i>

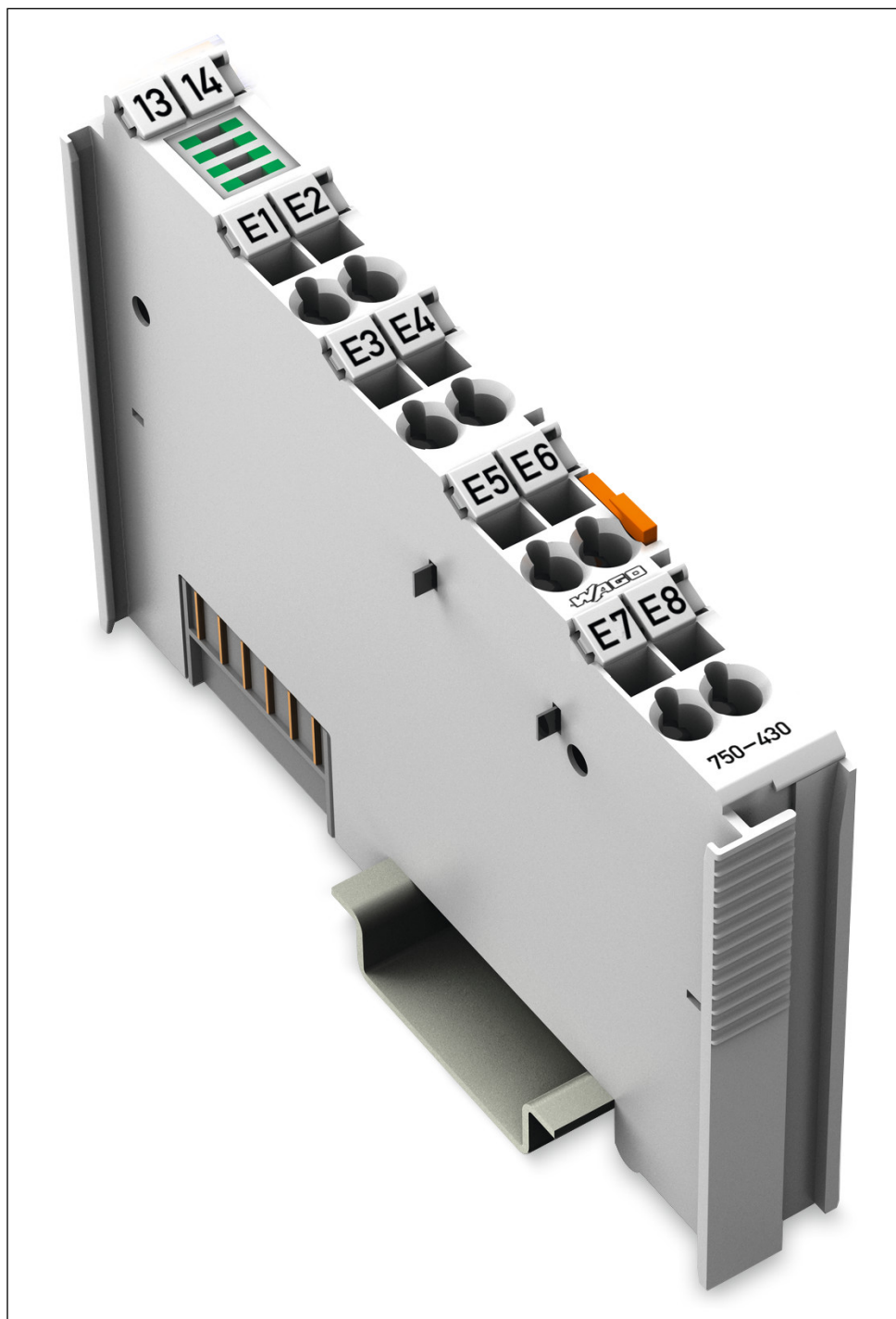
Images & drawings











Address

WAGO Kontakttechnik GmbH & Co. KG

Hansastr. 27

32423 Minden

Telefon: 0571/887-0

Fax: 0571/887-169

<http://www.wago.com>

© WAGO Kontakttechnik GmbH & Co. KG

Technische Änderungen und Irrtümer vorbehalten.