

Sensor/actuator connector - SACC-MS-4QO-0,75-M SCO - 1521591

Please be informed that the data shown in this PDF Document is generated from our Online Catalog. Please find the complete data in the user's documentation. Our General Terms of Use for Downloads are valid (<http://phoenixcontact.com/download>)



Sensor/actuator connector, 4-position, Plug straight M12 SPEEDCON, A-coded, Insulation displacement connection, Knurl material: Zinc die-cast, nickel-plated, External cable diameter 4 mm ... 8 mm

Product Features

- Safe use in the field, thanks to a high degree of protection
- Flexible: connectors for on-site assembly
- Save time, thanks to installation with SPEEDCON fast locking system
- Insulation displacement connection: innovative and time-saving assembly without stripping the single wire



Key Commercial Data

| | |
|--------------------------------------|----------|
| Packing unit | 1 pc |
| Weight per Piece (excluding packing) | 14.8 g |
| Custom tariff number | 85366990 |
| Country of origin | Germany |

Technical data

Dimensions

| | |
|------------------------|---------------|
| Wrench size, union nut | 15 mm |
| External diameter | 4 mm ... 8 mm |

Ambient conditions

| | |
|---------------------------------|-----------------------------------|
| Ambient temperature (operation) | -25 °C ... 80 °C (Plug / socket) |
| Ambient temperature (assembly) | -5 °C ... 50 °C (During assembly) |
| Degree of protection | IP65 |
| | IP67 |

General

| | |
|-----------------------|-----|
| Rated current at 40°C | 4 A |
|-----------------------|-----|

Sensor/actuator connector - SACC-MS-4QO-0,75-M SCO - 1521591

Technical data

General

| | |
|---|---|
| Rated voltage | 250 V |
| Number of positions | 4 |
| Insulation resistance | ≥ 100 MΩ |
| Coding | A - standard |
| Standards/regulations | M12 connector IEC 61076-2-101 |
| Status display | No |
| Overvoltage category | II |
| Degree of pollution | 3 |
| Connection method | Insulation displacement connection |
| Conductor cross section | 0.34 mm ² ... 0.75 mm ² |
| Conductor cross section AWG | 22 ... 18 |
| Wire diameter including insulation | 1.3 mm ... 2.6 mm |
| Frequency of connections between conductors of the same cross section | 10 |
| Wire insulation material | PVC / PE / PP / rubber |
| Structure of individual litz in acc. with VDE 0295 / smallest wire diameter | Class 2-6 |
| Insertion/withdrawal cycles | ≥ 100 |
| Torque | 0.4 Nm (M12 knurl) 1.5 Nm (Pressure nut) |
| Assembly instructions | AWG 18 wire cross section upon request |

Material

| | |
|--|------------------------------|
| Flammability rating according to UL 94 | V0 |
| Contact material | CuSn |
| Contact surface material | Ni/Au |
| Contact carrier material | TPU |
| Material of grip body | PA 6 |
| Material, knurls | Zinc die-cast, nickel-plated |
| Sealing material | NBR |

Standards and Regulations

| | |
|--|-----------------|
| Standard designation | M12 connector |
| Standards/regulations | IEC 61076-2-101 |
| Connection in acc. with standard | CUL |
| Flammability rating according to UL 94 | V0 |

Sensor/actuator connector - SACC-MS-4QO-0,75-M SCO - 1521591

Classifications

eCl@ss

| | |
|------------|----------|
| eCl@ss 4.0 | 27140815 |
| eCl@ss 4.1 | 27140815 |
| eCl@ss 5.0 | 27143423 |
| eCl@ss 5.1 | 27143423 |
| eCl@ss 6.0 | 27143423 |
| eCl@ss 7.0 | 27449001 |
| eCl@ss 8.0 | 27440104 |
| eCl@ss 9.0 | 27440102 |

ETIM

| | |
|----------|----------|
| ETIM 2.0 | EC000516 |
| ETIM 3.0 | EC000516 |
| ETIM 4.0 | EC002062 |
| ETIM 5.0 | EC002062 |

UNSPSC

| | |
|---------------|----------|
| UNSPSC 6.01 | 31261501 |
| UNSPSC 7.0901 | 31261501 |
| UNSPSC 11 | 31261501 |
| UNSPSC 12.01 | 31261501 |
| UNSPSC 13.2 | 31261501 |

Approvals

Approvals

Approvals

UL Recognized / cUL Recognized / EAC / EAC / cULus Recognized

Ex Approvals

Approvals submitted

Approval details

Sensor/actuator connector - SACC-MS-4QO-0,75-M SCO - 1521591

Approvals

| | |
|--------------------------------|-------|
| UL Recognized | |
| Nominal current I _N | 4 A |
| Nominal voltage U _N | 300 V |

| | |
|--------------------------------|-------|
| cUL Recognized | |
| Nominal current I _N | 4 A |
| Nominal voltage U _N | 300 V |

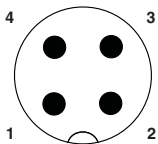
EAC

EAC

cULus Recognized

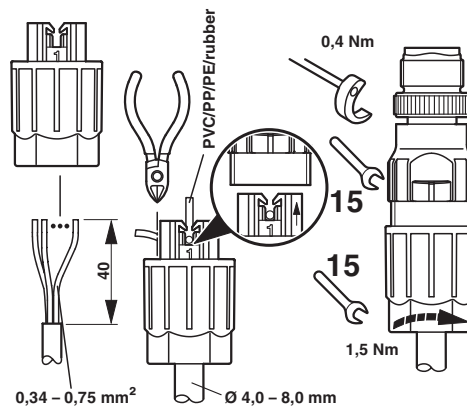
Drawings

Schematic diagram



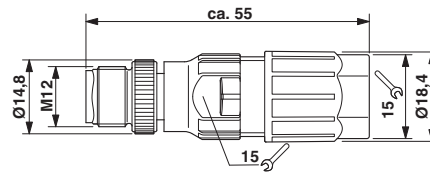
Pin assignment M12 plug, 4-pos., A-coded, view plug side

Functional drawing



Sensor/actuator connector - SACC-MS-4QO-0,75-M SCO - 1521591

Dimensional drawing



M12 x 1 plug, straight

Phoenix Contact 2016 © - all rights reserved
<http://www.phoenixcontact.com>