

## Data sheet | Item number: 2042-7504

Solid-state relay module; Nominal input voltage: 24 VDC; Limiting continuous current: 4 A; Module width: 10 mm



[www.wago.com/2042-7504](http://www.wago.com/2042-7504)

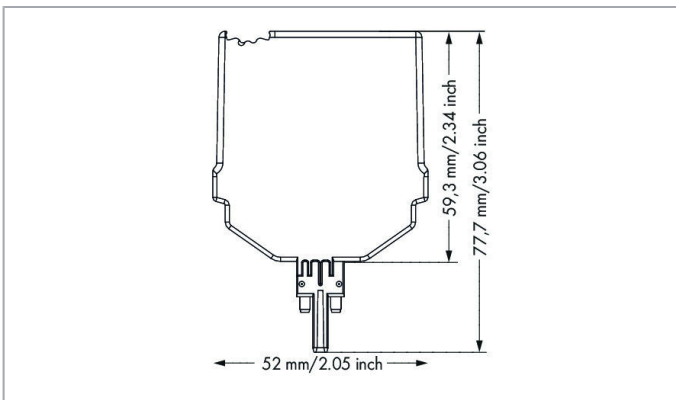
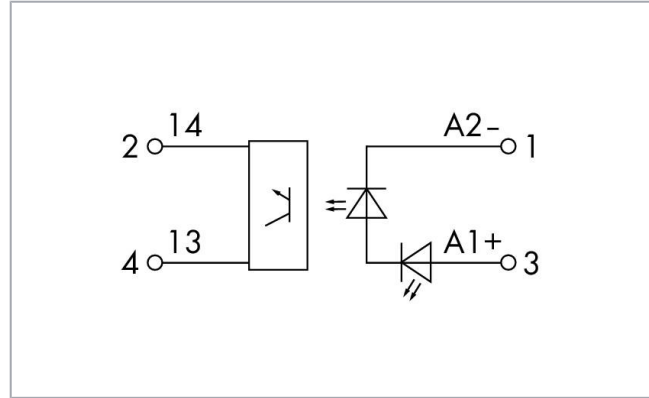


 Picture differs from the item.

Similar to picture

RoHS  Compliant





### Item description

#### Note:

Optocouplers and solid state relays are designed for use in signal processing networks, which are not supplied by the low-voltage power supply networks.

Subject to changes. Please also observe the further product documentation!

WAGO Kontakttechnik GmbH & Co. KG  
Hansastr. 27  
32423 Minden  
Phone: +49571 887-0 | Fax: +49571 887-169  
Email: [info.de@wago.com](mailto:info.de@wago.com) | Web: [www.wago.com](http://www.wago.com)

Do you have any questions about our products?  
We are always happy to take your call at +49 (571) 887-44222.



## Data

### Technical data

#### Control circuit

|                                  |                |
|----------------------------------|----------------|
| Nominal input voltage $U_N$      | DC 24 V (SELV) |
| Input voltage range (low level)  | DC 0 ... 6 V   |
| Input voltage range (high level) | DC 10 ... 53 V |
| Nominal input current at $U_N$   | 3 mA           |
| Input current range              | 3 ... 5 mA     |

#### Load circuit

|                               |                   |
|-------------------------------|-------------------|
| Circuit type                  | 2-wire connection |
| Limiting continuous current   | 4 A               |
| Nominal output voltage        | DC 48 V (SELV)    |
| Output voltage range          | DC 0 ... 53 V     |
| Voltage drop at output (max.) | $\leq$ DC 1 V     |
| Switching current (min.)      | 20 $\mu$ A        |
| Turn-on time                  | $\leq$ 12 $\mu$ s |
| Turn-off time                 | $\leq$ 32 $\mu$ s |
| Switching frequency           | $\leq$ 300 Hz     |

#### Signaling

|                  |           |
|------------------|-----------|
| Status indicator | Green LED |
|------------------|-----------|

#### Safety and protection

|   |         |
|---|---------|
| Overvoltage category                                  | II      |
| Pollution degree                                      | 2       |
| Dielectric strength, control/load circuit (AC, 1 min) | 3 kVrms |
| Protection type                                       | IP20    |

#### Physical data

|                         |                      |
|-------------------------|----------------------|
| Width                   | 10.3 mm / 0.406 inch |
| Height                  | 77.7 mm / 3.059 inch |
| Height from the surface | 59.3 mm / 2.335 inch |
| Depth                   | 52 mm / 2.047 inch   |

Subject to changes. Please also observe the further product documentation!

WAGO Kontakttechnik GmbH & Co. KG  
 Hansastr. 27  
 32423 Minden  
 Phone: +49571 887-0 | Fax: +49571 887-169  
 Email: [info.de@wago.com](mailto:info.de@wago.com) | Web: [www.wago.com](http://www.wago.com)

Do you have any questions about our products?  
 We are always happy to take your call at +49 (571) 887-44222.

## Mechanical data

|               |   |
|---------------|---|
| Mounting type | Pluggable module for TOPJOB® S carrier terminal block |
|---------------|---|

## Material data

|                             |        |
|-----------------------------|--------|
| Flammability class per UL94 | V0     |
| Weight                      | 17.3 g |

## Environmental requirements

|   |                |
|---|----------------|
| Surrounding air temperature (operation at $U_N$ ) | -40 ... 70 °C  |
| Surrounding air temperature (storage)             | -40 ... 85 °C  |
| Processing temperature                            | -25 ... +50 °C |
| Operating altitude (max.)                         | 2000 m         |

## Standards and specifications


|                          |  |
|--------------------------|--|
| Standards/Specifications | EN 61010-2-201; EN 61373; EN 50121-3-2; EN 50121-4; EN 61000-6-2; EN 61000-6-3 |
|--------------------------|--|

## Commercial data

|                       |               |
|-----------------------|---------------|
| Packaging type        | bag           |
| Country of origin     | DE            |
| GTIN                  | 4055143751292 |
| Customs tariff number | 85365005000   |

## Approvals / Certificates

### UL-Approvals

| Logo   | Approval  | Additional Approval Text | Certificate name |
|--|---|--------------------------|------------------|
|  | UL<br>Underwriters Laboratories Inc. (ORDINARY LOCATIONS) | UL 61010-1               | E175199          |

## Downloads

### Documentation

#### Bid Text

Subject to changes. Please also observe the further product documentation!



|   |             |                 |          |
|---|-------------|-----------------|----------|
| 2042-7504<br>X81 - Datei                                    | 19. 2. 2019 | xml<br>4.4 kB   | Download |
| 2042-7504<br>docx - Datei                                   | 20. 2. 2019 | docx<br>17.3 kB | Download |
| <b>Instruction Leaflet</b>                                  |             |                 |          |
| Pluggable Relay Module / Pluggable Solid-State Relay Module | V 1.1.0     | pdf<br>2.0 MB   | Download |
| <b>Additional Information</b>                               |             |                 |          |
| Disposal; Electrical and electronic equipment, Packaging    | V 1.0.0     | pdf<br>265.8 kB | Download |

## Environmental Product Compliance

### Compliance Search

|   |  |     |          |
|---|--|-----|----------|
| Environmental Product Compliance 2042-7504<br>Solid-state relay module; Nominal input voltage: 24 VDC; Limiting continuous current:<br>4 A; Module width: 10 mm |  | URL | Download |
|---|--|-----|----------|

## Installation Notes

Subject to changes. Please also observe the further product documentation!