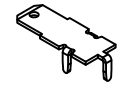
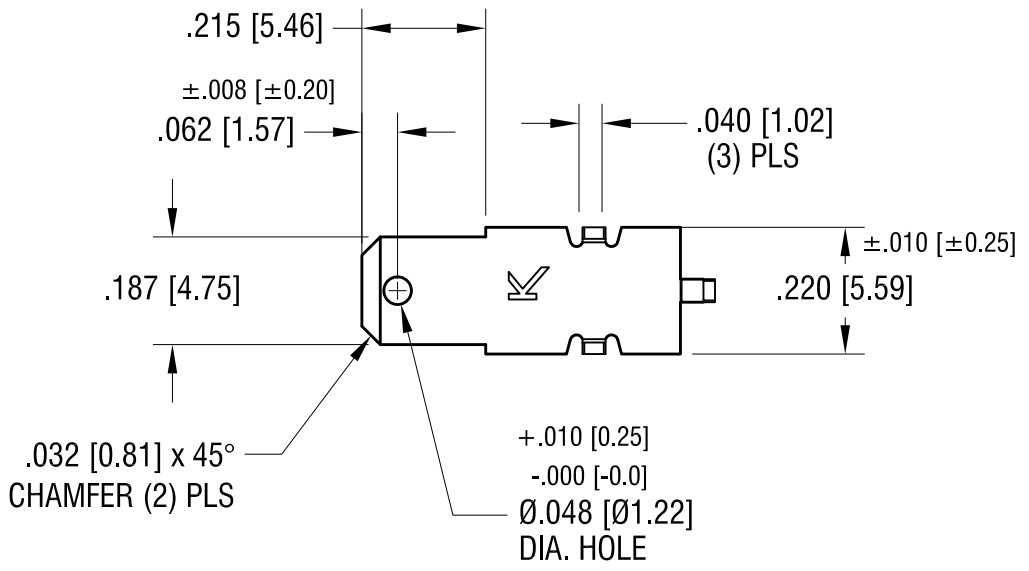
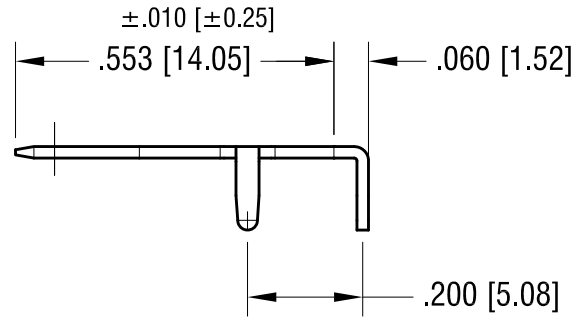
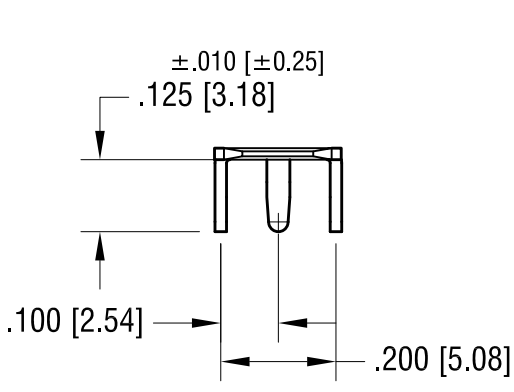
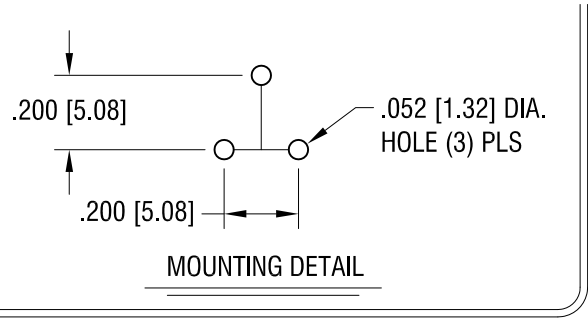


THIS DOCUMENT IS THE PROPERTY OF KEYSTONE ELECTRONICS CORP. AND SHALL NOT BE REPRODUCED, DISTRIBUTED OR USED AS A BASIS FOR MANUFACTURE WITHOUT PRIOR WRITTEN PERMISSION FROM KEYSTONE ELECTRONICS CORP.



ACTUAL SIZE



<b>KEYSTONE ELECTRONICS CORP.</b>			
www.keyelco.com • ASTORIA, N.Y. 11105-2017 • Tel (718) 956-8900			
PART NAME <b>.187 [4.76] PC QUICK-FIT TERMINAL</b>			
MATERIAL <b>.020 [0.50] TH'K BRASS</b>			
FINISH <b>MATTE TIN PLATE</b>		DRN BY <b>NT</b>	DATE <b>5.20.13</b>
		APP'D <b>LN</b>	SCALE <b>3X</b>
TOLERANCES	INCH [MM]	CODE	DWG NO.
DECIMAL	± .005 [± 0.13]	<b>C</b>	<b>4918</b>
ANGULAR	± 1°		
UNLESS OTHERWISE SPECIFIED			

DATE	DESCRIPTION	REV.