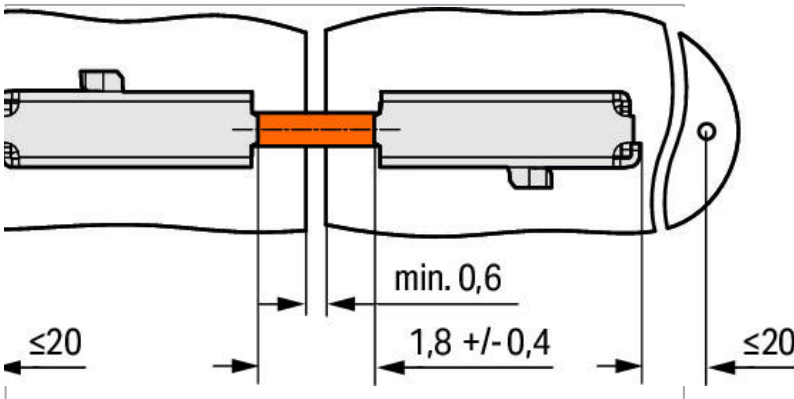
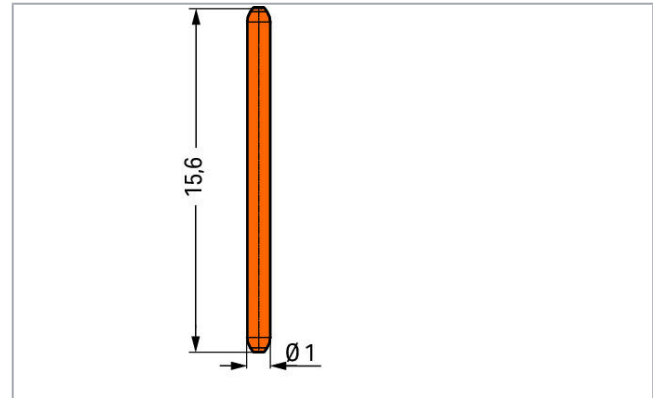
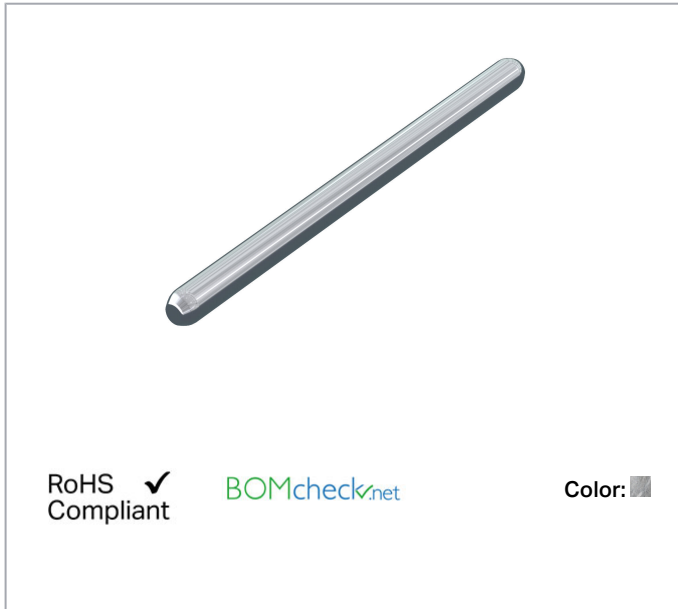


Data sheet | Item number: 2065-131

Board-to-Board Link; Pin spacing 6.5 mm; Length: 15.6 mm; silver-colored

www.wago.com/2065-131



Item description

- Board-to-board links simplify in-line assembly of LED modules
- Space saving connection of PCBs

Note:

The layout must meet the requirements of the insulation coordination standard EN/IEC 60664-1 and applicable end product standards.

Subject to changes. Please also observe the further product documentation!

WAGO Kontakttechnik GmbH & Co. KG
Hansastr. 27
32423 Minden
Phone: +49571 887-0 | Fax: +49571 887-169
Email: info.de@wago.com | Web: www.wago.com

Do you have any questions about our products?
We are always happy to take your call at +49 (571) 887-44222.

**Safety information 1:**

NOTE: Terminal block without insulation housing! Protection against accidental contact must be provided at voltages higher than low voltages (e. g., SELV/PELV) for the relevant application.

Data**Electrical data****Ratings per IEC/EN**

Ratings per	IEC/EN 60664-1
Nominal voltage (III/3)	250 V
Rated surge voltage (III/3)	4 kV
Rated voltage (III/2)	320 V
Rated surge voltage (III/2)	4 kV
Nominal voltage (II/2)	630 V
Rated surge voltage (II/2)	4 kV
Rated current	9 A
Legend (ratings)	(III / 2) $\hat{=}$ Overvoltage category III / Pollution degree 2

Physical data

Depth	15.6 mm / 0.614 inch
Length	15.6 mm
Diameter	1 mm

Mechanical data

Mating cycles (max.)	10
Number of mating cycles	max. 10 connections/disconnections
Suitable	for SMD PCB terminal blocks (2065 Series)

Material data

Color	silver-colored
Contact material	Copper alloy
Contact plating	silver-plated
Weight	0.1 g

Environmental requirements

Limit temperature range	-60 ... +120 °C
-------------------------	-----------------

Subject to changes. Please also observe the further product documentation!



Commercial data

Packaging type	BOX
Country of origin	DE
GTIN	4055143862721
Customs tariff number	85369010000

Downloads

Documentation

Additional Information

Technical explanations	3. 4. 2019	pdf 2.0 MB	Download
------------------------	------------	---------------	----------

CAD/CAE-Data

CAD data

2D/3D Models 2065-131	URL	Download
-----------------------	-----	----------

CAE data

ZUKEN Portal 2065-131	URL	Download
-----------------------	-----	----------

Environmental Product Compliance

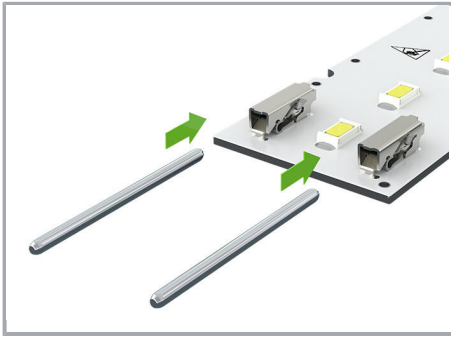
Compliance Search

Environmental Product Compliance 2065-131 Board-to-Board Link; Pin spacing 6.5 mm; Length: 15.6 mm; silver-colored	URL	Download
---	-----	----------

Installation Notes

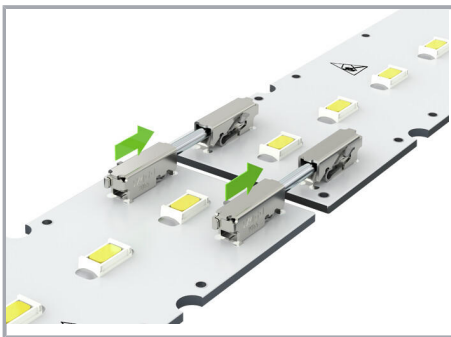
Installation

Subject to changes. Please also observe the further product documentation!



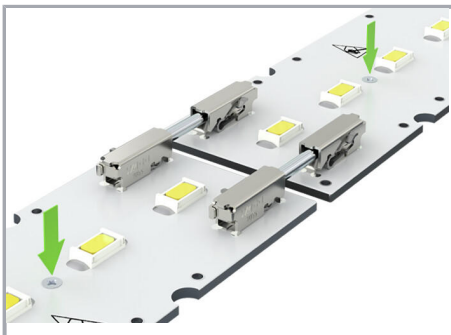
Insert the board-to-board links into the terminal blocks.

Installation



Assembly: Place PCBs on a flat surface and insert links into terminal blocks on adjoining PCBs. Disassembly: Open the terminal blocks with an operating tool. (max. 5 connections/disconnections)

Installation



The PCBs must be secured.

Subject to changes. Please also observe the further product documentation!