

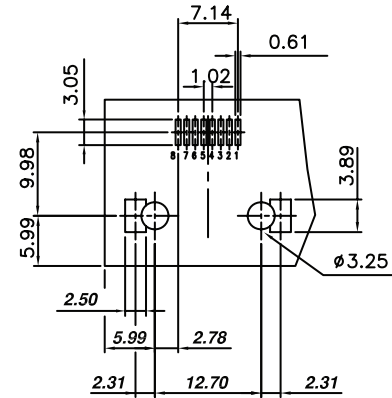
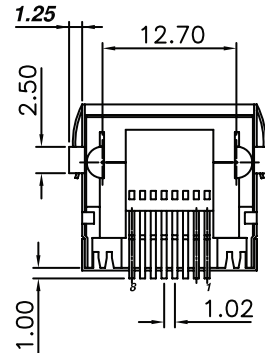
1

2

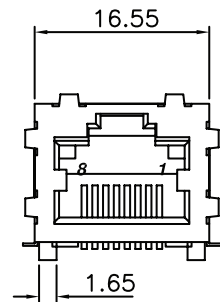
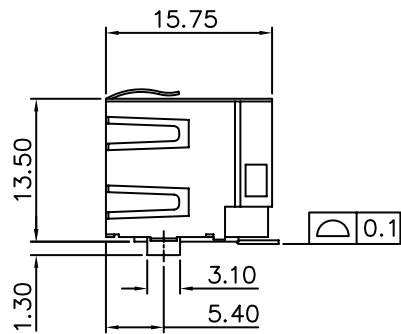
3

4

5



PCB LAYOUT - COMPONENT VIEW



TECHNICAL CHARACTERISTICS

MATERIAL

INSULATOR: - HOUSING: PA 9T
- INSERT HOUSING: PA 46

FLAMABILITY RATING: UL94-V0

COLOR: BLACK

CONTACT MATERIAL: COPPER ALLOY

CONTACT TYPE: STAMPED

CONTACT PLATING: SELECTIVE GOLD

SHIELDING: BRASS NI PLATED

QUALITY CLASS: 500 MATING CYLCES

ENVIRONMENTAL

OPERATING TEMPERATURE: -40°C UP TO +85°C

COMPLIANCE: LEAD FREE AND ROHS

ELECTRICAL

CURRENT RATING: 1.5A

WORKING VOLTAGE: 120V AC

INSULATION RESISTANCE: >500 MΩ

WITHSTANDING VOLTAGE: 1000 VAC/min

CONTACT RESISTANCE: 20 mΩ max

STANDARD

 CERTIFIED: E324776

SOLDERING

JEDEC LEAD FREE REFLOW SOLDERING PROCESS

PACKAGING

TRAY

RoHS Compliant

PROJECTION:



GENERAL TOLERANCE

.X = +/- 0.3

.XX = +/- 0.25



APPROVAL: RJ

UNIT: MM

SCALE:

SHEET: 1/1

DRAW: AS

DESCRIPTION: HORIZONTAL SHIELDED SMT WITH EMI PANEL FINGER 8P8C

SIZE

WERI PART NO: 634 008 149 721

A4

G			
F			
E			
D			
C			
B			
A	10-SEP-14	PDF	AS
REV	DATE	FILE	BY

1

2

3

4

5

Cautions and Warnings:

This electronic component is designed and developed with the intention for use in general electronics equipments.

Before incorporating the components into any equipments in the field such as aerospace, aviation, nuclear control, submarine, transportation, (automotive control, train control, ship control), transportation signal, disaster prevention, medical, public information network etc. where higher safety and reliability are especially required or if there is possibility of direct damage or injury to human body, Würth Elektronik must be asked for a written approval.

In addition, even electronic component in general electronic equipments, when used in electrical circuits that require high safety, reliability functions or performance, the sufficient reliability evaluation-check for the safety must be performed before by the user before usage.

A

B

C

RoHS Compliant

G				PROJECTION: 	GENERAL TOLERANCE .X = +/- 0.2 .XX = +/- 0.15		
F							
E							
D							
C				APPROVAL: JC	UNIT: MM	DESCRIPTION: DISCLAIMER	SIZE A4
B					SCALE:		
A	10-SEP-14	PDF	QL		SHEET: 1/1	WERI PART NO: DISCLAIMER	
REV	DATE	FILE	BY		DRAW: QL		

D

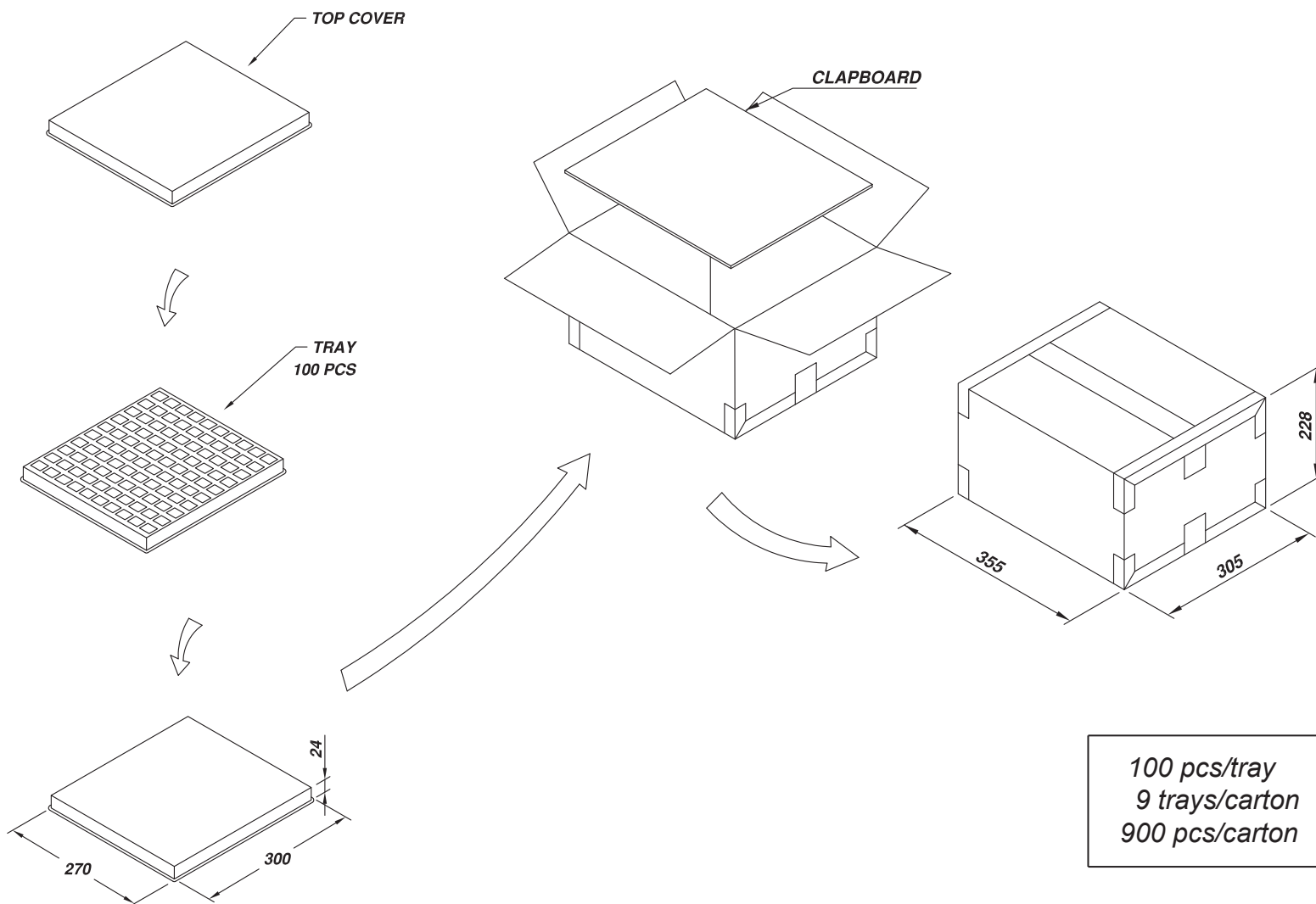
1

2

3

4

5



100 pcs/tray
 9 trays/carton
 900 pcs/carton

RoHS Compliant			
G			
F			
E			
D			
C			
B			
A	23-JUL-14	PDF	AS
REV	DATE	FILE	BY

PROJECTION:	
APPROVAL: RJ	

GENERAL TOLERANCE
.X = +/- 0.2
.XX = +/- 0.15
UNIT: MM
SCALE:
SHEET: 1/1
DRAW: AS

	DESCRIPTION: HORIZONTAL SHIELDED SMT WITH EMI PANEL FINGER 8P8C
	WERI PART NO: 634 008 149 721

SIZE
A4

A

B

C

D