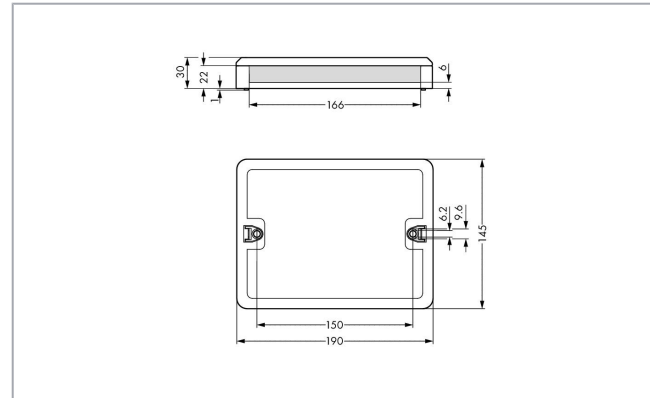
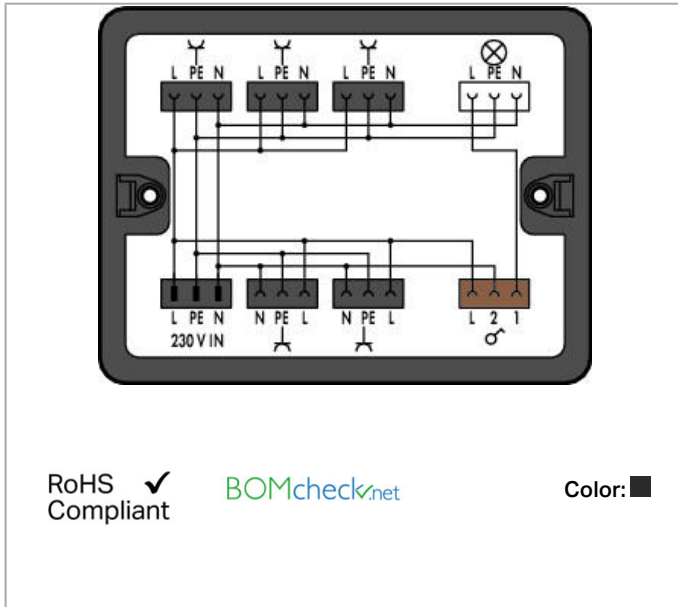


# Data sheet | Item number: 899-631/478-000

Distribution box; Single-pole switch circuit; 1 input; 7 outputs; Cod. A, S; MIDI; black



[www.wago.com/899-631/478-000](http://www.wago.com/899-631/478-000)



## Data

### Electrical data

Note on contact resistance

approx. 1 mΩ of contact resistance approx. 0.25 mΩ contact transition plug/socket

### Ratings per IEC/EN

Ratings per

IEC/EN 60664-1

Legend (ratings)

(III / 3) ≙ Overvoltage category III / Pollution degree 3

### Physical data

|        |                     |
|--------|---------------------|
| Width  | 190 mm / 7.48 inch  |
| Height | 30 mm / 1.181 inch  |
| Depth  | 145 mm / 5.709 inch |

### Mechanical data

|               |   |
|---------------|---|
| Mounting type | Wall, screw mount<br>Installation on mounting plate |
|---------------|---|

Subject to changes. Please also observe the further product documentation!

WAGO Kontakttechnik GmbH & Co. KG  
Hansastr. 27  
32423 Minden  
Phone: +49571 887-0 | Fax: +49571 887-169  
Email: [info.de@wago.com](mailto:info.de@wago.com) | Web: [www.wago.com](http://www.wago.com)

Do you have any questions about our products?  
We are always happy to take your call at +49 (571) 887-44222.

|                         |   |
|-------------------------|---|
| Protection type         | IP20  |
| Note on protection type | When mated: IP2xC (These compact connectors are not designed for use in open, easily accessible areas!) |

### Plug-in connection

|                               |   |
|-------------------------------|---|
| Mismating protection          | Yes   |
| Note on mismating protection  | All WINSTA <sup>®</sup> components are 100% protected against mismating when: a.) plugging different numbers of poles b.) plugging while rotated 180 c.) plugging while laterally staggered d.) plugging one pole |
| Locking of plug-in connection | locking lever   |

### Material data

|                     |  |
|---------------------|--|
| Color               | black                                    |
| Insulation material | Polyamide (PA66)                         |
| Contact material    | Copper or copper alloy (surface-treated) |
| Fire load           | 11.143 MJ                                |
| Weight              | 643.5 g                                  |

### Environmental requirements

|  |  |
|--|--|
| Processing temperature                   | -5 ... +40 °C                              |
| Continuous operating temperature         | -35 ... +85 °C                             |
| Note on continuous operating temperature | Insulating parts for temperatures ≤ 105 °C |

### Commercial data

|                       |               |
|-----------------------|---------------|
| Packaging type        | BOX           |
| Country of origin     | DE            |
| GTIN                  | 4055143941983 |
| Customs tariff number | 85366990990   |

### Counterpart



#### Item no.770-113

Plug; with strain relief housing; 3-pole; Cod. A; 4,00 mm<sup>2</sup>; black

[www.wago.com/770-113](http://www.wago.com/770-113)



#### Item no.770-103

Socket; with strain relief housing; 3-pole; Cod. A; 4,00 mm<sup>2</sup>; black

[www.wago.com/770-103](http://www.wago.com/770-103)

Subject to changes. Please also observe the further product documentation!

WAGO Kontakttechnik GmbH & Co. KG

Hansastr. 27

32423 Minden

Phone: +49571 887-0 | Fax: +49571 887-169

Email: [info.de@wago.com](mailto:info.de@wago.com) | Web: [www.wago.com](http://www.wago.com)

Do you have any questions about our products?

We are always happy to take your call at +49 (571) 887-44222.



**Item no.770-133**

Plug; with strain relief housing; 3-pole; Cod. A; 4,00 mm<sup>2</sup>; white

[www.wago.com/770-133](http://www.wago.com/770-133)



**Item no.770-1373**

Plug; 3-pole; Cod. S; 4,00 mm<sup>2</sup>; brown

[www.wago.com/770-1373](http://www.wago.com/770-1373)



**Item no.770-203**

Socket; 3-pole; Cod. A; 4,00 mm<sup>2</sup>; black

[www.wago.com/770-203](http://www.wago.com/770-203)



**Item no.770-213**

Plug; 3-pole; Cod. A; 4,00 mm<sup>2</sup>; black

[www.wago.com/770-213](http://www.wago.com/770-213)



**Item no.771-9993/006-101**

pre-assembled interconnecting cable; Eca; Socket/plug; 3-pole; Cod. A; H05VV-F 3G 1.5 mm<sup>2</sup>; 1 m; 1,50 mm<sup>2</sup>; black

[www.wago.com/771-9993/006-101](http://www.wago.com/771-9993/006-101)



**Item no.770-233**

Plug; 3-pole; Cod. A; 4,00 mm<sup>2</sup>; white

[www.wago.com/770-233](http://www.wago.com/770-233)



**Item no.771-9973/006-105**

pre-assembled interconnecting cable; Eca; Socket/plug; 3-pole; Cod. S; H05VV-F 3 x 1.5 mm<sup>2</sup>; 1 m; 1,50 mm<sup>2</sup>; brown

[www.wago.com/771-9973/006-105](http://www.wago.com/771-9973/006-105)



**Item no.771-9993/006-102**

pre-assembled interconnecting cable; Eca; Socket/plug; 3-pole; Cod. A; H05VV-F 3G 1.5 mm<sup>2</sup>; 1 m; 1,50 mm<sup>2</sup>; white

[www.wago.com/771-9993/006-102](http://www.wago.com/771-9993/006-102)

## Downloads

### Environmental Product Compliance

#### Compliance Search

Environmental Product Compliance 899-631/478-000

URL

Download

Distribution box; Single-pole switch circuit; 1 input; 7 outputs; Cod. A, S; MIDI; black

## Installation Notes

### Installation

Subject to changes. Please also observe the further product documentation!

WAGO Kontakttechnik GmbH & Co. KG

Hansastr. 27

32423 Minden

Phone: +49571 887-0 | Fax: +49571 887-169

Email: [info.de@wago.com](mailto:info.de@wago.com) | Web: [www.wago.com](http://www.wago.com)

Do you have any questions about our products?

We are always happy to take your call at +49 (571) 887-44222.



Securing the mounting plate with WINSTA®  
Distribution Box to the wall (e.g., via stud gun).

## Product family

### *WINSTA*® Boxen

WINSTA® ist das Steckverbindersystem, das optimal auf die hohen Anforderungen in der Gebäudeinstallation zugeschnitten ist. Es macht die Elektroinstallation steckbar und dadurch schnell, sicher und fehlerfrei. Dies gilt auch in weiteren Anwendungen wie z. B. im Schiffbau, in der Bahntechnik oder in der Industrie.

[Show all products from the family](#)

Subject to changes. Please also observe the further product documentation!