

Data sheet

231-704/008-000

**FEMALE PLUG WITH SNAP-IN MOUNTING FOOT
PIN SPACING 7.62 MM / 0.3 IN WITH MOUNTING FEET 209-137 ON TS 35 WITH
CODIG FINGERS**



Technical data

Package size 50 pieces.

Pin spacing from	7.62 mm
Pin spacing from	0.3 in
pole count	4
Cross section from [mm ²]	0.08 mm ²
Cross section to [mm ²]	2.5 mm ²
Cross section from [AWG]	28 AWG
Cross section to [AWG]	12 AWG
Voltage UL	300 V
Voltage CSA	300 V
Current UL	15 A
Current CSA	15 A
Measured voltage EN	400 V
Measured shock voltage	6 kV
Pollution degree	3
Current intensity EN	16 A
Weight	8.49 g
Color	orange
No. of connection Points	4
No. of potentials	4
Height	14.3 mm
Height	0.563 in
Width	29.44 mm
Width	1.159 in

Data sheet

231-704/008-000

**FEMALE PLUG WITH SNAP-IN MOUNTING FOOT
PIN SPACING 7.62 MM / 0.3 IN WITH MOUNTING FEET 209-137 ON TS 35 WITH
CODIG FINGERS**

Approval	Voltage	Current	Approval number	Notes
BBJ	400	16	B/12/699/03	
BV	400	16	11915/A0	
CCA	400	16	DK2127	
CSA	300	15	154112-1465035	
CSA	300	15	18677-30	
CSM	400	16	017956	
DEMKO	250		88126	
GL	400	16	17296-00HH	
KR	250/400	12/16	HMB05880-EL003	
LR	400	16	96/20035	
RMR	400	16	99.00007.250	
RosTesT	400	16	B09523	
UL	600	15	E45171	
UL	300	15	E45172	
VDE	400	16	5675ÜGBI.2	

Data sheet

231-704/008-000

**FEMALE PLUG WITH SNAP-IN MOUNTING FOOT
PIN SPACING 7.62 MM / 0.3 IN WITH MOUNTING FEET 209-137 ON TS 35 WITH
CODIG FINGERS**

Accessories

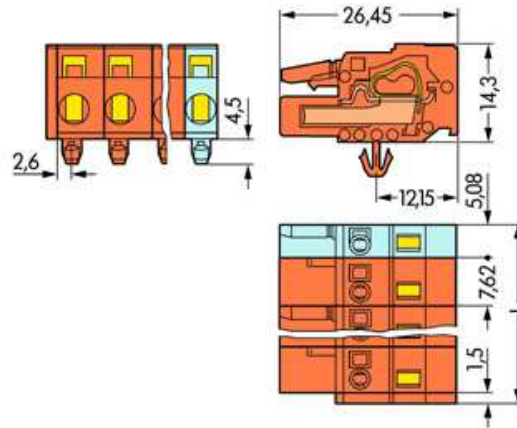
Item number

ISULATION STOP 0.08 - 0.2 MM ² / 0.2 MM ² S	231-673
ISULATION STOP 0.25 - 0.5 MM ²	231-674
ISULATION STOP 0.75 - 1 MM ²	231-675
LOCKOUT CAPS FOE COVERING UNUSED CLAMPING UNITS	231-669
MOUNTING CARRIER CAN BE USED AS END PLATE	209-137
OPERATING STICKER FOR MULTI CONNECTION SYSTEM	210-199
OPERATING TOOL FOR FEMALE AND MALE CONNECTORS WITH CAGE CLAMP	210-250
PUSH BUTTON FOR FEMALE CONNECTORS AND MALE CONNECTORS	231-131
SCREWDRIVER 3.5 X 0.5 MM / 0.137 X 0.019IN	210-257
SCREWDRIVER 3.5 X 0.5 MM / 0.137 X 0.019IN	210-258
SCREWDRIVER Type 2, bar (3,5 x 0,5) mm	210-120
SCREWDRIVER WITH PARTIALLY INSULATED SHAFT Type 2, bar (3,5 x 0,5) mm	210-620
SNAP-ON TYPE RELIEF HOUSING CONSISTING OF: STRAIN RELIEF SUPPORT/ HOUSING	232-684
TEST PLUG 2 MM / 0.079 IN WIDE	210-136
TEST PLUG 2.3 MM / 0.091 IN WIDE	210-137
TEST PLUG FOR FEMALE PLUGS FOR PIN SPACING 7.5 MM 7 0.295 IN AND 7.62 MM / 0.3 IN	231-662

Data sheet

231-704/008-000

FEMALE PLUG WITH SNAP-IN MOUNTING FOOT
PIN SPACING 7.62 MM / 0.3 IN WITH MOUNTING FEET 209-137 ON TS 35 WITH
CODIG FINGERS



Data sheet**231-704/008-000****FEMALE PLUG WITH SNAP-IN MOUNTING FOOT
PIN SPACING 7.62 MM / 0.3 IN WITH MOUNTING FEET 209-137 ON TS 35 WITH
CODIG FINGERS**

$$L = (\text{No. of poles} - 1) \times \text{pin spacing} + 5,08 \text{ mm} + 1,5 \text{ mm}$$