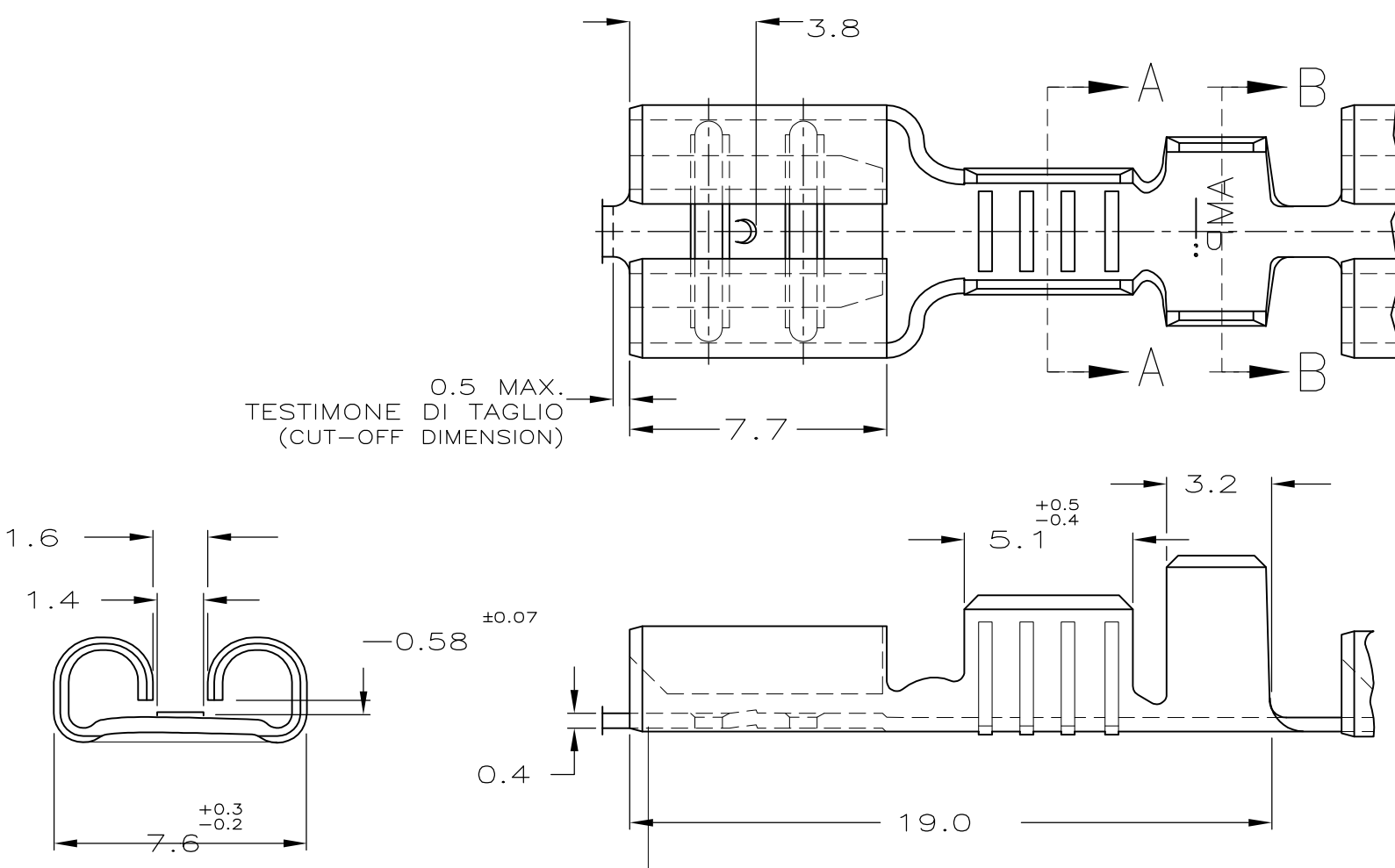


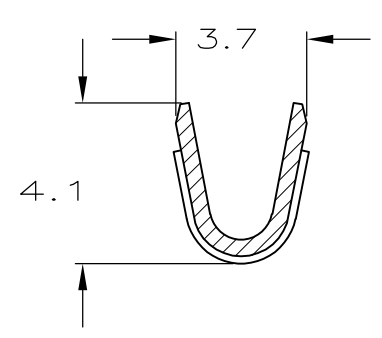
THIS DRAWING IS UNPUBLISHED. RELEASED FOR PUBLICATION  
 © COPYRIGHT - By - ALL RIGHTS RESERVED.

LOC	DIST	REVISIONS			
P	LTR	DESCRIPTION	DATE	DWN	APVD
-	-	CU7	REVISED PER ECO-11-005140	30MAR11	RK HMR

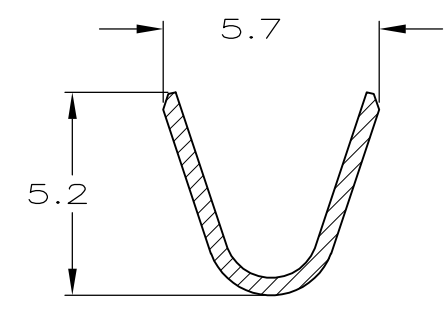


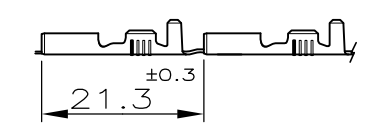
for 0.8 mm tab thickness.

SEZIONE A-A  
(SECTION A-A)



SEZIONE B-B  
(SECTION B-B)



- 1) STATO DI FORNITURA - SCALA 1:1  
(SUPPLY CONDITION - SCALE 1:1)  
  
 SENSO DI USCITA DEL TERMINALE DALLA BOBINA  
 (DIRECTION OFF TOP OF REEL)
- 2) SPECIFICA DI PRODOTTO 108-20019  
(PRODUCT SPEC. 108-20019)  
 SPECIFICA DI APPLICAZIONE 114-20023  
(APPLICATION SPEC. 114-20023).
- 3) PER LE VERSIONI IN PEZZI SCIOLTI  
 VEDERE DISEGNO 160304  
(FOR LOOSE PIECE VERSION SEE DRAWING 160304).
- 4) 115-16-1, GIUNZIONE MEDIANTE SALDATURA  
(115-16-1, SPLICE FREE).
- 5 BOBINATO CON CARTA INTERPOSTA  
(REELED WITH INTERLEAVE PAPER STRIP).
- 6 OBSOLETE PARTS: OBSOLETE CIS STREAMLINING PER D.RENAUD/D.SINISI

NOTE	FINITURA / COLORE (FINISH / COLOUR)	MATERIALE (MATERIAL)	NUMERO (PART NO)	REV
6 OBSOLETE	5 NUDO (UNPLATED)	BRONZO FOS. (PH. BRONZE)	4-160256-9	CU
	5 ARGENTATO (SILVER PLATED)	OTTONE (BRASS)	4-160256-7	CU
	5 NUDO (UNPLATED)	BRONZO FOS. (PH. BRONZE)	4-160256-5	CT
	5 PRE NICHELATO (PRE NICKEL PLATED)	ACCIAIO (STEEL)	4-160256-2	CT
	5 STAGNATO (TIN PLATED)	BRONZO FOS. (PH. BRONZE)	3-160256-1	CT
	5 NUDO (UNPLATED)	BRONZO FOS. (PH. BRONZE)	2-160256-8	CT
	5 STAGNATO (TIN PLATED)	OTTONE (BRASS)	2-160256-2	CU
	5 NUDO (UNPLATED)	OTTONE (BRASS)	2-160256-1	CT
	5 PRE NICHELATO (PRE NICKEL PLATED)	ACCIAIO (STEEL)	0-160256-5	CT

THIS DRAWING IS A CONTROLLED DOCUMENT.

DWN H. YAALI 27 JAN 2000  
 CHK C. TARTARI 27 JAN 2000  
 APVD -

PRODUCT SPEC -  
 APPLICATION SPEC -  
 WEIGHT -

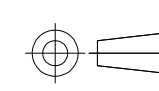
**STE** TE Connectivity

FASTON® Connector,  
 .250 sr. REC. CONTACT.

SIZE A3 CAGE CODE 00779 DRAWING NO C-160256 RESTRICTED TO -

CUSTOMER DRAWING SCALE 5:1 SHEET 1 OF 1 REV CU7

DIAM. ISOLANTE (INS. DIA. RANGE)	RANGO FILO (WIRE RANGE)
3.0-4.3mm DIA.	1.0-2.5 mm2

DIMENSIONS: mm	TOLERANCES UNLESS OTHERWISE SPECIFIED:
	0 PLC ± 0.3
	1 PLC ± -
	2 PLC ± -
	3 PLC ± -
	4 PLC ± -
	ANGLES ± 2°
MATERIAL	FINISH
-	-