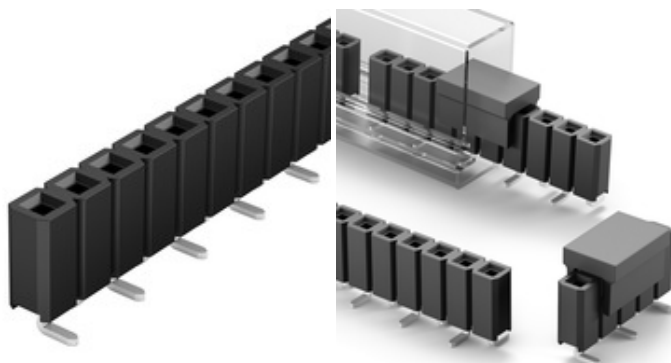


## Data sheet Product BL LP 5 SMD



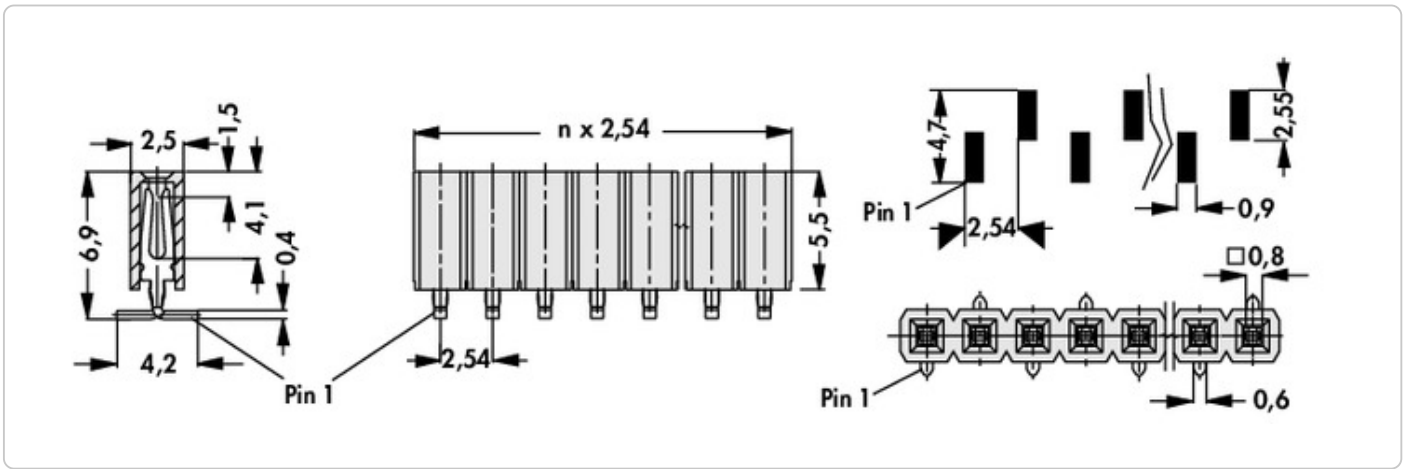
PCB connectors > Female headers

- for  $\square$  0.635 mm plug pins
- other number of contacts on request

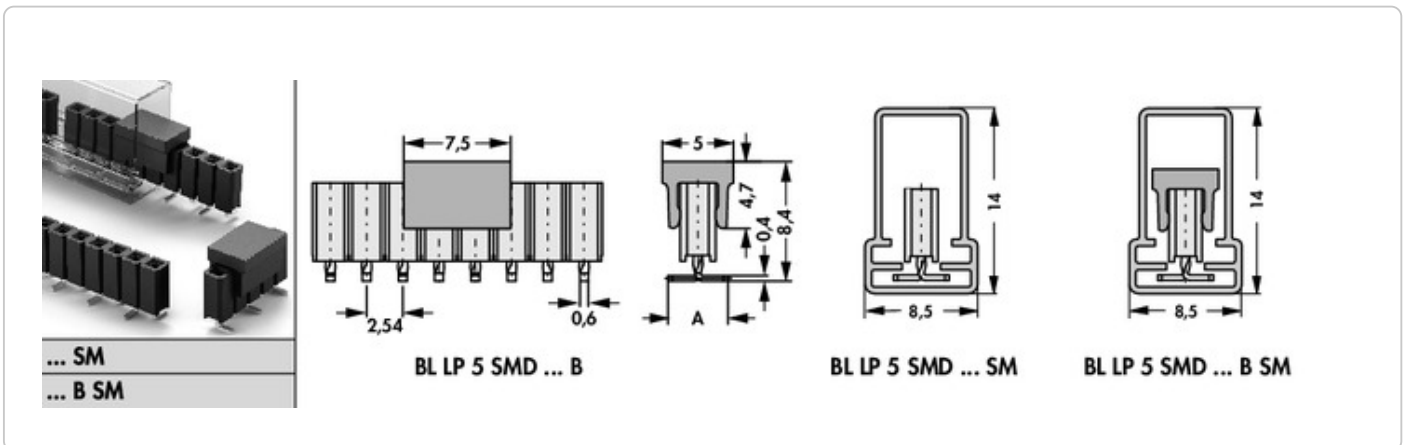
### Features

<b>grid</b>	2.54 mm
<b>no. of contacts</b>	4 - 20
<b>contact material</b>	CuSn alloy
<b>surface of contact</b>	<ul style="list-style-type: none"> <li>• selective gold-plated</li> <li>• tin-plated</li> </ul>
<b>surface contact / contact sleeve</b>	<ul style="list-style-type: none"> <li>• Ni+0.2<math>\mu</math>m Au (selective)</li> <li>• Ni+2...4<math>\mu</math>m Sn (matt finished tin)</li> </ul>
<b>type internal spring</b>	fork contact
<b>plugability for circuit points</b>	$\square$ 0,5...0,7mm
<b>insert depth</b>	2...4mm
<b>insertion / drawing force</b>	2N/1.5N
<b>volume resistance</b>	$\leq$ 10 m $\Omega$
<b>capacity between two adjacent contacts</b>	$\leq$ 0,9 pF
<b>nominal current</b>	3 A
<b>nominal voltage</b>	125 V AC
<b>test voltage</b>	1500 V
<b>insulating body material</b>	PPS
<b>temperature range</b>	<ul style="list-style-type: none"> <li>• -40°C... +200°C</li> <li>• (260°C/10 s)</li> </ul>
<b>class of flammibility</b>	UL 94 V-0
<b>specific insulation resistance</b>	$>10^{12} \Omega$
<b>connection type</b>	SMD
<b>reflow solderable</b>	yes
<b>packing</b>	<ul style="list-style-type: none"> <li>• bar magazine</li> <li>• pick and place pad and bar magazine</li> </ul>

## Technical Drawing



## Equipping



Fischer Elektronik GmbH & Co. KG  
DEUTSCHLAND • GERMANY • ALLEMAGNE

Nottebohmstraße 28  
58511 Lüdenscheid

Telefon +49 2351 435-0  
Telefax +49 2351 45754

info@fischerelektronik.de  
www.fischerelektronik.de