

# DATA SHEET

**WIRELESS COMPONENTS**

Ceramic Patch Antenna

ANT1606B00DT1575A

GPS

**PIN 16 × 6 × 4 mm**



FEATURES

- High radiation efficiency
- Pin-solder process
- RoHS compliant

APPLICATIONS

- Navigation device
- Telematics box
- Fleet management

ORDERING INFORMATION

All part numbers are identified by the series, packing type, material, size, antenna type, working frequency and packing quantity.

**PART NUMBER**

**ANT 1606 B 00D T I575A**  
 (1) (2) (3) (4) (5) (6)

---

**(1) PRODUCT**

ANT = Antenna

---

**(2) SIZE**

1606 = 16 × 6 mm

---

**(3) ANTENNA TYPE**

B = Bulk Antenna

---

**(4) SERIAL NO.**

00D

---

**(5) PACKING STYLE**

T = Tray

---

**(6) WORKING FREQUENCY**

I575= 1.575 GHz

---

**PHYCOMP CTC**

CAN43134460DI581B

---

**I2NC**

---

43134460DI58

---

**SPECIFICATION**

Table 1

DESCRIPTION	VALUE
Centre Frequency	1580 ± 2MHz
Bandwidth	8 MHz (Typ.)
Gain	-0.5 dBic (Typ.)
VSWR	2.0 Max.
Polarization	Linear
Impedance	50Ω
Operating Temperature	-40~105 °C

**NOTE**

1. Based on 100×50 mm<sup>2</sup> square ground plane.
2. Centre frequency will be offset to working frequency while changes of customer's housing and ground plane.
3. Please contact local sales if you need customized design to gain optimum antenna performance.

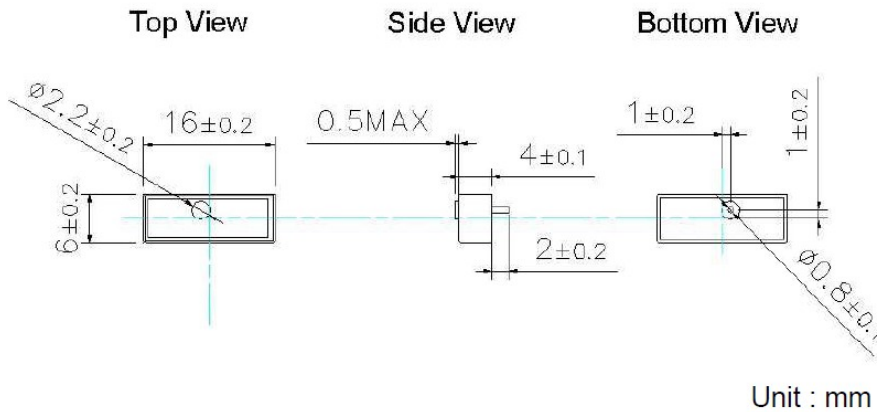
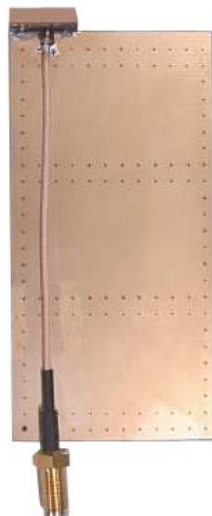


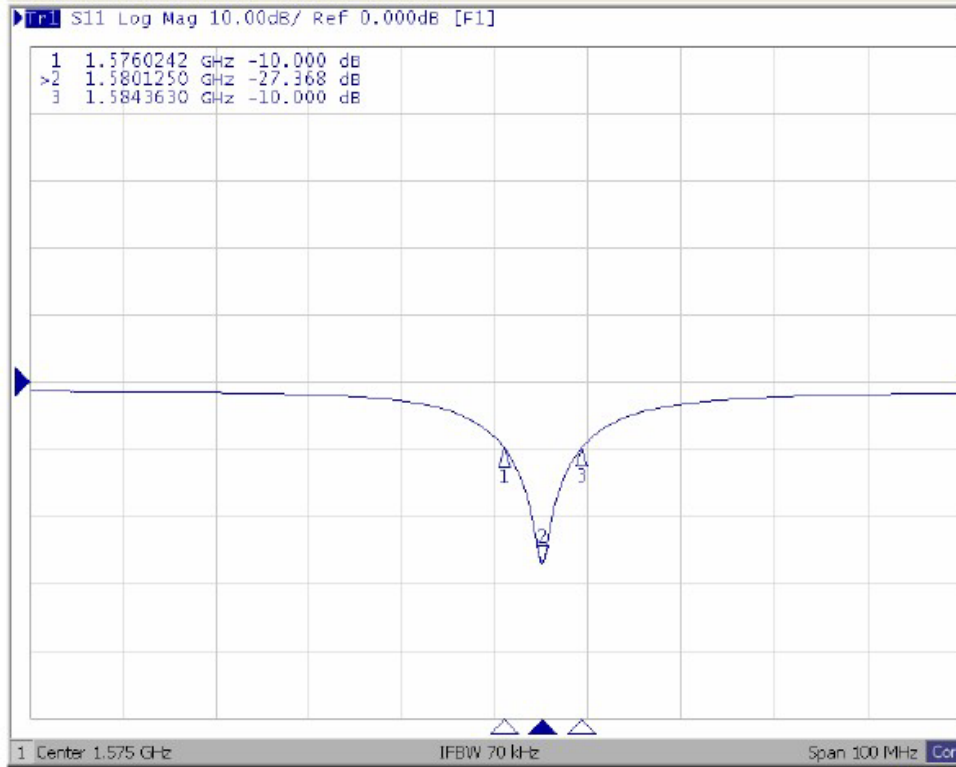
Fig. 1 Mechanical Data



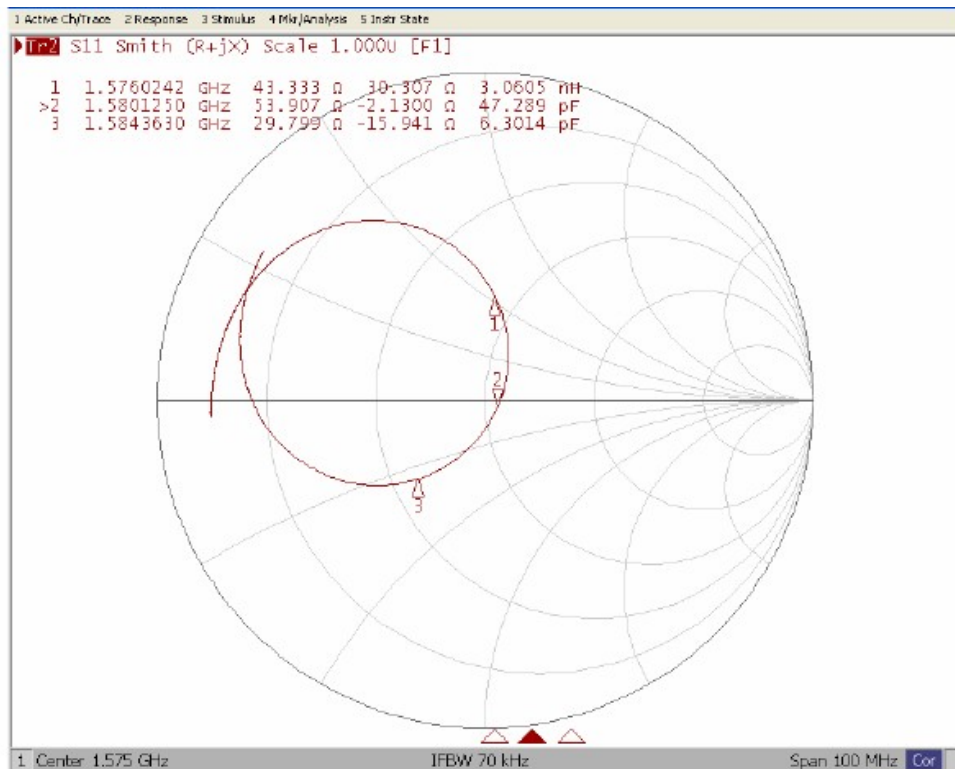
**100\*50 mm<sup>2</sup> PCB Board with 16\*6\*4 mm<sup>3</sup> GPS Antenna**

Fig. 2 Evaluation Board

**ELECTRICAL PERFORMANCES**



**Fig. 3** Return loss



**Fig. 4** Smith Chart

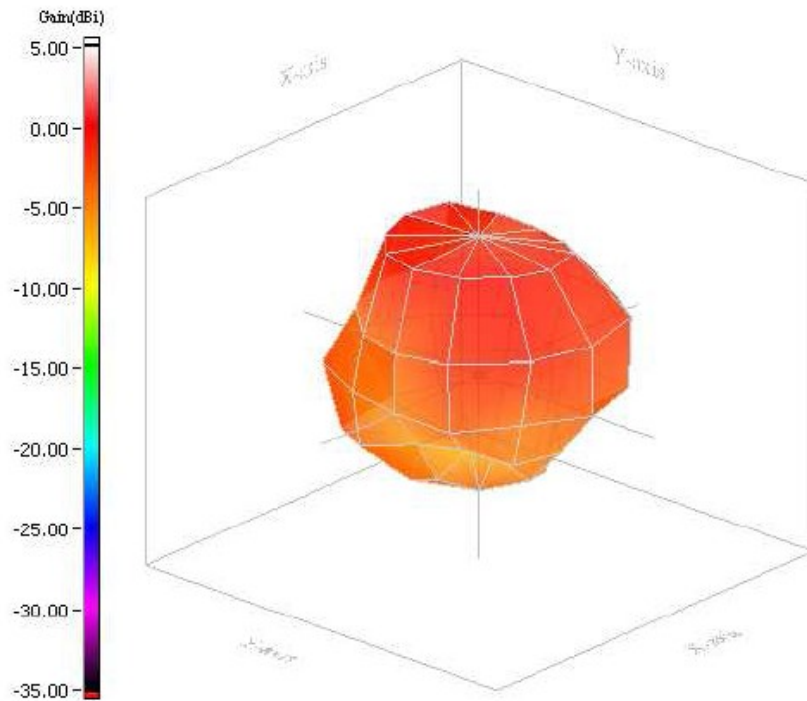
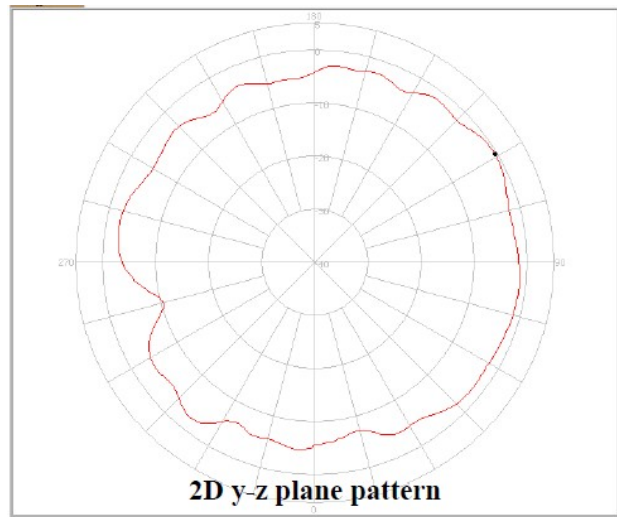
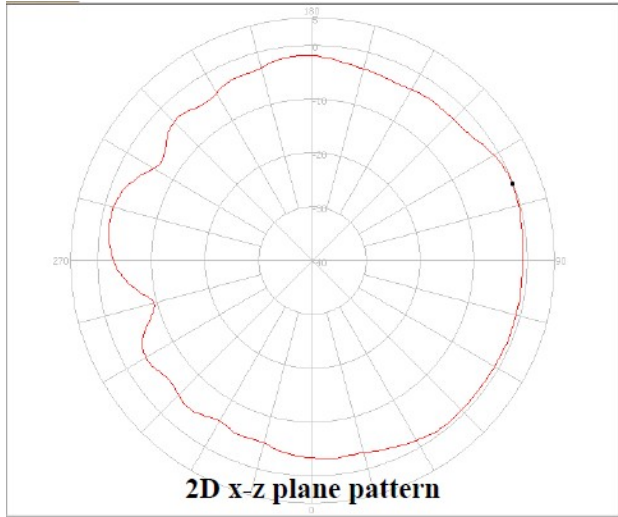


Fig. 5 Radiation Pattern (Frequency = 1580MHz)

REVISION HISTORYREVISION   DATE   CHANGE NOTIFICATION   DESCRIPTION

---

Version 0	Apr. 01, 2013	-	- New data sheet for Patch antenna, PIN Feed size 16×16×4 mm
-----------	---------------	---	--

---