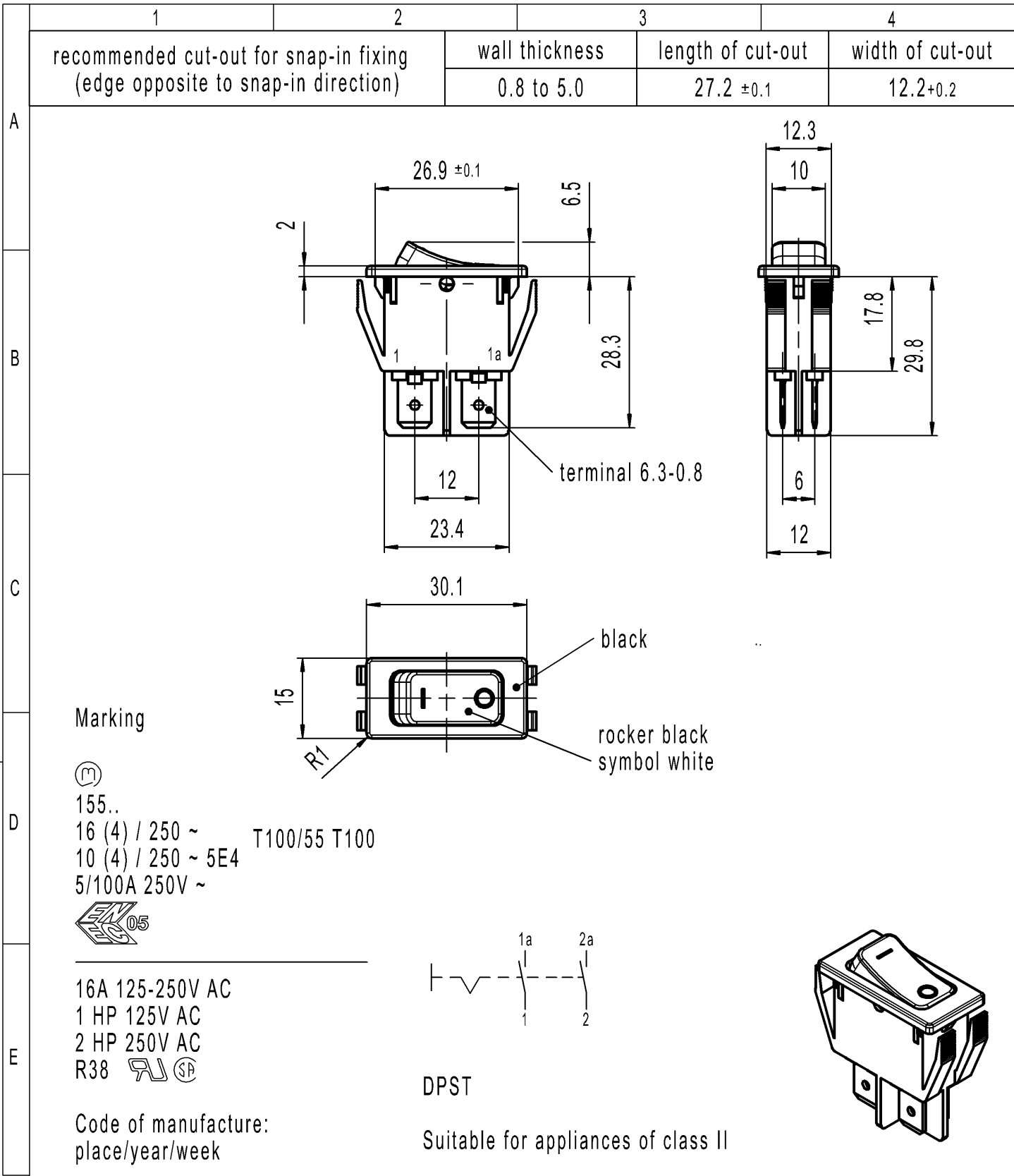


CONFIDENTIAL

VERTRAULICH

THIS DRAWING IS THE EXCLUSIVE PROPERTY OF MARQUARDT. WITHOUT THEIR CONSENT IT MAY NOT BE REPRODUCED OR GIVEN TO THIRD PARTIES.

Alle Rechte bei Marquardt, auch fuer den Fall von Schutzrechtsanmeldungen. Jede Verfuugungsbezugnis, wie Kopier- und Weitergaberecht, bei uns.



-	-	-	1552.3104-XX																																			
Figure	Type	Customer No.	Art.No.-PI																																			
Shape and location	Angle ± 2 °	Sheet 01																																				
	Edge tolerance	Ident. K	Document number 15523104																																			
	<table border="1" style="font-size: small;"> <thead> <tr> <th colspan="2">Length</th> <th colspan="2">Radii</th> </tr> <tr> <th>>0-6</th> <th>± 0.2</th> <th>>0-6</th> <th>± 0.2</th> </tr> </thead> <tbody> <tr> <td>>6-15</td> <td>± 0.4</td> <td>>6-15</td> <td>±</td> </tr> <tr> <td>>15-30</td> <td>± 0.4</td> <td>>15-30</td> <td>±</td> </tr> <tr> <td>>30-70</td> <td>± 0.6</td> <td>>30-200</td> <td>±</td> </tr> <tr> <td>>70-120</td> <td>±</td> <td></td> <td>±</td> </tr> <tr> <td>>120-200</td> <td>±</td> <td></td> <td>±</td> </tr> <tr> <td></td> <td>±</td> <td></td> <td>±</td> </tr> <tr> <td></td> <td>±</td> <td></td> <td>±</td> </tr> </tbody> </table>	Length		Radii		>0-6	± 0.2	>0-6	± 0.2	>6-15	± 0.4	>6-15	±	>15-30	± 0.4	>15-30	±	>30-70	± 0.6	>30-200	±	>70-120	±		±	>120-200	±		±		±		±		±		±	Index e
		Length		Radii																																		
>0-6	± 0.2	>0-6	± 0.2																																			
>6-15	± 0.4	>6-15	±																																			
>15-30	± 0.4	>15-30	±																																			
>30-70	± 0.6	>30-200	±																																			
>70-120	±		±																																			
>120-200	±		±																																			
	±		±																																			
	±		±																																			
e	134536	2020-11-02	MATHPATIR																																			
d	69572	2010-09-30	HHE																																			
b	23635	1995-11-10	RS																																			
a	21323	1992-04-22	MUT																																			
Index	MEC-No.	Date (YYYY-MM-DD)	Edited by																																			
		All dimensions are in millimetres																																				
		Format DIN A4	Projection Scale 1:1																																			
		System NX V11.0	Replacement of Zg.gl.Nr.v.09.01.1990																																			