

REV	ECN NO	REVISIONS	DRN	CKD	APP	DATE
A		NEW RELEASE	KLJ	N.O.	MES	11-16-07
B		UPDATED BLUE LED SPECS	KLJ	N.O.	MES	2-7-08

NOTES:

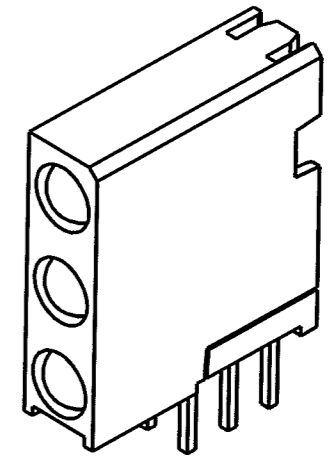
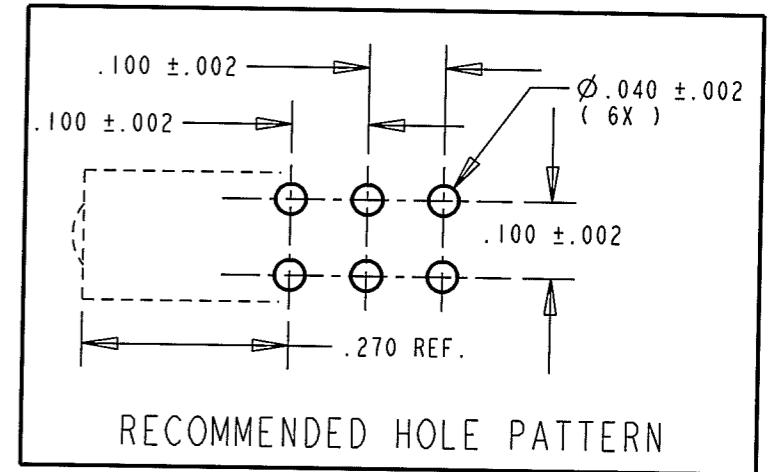
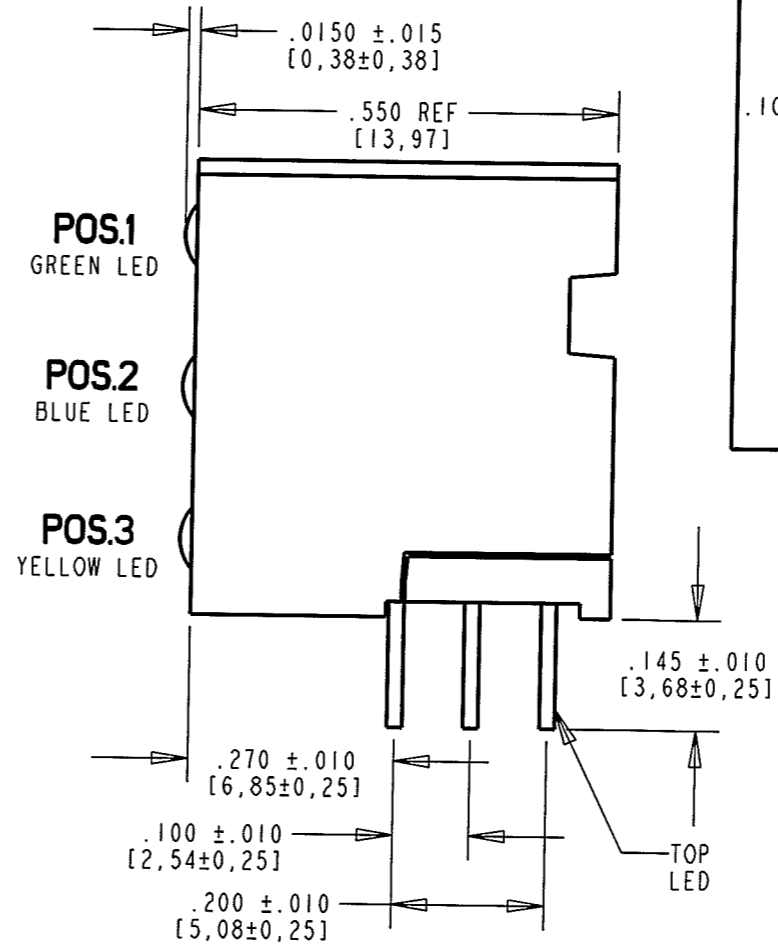
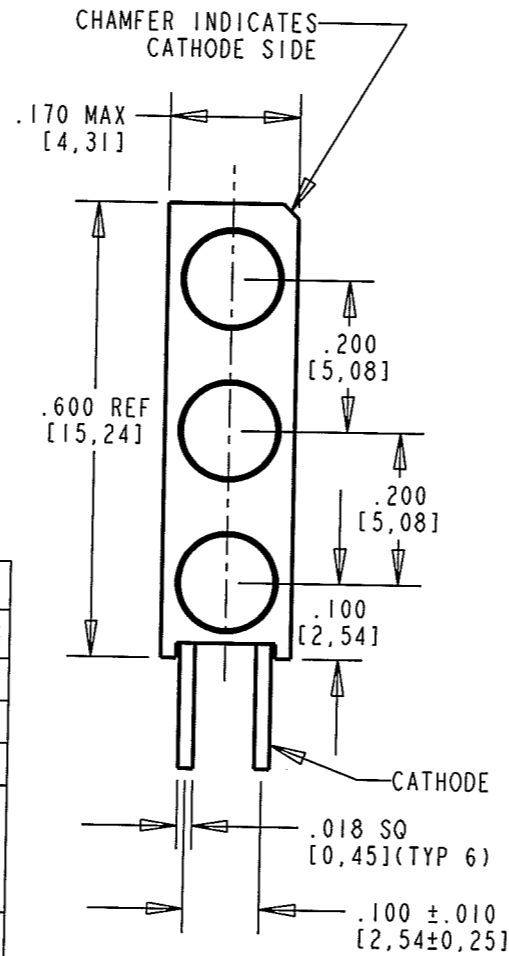
- LEADS TO FIT INTO HOLES SPACED AS PER HOLE PATTERN
- LEADS TO BE FREE OF DEFORMATION AFTER BENDING AND CUTTING
- LED LEAD DIMENSIONS SHOWN ARE MEASURED AT HOUSING EXIT
- DIALIGHT PART NUMBER: 564-2210-293F
- THIS ASSEMBLY CONTAINS ELECTROSTATIC DISCHARGE SENSITIVE DEVICES (ESDS). MAINTAIN ALL PRECAUTIONARY MEASURES DURING ASSEMBLY, HANDLING AND STORAGE IN ACCORDANCE WITH IPC-A-610.

**RoHS Compliant 564-2210-293F**

Part Numbers with the "F" suffix ending are RoHS Compliant. Packaging is marked with "RoHS Compliant" label or equivalent markings. Parts can be wave soldered, dip soldered or hand soldered using typical lead-free soldering process with max 260°C temp. for 5 sec.

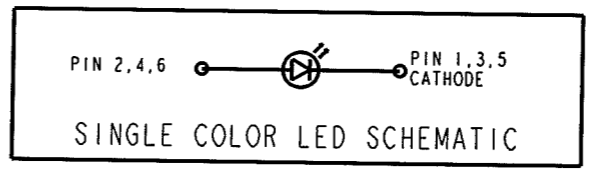
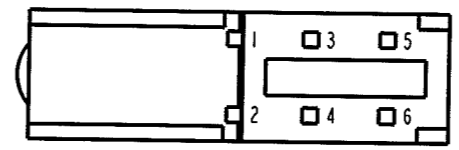


**ATTENTION:**  
OBSERVE PRECAUTIONS FOR  
HANDLING ELECTROSTATIC  
SENSITIVE DEVICES



OPERATING CHARACTERISTICS AT 25°C AMBIENT						
CHARACTERISTICS	LED COLOR	MIN	TYP	MAX	UNITS	TEST CONDITIONS
LUMINOUS INTENSITY	GREEN	32	50		mcd	$I_F = 10 \text{ mA}$
	BLUE	110		310		$I_F = 20 \text{ mA}$
	YELLOW	10		50		$I_F = 10 \text{ mA}$
FORWARD VOLTAGE	GREEN		2.1	2.8	V	$I_F = 20 \text{ mA}$
	BLUE		3.5	4.0		
	YELLOW		2.1	2.8		
REVERSE CURRENT	GREEN			100	$\mu\text{A}$	$V_R = 5 \text{ V}$
	BLUE			10		
	YELLOW			100		
PEAK WAVELENGTH	GREEN		565		nm	
	BLUE		470			
	YELLOW		585			

ABSOLUTE MAXIMUM RATING AT 25°C AMBIENT				
	UNITS	GREEN	BLUE	YELLOW
POWER DISSIPATION	mW	100	140	60
DERATE LINEARLY FROM 50°C FOR GREEN/YELLOW; 25°C FOR BLUE	$\text{mA}/^\circ\text{C}$	0.4	0.32	0.25
CONTINUOUS FORWARD CURRENT	mA	30	30	20
PEAK FORWARD CURRENT (1/10 DUTY CYCLE, 0.1 ms PULSE WIDTH)	mA	120	100	80
OPERATING TEMPERATURE	°C	-55 TO +100	-35 TO +85	-55 TO +100
STORAGE TEMPERATURE	°C	-55 TO +100	-35 TO +85	-55 TO +100
LEAD SOLDERING TEMPERATURE, 5 SEC., 1/16" FROM BODY	°C	260		



THIS DRAWING AND THE CONTENTS HEREIN ARE CONFIDENTIAL AND THE SOLE PROPERTY OF DIALIGHT. REPRODUCTION OF THIS DRAWING OR CONSTRUCTION OF ANY PARTS WITHIN THIS DRAWING ARE FORBIDDEN WITHOUT THE WRITTEN CONSENT OF DIALIGHT.

SCALE: DRAWING SCALE ALL DIM'S IN: INCHES (MM)	DRAWING NUMBER C-17570	REV B
TOLERANCES: UNLESS OTHERWISE SPECIFIED FRACTIONS: ±1/64 DECIMALS (.XX): ±.01 DECIMALS (.XXX): ±.005 DECIMALS (.XXXX): ±.0005 ANGLES: ±1°	TITLE EXTENDED TRI-LEVEL CBI BLOCK RoHS COMPLIANT	
FINISH:	MATERIAL	
FSCM 83330	Dialight 1501 ROUTE 34 SOUTH FARMINGDALE, NJ 07727	
SHEET 1 OF 1 FAMILY TABLE:		